



PIAGGIO & C.s.p.a.



## CATALOGUS RESERVEONDERDELEN



### **California Special Sport/Al. PI 1100 2002**

Voorvoegsel frame: ZGUKD

Voorvoegsel motor:



## Inhoudsopgave

Afgewerkte producten.....	4
Alfanumerieke inhoudsopgave.....	11
FRAME.....	18
Tafel 33.05 - Fuel supply.....	18
Tafel 33.07 - Air box.....	19
Tafel 33.08 - Exhaust unit.....	20
Tafel 33.14 - Gear lever.....	21
Tafel 33.15 - Transmission complete I.....	22
Tafel 33.16 - Transmission complete II.....	23
Tafel 33.17 - Frame.....	25
Tafel 33.18 - Cradle arm-Foot rests.....	27
Tafel 33.19 - Lateral stand.....	29
Tafel 33.20 - Fuel tank.....	30
Tafel 33.21 - Fuel vapour recover system.....	34
Tafel 33.22 - Saddle-Central bod.....	35
Tafel 33.23 - Front mudguard.....	37
Tafel 33.24 - Rear mudguard.....	38
Tafel 33.25 - F.fork-R.shock absorber.....	39
Tafel 33.26 - Front fork.....	40
Tafel 33.27 - Front wheel.....	42
Tafel 33.28 - Rear wheel.....	43
Tafel 33.29 - RH Front brake system.....	45
Tafel 33.30 - LH Front brake system.....	46
Tafel 33.31 - Rear brake caliper.....	48
Tafel 33.32 - Rear master cylinder.....	49
Tafel 33.33 - Handlebar - Controls.....	51
Tafel 33.34 - Dashboard.....	53
Tafel 33.35 - Front lights.....	56
Tafel 33.36 - Rear lights.....	58
Tafel 33.40 - Electrical systeme.....	60
Tafel 33.41 - Electrical system.....	62
ENGINE.....	64
Tafel 34.01 - Crank-case.....	64
Tafel 34.02 - Heads.....	66
Tafel 34.03 - Crankshaft - Piston.....	68
Tafel 34.04 - Timing system.....	69
Tafel 34.06 - Throttle body.....	70
Tafel 34.09 - Supply - Oil pump.....	71
Tafel 34.10 - Clutch.....	73
Tafel 34.11 - Transmission cage.....	74
Tafel 34.12 - Primary gear shaft.....	76
Tafel 34.13 - Driven shaft.....	77
Tafel 34.37 - Generator - Regulator.....	79



---

Tafel 34.38 - Starter motor I.....	80
Tafel 34.39 - Starter motor II.....	81



## Afgewerkte producten

Code	Geldigheid
9032533US202UNC	
9032534US401UNC	
9032534US402UNC	
9032534US403UNC	
9032534US404UNC	
9032534US405UNC	
903253705221UNC	
9032542US401AUNC	
9032543US402UNC	
903257405108UNC	
9032583US202UNC	
GU900056301101	
GU900056301701	
GU900056301702	
GU900056301902	
GU900056305101	
GU900056305102	
GU900056305115	
GU900056305701	
GU900056305702	
GU900056305705	
GU900056305710	
GU900056305717	
GU900056321102	
GU900056321115	
GU9032211US503	
GU9032529EU301	
GU9032533US201	
GU9032533US202	
GU9032533US401	
GU9032533US402	
GU9032533US403	
GU9032534US202	
GU9032534US203	
GU9032534US400	
GU9032534US401	
GU9032534US402	
GU9032534US403	
GU9032534US404	
GU9032534US405	
GU903253501201	
GU903253501208	



Code	Geldigheid
GU903253501221	
GU903253505201	
GU903253505208	
GU903253505221	
GU903253506201	
GU903253506208	
GU903253506221	
GU903253508201	
GU903253509208	
GU9032536AU201	
GU9032536AU202	
GU9032536AU203	
GU9032536AU304	
GU9032536AU305	
GU9032536EU201	
GU9032536EU202	
GU9032536EU203	
GU9032536EU304	
GU9032536EU305	
GU9032536GB201	
GU9032536GB202	
GU9032536GB203	
GU9032536GB304	
GU9032536GB305	
GU9032536JP201	
GU9032536JP202	
GU9032536JP203	
GU903253701221	
GU903253705221	
GU903253706221	
GU903253707221	
GU903253708221	
GU903253709221	
GU9032538AU201	
GU9032538AU202	
GU9032538AU203	
GU9032538AU304	
GU9032538EU201	
GU9032538EU202	
GU9032538EU203	
GU9032538EU304	
GU9032538EU305	
GU9032538GB201	
GU9032538GB202	
GU9032538GB203	



Code	Geldigheid
GU9032538GB304	
GU9032538GB305	
GU9032538JP201	
GU9032538JP202	
GU9032538JP203	
GU9032538JP305	
GU9032538NZ202	
GU9032542US201	
GU9032542US203	
GU9032542US401	
GU9032542US402	
GU9032542US403	
GU9032543US202	
GU9032543US203	
GU9032543US402	
GU9032543US403	
GU903254505208	
GU903254505215	
GU903254505219	
GU903254505221	
GU9032546AU201	
GU9032546AU202	
GU9032546AU203	
GU9032546EU201	
GU9032546EU202	
GU9032546EU203	
GU9032546GB201	
GU9032546GB202	
GU9032546GB203	
GU9032546JP201	
GU9032546JP202	
GU9032546JP203	
GU9032546NZ201	
GU9032547AU202	
GU9032547AU203	
GU9032547EU202	
GU9032547EU203	
GU9032547GB202	
GU9032547GB203	
GU9032547JP202	
GU9032547JP203	
GU9032547NZ202	
GU9032547NZ203	
GU903254805205	
GU903254805226	



Code	Geldigheid
GU903255601203	
GU903255601222	
GU903255605203	
GU903255605222	
GU903255608203	
GU903255608222	
GU903256401906	
GU903256601802	
GU903256601805	
GU903256601808	
GU903256601905	
GU903256601908	
GU903256601909	
GU903256605802	
GU903256605805	
GU903256605808	
GU903256605809	
GU903256605820	
GU903256605905	
GU903256605908	
GU903256621905	
GU903256621908	
GU903256701805	
GU903256701815	
GU903256705801	
GU903256705805	
GU903256705815	
GU903256705821	
GU903256721801	
GU903256721805	
GU903256721815	
GU903256721821	
GU903257201108	
GU903257201115	
GU903257201119	
GU903257201121	
GU903257205115	
GU903257221108	
GU903257221115	
GU903257301103	
GU903257301122	
GU903257305103	
GU903257305122	
GU903257401108	
GU903257401115	



Code	Geldigheid
GU903257401121	
GU903257401123	
GU903257405108	
GU903257405121	
GU903257405123	
GU903257421108	
GU903257421121	
GU903257421123	
GU903258105227	
GU9032582AU202	
GU9032582EU201	
GU9032582EU202	
GU9032582GB201	
GU9032582GB202	
GU9032582JP201	
GU9032582JP202	
GU9032582NZ202	
GU9032583EU700	
GU9032583EU701	
GU9032583US201	
GU9032583US202	
GU9032583US402	
GU9032584AU601	
GU9032584CA701	
GU9032584CA900	
GU9032584CA901	
GU9032584CA902	
GU9032584EU600	
GU9032584EU601	
GU9032584EU800	
GU9032584EU801	
GU9032584EU802	
GU9032584GB601	
GU9032584GB800	
GU9032584GB801	
GU9032584GB802	
GU9032584JP601	
GU9032584JP800	
GU9032584JP801	
GU9032584JP802	
GU9032585AU601	
GU9032585AU602	
GU9032585AU603	
GU9032585AU704	
GU9032585EU600	





Code	Geldigheid
GU9032585EU601	
GU9032585EU602	
GU9032585EU603	
GU9032585EU700	
GU9032585EU704	
GU9032585GB600	
GU9032585GB601	
GU9032585GB602	
GU9032585GB700	
GU9032585GB704	
GU9032585JP601	
GU9032585JP602	
GU9032586AU601	
GU9032586AU602	
GU9032586EU601	
GU9032586EU602	
GU9032586EU603	
GU9032586GB601	
GU9032586GB602	
GU9032586GB603	
GU9032586JP601	
GU9032586JP602	
GU903259101205	
GU903259101226	
GU903259106205	
GU903259106226	
GU903259107205	
GU903259107226	
GU903259109226	
GU903259301123	
GU903259305123	
GU903259306123	
GU903259307123	
GU903259308123	
GU903259321123	
GU903259401127	
GU903259405127	
GU903259406127	
GU903259407127	
GU903259408127	
GU903259409127	
GU903259501105	
GU903259501126	
GU903259505126	
GU903259601121	



Code	Geldigheid
GU903259701208	
GU903259701215	
GU903259701219	
GU903259701221	
GU903259705208	
GU903259705215	
GU903259705219	
GU903259705221	
GU903259706208	
GU903259706215	
GU903259706219	
GU903259706221	
GU903259707215	
GU903259707219	
GU903259708208	
GU903259708215	
GU903259708219	
GU903259708221	
GU903259709208	
GU903259709215	
GU903259801203	
GU903259801222	
GU903259805203	
GU903259805222	
GU903259807203	
GU903259821203	
GU903259821222	
GU9032700US602	



Code	N.Tafel	Pos.	Code	N.Tafel	Pos.	Code	N.Tafel	Pos.
0000000	34.38	5	GU01722705	33.40	20	GU03093065	33.33	21
0000000	34.38	6	GU01732530	33.40	3	GU03100200	33.20	1
0000000	34.38	7	GU01732530	33.41	21	GU03100220	33.20	1
0000000	34.38	8	GU01743790	33.35	19	GU03100267	33.20	1
GU00155930171	33.24	3	GU01743791	33.35	20	GU03101600	33.20	9
GU00823931055	33.18	40	GU01744200	33.35	25	GU03101720	33.20	10
GU00823931055	33.20	28	GU01756100	33.35	3	GU03101900	33.20	6
GU00823931070	33.22	17	GU01756220	33.35	6	GU03102200	33.20	8
GU00823931080	33.17	17	GU01760400	33.34	4	GU03102400	33.20	7
GU00823931080	34.39	3	GU01762031	33.34	14	GU03103000	33.20	18
GU00823931082	33.22	9	GU01762090	33.34	14	GU03103200	33.20	11
GU00823944050	33.07	17	GU01763030	33.34	10	GU03103500	33.20	29
GU00823944050	33.41	29	GU01766031	33.34	18	GU03103920	33.20	5
GU00823950050	33.32	11	GU01766240	33.34	26	GU03103950	33.20	5
GU00823952080	33.05	15	GU01782500	33.34	6	GU03105300	33.20	17
GU00823956050	33.21	6	GU01941030	34.02	40	GU03106400	33.20	4
GU00823956060	33.21	5	GU02517700	34.01	18	GU03106500	33.05	7
GU00823956080	33.07	12	GU02573900	33.22	29	GU03107630	33.05	26
GU00823956080	33.21	7	GU02746900	33.35	2	GU03112560	34.06	1
GU00823956080	34.09	30	GU02747901	33.41	11	GU03113360	34.06	18
GU00823956080	34.11	28	GU02761500	33.34	1	GU03113365	34.06	18
GU01001630	34.01	21	GU02761900	33.34	35	GU03113460	34.06	19
GU01007200	34.09	31	GU02762000	33.34	36	GU03113465	34.06	19
GU01023560	34.02	36	GU02762301	33.34	13	GU03116745	33.41	28
GU01037030	34.02	42	GU02762400	33.34	1	GU03117545	33.33	6
GU01038730	34.02	41	GU02762800	33.34	3	GU03117565	33.33	6
GU01051700	34.04	8	GU02764000	33.34	12	GU03120930	33.08	1
GU01054000	34.04	5	GU02764000	33.34	12	GU03120931	33.08	2
GU01054500	34.04	9	GU02766300	33.34	31	GU03120960	33.08	1
GU01061532	34.03	14	GU02767200	33.34	9	GU03120961	33.08	2
GU01062030	34.03	17	GU02768200	33.34	28	GU03121230	33.08	22
GU01062031	34.03	17	GU02768400	33.34	29	GU03122570	33.08	23
GU01062032	34.03	17	GU02768600	33.34	7	GU03122900	33.08	15
GU01062033	34.03	17	GU02781101	33.34	30	GU03123000	33.08	10
GU01062230	34.03	15	GU03000730	34.01	1	GU03123400	33.08	17
GU01105460	33.20	34	GU03000760	34.01	1	GU03123900	33.08	8
GU01112800	33.05	18	GU03001460	34.01	15	GU03128600	33.08	11
GU01112900	33.05	17	GU03001600	34.01	21	GU03128601	33.08	4
GU01116031	33.21	2	GU03003561	34.01	26	GU03128700	33.08	16
GU01121030	33.08	5	GU03013800	33.05	5	GU03132845	33.33	14
GU01153602	34.09	23	GU03013800	33.07	7	GU03132865	33.33	14
GU01336800	33.28	12	GU03013800	33.14	8	GU03158200	34.09	12
GU01474630	33.36	18	GU03013800	33.17	18	GU03163330	33.40	35
GU01517700	33.25	21	GU03013800	33.18	22	GU03200260	34.11	1
GU01517700	33.26	36	GU03013800	33.19	23	GU03200860	34.11	11
GU01517700	34.39	2	GU03013800	33.25	14	GU03211160	34.12	8
GU01528930	33.16	9	GU03013800	33.28	17	GU03211260	34.12	9
GU01528930	34.11	26	GU03013800	33.30	13	GU03211660	34.12	11
GU01530500	34.06	3	GU03013800	33.40	40	GU03212000	34.12	17
GU01530504	34.06	2	GU03013800	33.41	7	GU03214500	34.13	13
GU01609630	33.33	11	GU03022130	34.02	1	GU03214800	34.13	11
GU01652230	33.30	1	GU03023565	34.02	36	GU03215100	34.13	5
GU01652330	33.29	16	GU03030230	34.02	25	GU03234400	34.13	20
GU01654630	33.29	20	GU03030430	34.02	26	GU03236250	34.13	34
GU01654630	33.30	33	GU03036000	34.02	6	GU03250845	33.14	1
GU01659130	33.29	22	GU03036100	34.02	5	GU03251045	33.14	3
GU01659130	33.30	6	GU03045030	34.04	20	GU03256800	33.14	11
GU01659131	33.29	23	GU03045830	34.04	21	GU03257631	33.14	9
GU01659131	33.30	31	GU03048230	34.04	22	GU03257730	33.14	22
GU01659230	33.29	21	GU03048330	34.04	23	GU03257800	33.14	20
GU01659230	33.30	5	GU03053330	34.04	3	GU03258250	33.14	21
GU01721600	33.40	16	GU03060130	34.03	1	GU03270300	33.08	19
GU01722700	33.40	20	GU03060132	34.03	1	GU03270300	33.17	9
GU01722701	33.40	20	GU03060230	34.03	3	GU03270300	33.18	10
GU01722702	33.40	20	GU03067030	34.03	20	GU03270300	33.19	12
GU01722703	33.40	20	GU03084400	34.10	3	GU03270300	33.25	20
GU01722704	33.40	20	GU03093045	33.33	21	GU03270300	34.01	13



Code	N.Tafel	Pos.	Code	N.Tafel	Pos.	Code	N.Tafel	Pos.
GU03328050	33.15	12	GU03474530	33.36	19	GU03603560	33.33	4
GU03350250	33.16	1	GU03475330	33.36	25	GU03603860	33.33	2
GU03351450	33.16	28	GU03475830	33.36	1	GU03604245	33.33	9
GU03400151	33.17	1	GU03475860	33.36	1	GU03604845	33.29	5
GU03420331	33.18	1	GU03475866	33.36	1	GU03605545	33.33	16
GU03422130	33.18	2	GU03475931	33.36	2	GU03605645	33.29	2
GU03429500	33.18	12	GU03476265	33.22	16	GU03610340	33.27	1
GU03429600	33.19	25	GU03476266	33.22	22	GU03610840	33.27	12
GU03429765	33.19	16	GU03476267	33.22	16	GU03611445	33.18	9
GU03429865	33.19	17	GU03476365	33.22	20	GU03611445	33.27	8
GU03432060	33.19	1	GU03476366	33.22	33	GU03611640	33.27	5
GU03432740	33.19	7	GU03476367	33.22	20	GU03611740	33.28	8
GU03433850	33.19	10	GU03478165	33.22	30	GU03611741	33.27	6
GU03434300	33.23	1	GU03478265	33.22	23	GU03614101	33.27	9
GU03434360	33.23	1	GU03478330	33.22	28	GU03615640	33.27	16
GU03434365	33.23	18	GU03478331	33.22	24	GU03616340	33.27	10
GU03434366	33.23	18	GU03479545	33.17	20	GU03620340	33.27	14
GU03435200	33.23	2	GU03490261	33.25	1	GU03630650	33.28	1
GU03435300	33.23	5	GU03490630	33.26	29	GU03630740	33.28	26
GU03435400	33.23	3	GU03490730	33.26	27	GU03632440	33.28	22
GU03435500	33.23	6	GU03493100	33.26	7	GU03633350	33.28	11
GU03436300	33.23	9	GU03494000	33.26	11	GU03634150	33.28	19
GU03436300	34.39	6	GU03496130	33.35	8	GU03634850	33.31	12
GU03436400	33.23	7	GU03496230	33.35	11	GU03635701	33.28	9
GU03436500	33.23	8	GU03498100	33.26	8	GU03635851	33.31	6
GU03436600	33.23	12	GU03500260	33.26	4	GU03653001	33.31	1
GU03437130	33.24	1	GU03500265	33.33	27	GU03654600	33.31	2
GU03437160	33.24	1	GU03500660	33.26	2	GU03656200	33.30	20
GU03437166	33.24	1	GU03500665	33.33	28	GU03657101	33.29	13
GU03437430	33.24	6	GU03522501001	33.26	30	GU03657165	33.29	13
GU03437730	33.24	2	GU03522601001	33.26	28	GU03657500	33.31	7
GU03437765	33.24	2	GU03525440	33.26	19	GU03658201	33.29	15
GU03437830	33.24	4	GU03526600	33.26	18	GU03658201	33.30	9
GU03437865	33.24	4	GU03530270	33.25	9	GU03658330	33.30	8
GU03438030	33.24	10	GU03530503	33.26	9	GU03658430	33.29	14
GU03438830	33.36	23	GU03530510	33.26	20	GU03658500	33.32	14
GU03438831	33.36	24	GU03530521	33.26	34	GU03658801	33.30	7
GU03440730	33.18	41	GU03530524	33.26	22	GU03659700	33.29	6
GU03441130	33.18	46	GU03530525	33.26	23	GU03660145	33.29	1
GU03441830	33.18	42	GU03530526	33.26	24	GU03661145	33.29	10
GU03442200	33.18	24	GU03530527	33.26	25	GU03664045	33.29	3
GU03443565	33.18	15	GU03530528	33.26	26	GU03667300	33.30	25
GU03443730	33.18	43	GU03530529	33.26	32	GU03668200	33.30	21
GU03443930	33.18	8	GU03530530	33.26	33	GU03668500	33.30	18
GU03444230	33.18	11	GU03530541	33.26	13	GU03668801	33.30	24
GU03446065	33.18	17	GU03530548	33.26	12	GU03668900	33.30	26
GU03446930	33.18	3	GU03530549	33.26	14	GU03669000	33.33	26
GU03446965	33.18	3	GU03530550	33.26	15	GU03669001	33.33	25
GU03447450	33.18	4	GU03530551	33.26	16	GU03675930	33.32	21
GU03447465	33.18	4	GU03530552	33.26	17	GU03704540	33.41	26
GU03459330	33.22	11	GU03530553	33.26	21	GU03704550	33.41	18
GU03459331	33.22	14	GU03531000	33.25	8	GU03707140	33.41	9
GU03459830	33.17	10	GU03531800	33.25	7	GU03717450	33.40	14
GU03460560	33.22	1	GU03540250	33.15	1	GU03718350	33.40	12
GU03462345	33.17	24	GU03541850	33.25	16	GU03725830	33.40	1
GU03462801	33.20	25	GU03547800	33.15	4	GU03729230	33.40	5
GU03464060	33.22	2	GU03550260	33.25	15	GU03729531	33.40	2
GU03466930	33.22	6	GU03555250	33.16	34	GU03729565	33.40	2
GU03466960	33.22	6	GU03558130	33.22	5	GU03733000	34.39	7
GU03466966	33.22	6	GU03558165	33.22	5	GU03733200	34.39	10
GU03467330	33.22	4	GU03558230	33.22	7	GU03733265	34.39	10
GU03467343	33.17	23	GU03558265	33.22	7	GU03733300	34.39	1
GU03467360	33.22	4	GU03578730	33.24	15	GU03733365	34.39	1
GU03467366	33.22	4	GU03600360	33.33	1	GU03733400	34.39	8
GU03469200	33.17	12	GU03600365	33.33	1	GU03733500	34.39	9
GU03472460	33.20	22	GU03602760	33.33	12	GU03736820	33.20	19
GU03472960	33.20	23	GU03603060	33.33	10	GU03736850	33.20	19



Code	N.Tafel	Pos.	Code	N.Tafel	Pos.	Code	N.Tafel	Pos.
GU03738045	33.33	8	GU03945450	33.22	32	GU14018400	34.02	24
GU03738500	33.40	38	GU03991060	34.01	35	GU14020865	34.03	10
GU03738845	33.33	5	GU03991061	34.01	35	GU14023760	34.02	37
GU03738846	33.33	5	GU03991065	34.01	35	GU14030201	34.02	25
GU03740430	33.35	23	GU03991066	34.01	35	GU14030401	34.02	26
GU03740431	33.35	23	GU03991560	34.11	20	GU14034865	34.02	22
GU03740438	33.35	24	GU03991570	34.11	20	GU14036860	34.02	4
GU03740531	33.35	1	GU03995730	33.20	31	GU14037300	34.02	9
GU03740535	33.35	1	GU04211500	34.12	10	GU14038000	34.02	13
GU03740930	33.36	10	GU10032700	34.02	32	GU14072001	34.04	12
GU03741230	33.36	13	GU10034100	34.02	29	GU14085700	34.10	6
GU03742030	33.36	15	GU12001200	34.01	14	GU14085900	34.10	7
GU03744760	33.35	21	GU12003702	34.01	29	GU14086000	34.10	8
GU03747150	33.41	1	GU12003900	34.01	2	GU14086100	34.10	10
GU03747200	33.34	22	GU12006400	33.05	22	GU14090202	34.10	12
GU03747200	33.41	2	GU12006400	33.31	11	GU14090400	34.10	14
GU03747265	33.34	22	GU12006400	34.09	21	GU14152200	34.09	8
GU03747265	33.41	2	GU12007600	34.09	34	GU14201110	34.11	10
GU03748440	33.41	8	GU12011400	34.01	37	GU14204955	34.11	27
GU03749845	33.29	7	GU12011401	34.01	37	GU14210513	34.12	14
GU03750630	33.35	15	GU12011402	34.01	37	GU14210702	34.12	5
GU03750631	33.35	14	GU12011403	34.01	37	GU14212210	34.12	21
GU03751630	33.36	3	GU12011700	34.01	38	GU14213001	34.13	12
GU03751631	33.36	7	GU12011800	34.01	36	GU14213612	34.13	1
GU03753100	33.41	10	GU12012200	34.01	11	GU14213803	34.11	4
GU03753130	33.36	28	GU12018900	34.01	6	GU14215213	34.13	17
GU03758460	33.36	16	GU12021700	34.03	13	GU14215400	34.13	4
GU03758466	33.36	16	GU12021800	34.03	12	GU14217300	34.13	16
GU03759150	33.19	14	GU12022600	33.16	6	GU14217410	34.13	2
GU03760067	33.34	37	GU12022600	34.02	15	GU14217901	33.32	3
GU03760068	33.34	37	GU12022600	34.11	23	GU14217901	34.06	11
GU03760072	33.34	37	GU12031800	34.02	33	GU14217901	34.11	6
GU03760073	33.34	37	GU12038100	34.02	14	GU14217901	34.37	18
GU03760465	33.34	4	GU12067701	34.03	21	GU14218011	34.13	10
GU03761570	33.34	1	GU12082300	34.10	4	GU14218401	34.12	7
GU03761970	33.34	35	GU12082800	34.10	5	GU14219310	34.13	14
GU03762070	33.34	36	GU12082901	34.10	2	GU14219401	34.12	13
GU03762370	33.34	39	GU12087001	34.10	9	GU14230501	34.13	26
GU03762470	33.34	1	GU12154200	34.09	25	GU14231201	34.13	27
GU03762550	33.34	5	GU12154200	34.11	18	GU14232400	34.13	25
GU03764060	33.34	12	GU12157800	34.09	32	GU14232512	34.13	9
GU03764060	33.34	12	GU12211700	34.12	12	GU14234300	34.13	23
GU03766265	33.34	26	GU12327700	33.15	15	GU14234600	34.04	4
GU03767270	33.34	9	GU12351100	33.16	11	GU14234600	34.13	24
GU03769431	33.33	23	GU12355202	33.16	18	GU14235500	34.13	21
GU03769465	33.33	23	GU12355203	33.16	18	GU14237800	34.11	14
GU03769831	33.33	24	GU12356300	33.16	30	GU14335303	33.28	15
GU03769865	33.33	24	GU12547200	33.15	5	GU14433400	34.04	10
GU03900060	33.17	26	GU12616101	33.27	13	GU14434000	33.19	3
GU03900065	33.17	26	GU12616101	33.28	6	GU14439800	33.35	9
GU03909960	33.17	40	GU12616102	33.27	13	GU14516700	33.25	4
GU03917543	33.20	33	GU12616102	33.28	6	GU14517000	33.25	5
GU03917842	33.20	2	GU12616103	33.27	13	GU14609650	33.30	15
GU03917843	33.20	2	GU12616103	33.28	6	GU14609650	33.41	25
GU03917861	33.20	2	GU12717600	34.09	22	GU14615901	33.08	6
GU03917942	33.20	3	GU13021900	34.02	17	GU14615901	33.16	21
GU03917943	33.20	3	GU13036801	34.02	3	GU14615901	33.16	31
GU03917961	33.20	3	GU13037000	34.02	10	GU14615901	33.16	4
GU03921560	33.20	30	GU13037200	34.02	8	GU14615901	33.27	18
GU03921561	33.20	30	GU13037400	34.02	11	GU14615901	33.28	2
GU03922060	33.22	21	GU13037600	34.02	12	GU14615901	33.32	6
GU03922065	33.22	18	GU13084100	34.10	1	GU14615901	34.03	22
GU03922230	33.24	5	GU13148300	34.09	2	GU14615901	34.04	19
GU03922231	33.22	19	GU13433440	33.19	6	GU14615901	34.37	17
GU03941000	34.02	40	GU14003600	34.01	24	GU14634051	33.28	4
GU03941055	34.02	40	GU14011900	34.01	10	GU14717600	33.40	13
GU03941065	34.02	40	GU14011901	34.01	10	GU14781570	33.36	29



Code	N.Tafel	Pos.	Code	N.Tafel	Pos.	Code	N.Tafel	Pos.
GU14781670	33.35	22	GU25656100	33.31	9	GU30106170	33.05	9
GU14781870	33.36	30	GU25656100	33.32	16	GU30106800	33.05	10
GU17034050	34.02	28	GU25656102	34.09	26	GU30109330	33.08	21
GU17045860	34.04	2	GU27135215	33.33	13	GU30113460	33.07	3
GU17067900	34.03	23	GU27530503	33.26	6	GU30113600	33.07	2
GU17335950	33.28	16	GU27530505	33.26	5	GU30114060	33.07	1
GU17350400	33.16	23	GU27530594	33.33	3	GU30114370	34.06	7
GU17350700	33.16	24	GU27530595	33.33	7	GU30114470	34.06	5
GU17355400	33.16	25	GU27604315	33.33	19	GU30114560	33.07	9
GU17355402	33.16	25	GU27663815	33.33	22	GU30114660	33.07	8
GU17355404	33.16	25	GU28058060	34.04	16	GU30115070	34.06	8
GU17355406	33.16	25	GU28115560	34.06	17	GU30115071	34.06	9
GU17355408	33.16	25	GU28150560	34.09	38	GU30115220	33.21	1
GU17355410	33.16	25	GU28153960	34.09	36	GU30123430	33.08	9
GU17355412	33.16	25	GU28157450	34.09	27	GU30146400	34.09	1
GU17444250	33.18	29	GU28157850	34.09	28	GU30147700	34.09	4
GU17451750	33.17	11	GU28157950	33.05	23	GU30150900	34.09	14
GU17633550	33.28	24	GU28217350	34.13	29	GU30153000	34.09	11
GU17656850	33.32	17	GU28234700	34.11	30	GU30158701	34.09	13
GU17659650	33.30	17	GU28236260	34.13	32	GU30158800	34.09	18
GU17750520	33.41	23	GU28238261	34.13	33	GU30159000	34.09	20
GU17751200	33.41	24	GU28576590	33.41	5	GU30214225	34.13	18
GU17762200	33.34	16	GU28707050	33.41	27	GU30230725	34.13	19
GU17768750	34.09	17	GU28716748	33.40	22	GU30231025	34.13	8
GU17999550	34.01	34	GU28742558	33.40	4	GU30231525	34.12	22
GU18001150	34.01	20	GU28742558	33.41	22	GU30252060	33.14	15
GU18144350	34.09	19	GU28742559	33.40	4	GU30252360	33.14	16
GU18161150	33.05	11	GU28742560	33.41	22	GU30256960	33.14	14
GU18211050	34.12	15	GU28742562	33.41	22	GU30258160	33.14	10
GU18211051	34.12	15	GU28762540	33.34	5	GU30335260	33.28	14
GU18211052	34.12	15	GU29053351	34.04	3	GU30350360	33.16	2
GU18211054	34.12	15	GU29104985	33.21	4	GU30354602	33.16	29
GU18258101	33.14	13	GU29105860	33.05	3	GU30356760	33.16	13
GU18258201	33.14	21	GU29106061	33.05	12	GU30424660	34.11	21
GU18352400	33.16	15	GU29106660	33.21	9	GU30425260	33.18	37
GU18355100	33.16	17	GU29106860	33.05	25	GU30450260	33.17	3
GU18432760	33.19	2	GU29107261	33.05	1	GU30461360	33.17	21
GU18548000	33.15	9	GU29107360	33.05	2	GU30462060	33.17	25
GU19007700	34.01	23	GU29108550	33.21	3	GU30462160	33.17	31
GU19007700	34.37	16	GU29109161	33.05	14	GU30463260	33.17	33
GU19025300	34.03	24	GU29113860	33.05	13	GU30466860	33.17	27
GU19149800	33.29	18	GU29115860	33.07	15	GU30477101	33.41	16
GU19149800	33.30	3	GU29116960	33.07	14	GU30477200	33.41	17
GU19149800	33.31	5	GU29217960	34.37	7	GU30513401	33.25	2
GU19207220	34.11	19	GU29418360	33.17	35	GU30516500	33.25	3
GU19355320	33.16	19	GU29443550	33.18	15	GU30530510	34.38	3
GU19355321	33.16	19	GU29446050	33.18	17	GU30530511	34.38	4
GU19355322	33.16	19	GU29530562	34.06	4	GU30530512	34.38	9
GU19355323	33.16	19	GU29615260	33.27	4	GU30547060	33.15	6
GU19355324	33.16	19	GU29704060	34.37	15	GU30576100	33.23	17
GU19355325	33.16	19	GU29711460	34.37	5	GU30577800	33.34	32
GU19355326	33.16	19	GU29711960	34.37	11	GU30601060	33.33	18
GU19355327	33.16	19	GU29722760	33.40	20	GU30602500	33.33	20
GU19355328	33.16	19	GU29729461	33.40	34	GU30611460	33.28	10
GU19355329	33.16	19	GU29995735	33.20	21	GU30631160	33.28	5
GU19357660	33.16	20	GU30003800	34.09	39	GU30631430	33.28	7
GU19705900	33.17	28	GU30004910	34.01	31	GU30658760	33.30	16
GU23440710	33.18	16	GU30022060	34.02	20	GU30665860	33.32	12
GU23441210	33.18	20	GU30022260	34.02	2	GU30666060	33.32	10
GU23441810	33.18	18	GU30057810	34.04	17	GU30666760	33.32	4
GU23442210	33.18	44	GU30060660	34.03	4	GU30666960	33.32	1
GU23443210	33.18	19	GU30060760	34.03	5	GU30675160	33.32	27
GU23768310	33.34	2	GU30060960	34.03	6	GU30678160	33.14	2
GU23943410	33.26	38	GU30061060	34.03	7	GU30678160	33.32	22
GU23943510	33.14	4	GU30061241	34.03	8	GU30714201	34.37	3
GU25656100	33.29	12	GU30081810	34.12	3	GU30716500	33.40	21
GU25656100	33.30	19	GU30105200	33.05	20	GU30717061	33.40	15





Code	N.Tafel	Pos.	Code	N.Tafel	Pos.	Code	N.Tafel	Pos.
GU30728230	33.40	29	GU90351038	34.03	9	GU92259017	34.13	6
GU30729330	33.40	18	GU90353016	34.02	7	GU92295702	34.13	15
GU30730711	34.38	1	GU90402840	34.01	19	GU92296750	34.12	18
GU30732200	33.40	31	GU90403040	33.15	7	GU92602308	34.09	5
GU30732400	33.40	32	GU90403547	34.11	2	GU92602312	33.17	7
GU30732560	33.41	21	GU90403548	34.11	31	GU92602408	33.30	30
GU30735500	33.20	20	GU90403850	33.16	10	GU92602525	34.04	14
GU30735500	33.34	17	GU90405367	34.01	39	GU92603010	34.02	23
GU30746360	33.41	12	GU90407085	33.16	27	GU92606003	33.40	33
GU30749760	33.41	3	GU90706094	34.02	21	GU92606205	33.19	5
GU30759600	33.40	24	GU90706094	34.03	11	GU92606206	33.17	19
GU30922260	33.41	6	GU90706140	34.11	12	GU92606206	33.40	26
GU30944300	33.20	32	GU90706141	33.40	19	GU92606208	34.01	8
GU30999060	34.01	33	GU90706170	34.10	11	GU92606312	33.18	33
GU31003766	33.16	33	GU90706178	34.01	32	GU92606312	33.19	19
GU31003766	34.11	34	GU90706178	34.37	8	GU92606508	33.19	15
GU31103565	33.20	14	GU90706203	33.16	7	GU92606508	34.10	15
GU31613383	33.27	7	GU90706203	34.02	16	GU92606512	33.18	14
GU31659260	33.31	3	GU90706203	34.11	24	GU92606512	33.18	32
GU31745865	33.36	26	GU90706203	34.12	6	GU92606512	34.11	15
GU31750560	33.41	30	GU90706203	34.13	31	GU92606516	34.37	4
GU31753765	33.35	17	GU90706219	34.13	28	GU92609007	33.32	28
GU31753765	33.36	9	GU90706235	34.12	4	GU92609206	33.14	12
GU31755660	33.41	31	GU90706490	33.28	13	GU92609512	33.14	19
GU37037405	34.02	11	GU90706584	33.15	3	GU92630104	33.30	11
GU37037605	34.02	12	GU90706584	33.16	16	GU92630106	33.22	3
GU37038005	34.02	13	GU90714053	33.07	16	GU92630106	33.33	17
GU37045006	34.04	1	GU90714082	33.07	19	GU92630107	33.24	13
GU37064106	34.03	18	GU90714104	33.05	21	GU92630108	33.30	23
GU37065405	34.03	19	GU90718370	33.08	3	GU92630110	33.19	9
GU37703805	34.37	2	GU91111511	34.02	27	GU92630110	33.26	10
GU37712306	34.37	9	GU91112128	34.03	16	GU92630204	33.40	37
GU37712405	34.37	1	GU91180408	34.06	21	GU92630205	33.30	29
GU39103400	33.17	14	GU91180600	33.20	26	GU92630206	33.32	19
GU39103400	33.19	20	GU91180602	33.18	23	GU92630508	33.27	2
GU39103500	33.17	16	GU91180607	33.41	15	GU92630707	33.14	6
GU39103500	33.19	22	GU91181210	33.17	5	GU92630707	33.19	24
GU39663801	33.29	4	GU91551010	33.22	15	GU92630707	33.25	12
GU39922200	33.23	4	GU91551010	33.23	16	GU92630707	33.41	20
GU43083810	34.13	3	GU91551033	33.35	4	GU92630708	33.18	50
GU49609601	33.41	25	GU91551034	34.06	22	GU92630718	33.28	21
GU55235000	34.13	22	GU91551080	33.41	14	GU92640508	33.08	13
GU55235001	34.13	22	GU91551081	33.20	27	GU92640508	33.17	39
GU55235002	34.13	22	GU91551099	33.24	17	GU92640508	33.18	26
GU55235003	34.13	22	GU91551120	33.30	14	GU92650034	33.36	27
GU61108500	33.21	8	GU91551131	33.20	15	GU92650035	33.36	22
GU61108500	33.32	13	GU91551165	33.22	12	GU92650036	33.24	16
GU63657000	33.32	20	GU91551168	33.34	38	GU92650136	33.34	23
GU65061300	34.09	35	GU91600450	34.37	10	GU92660007	33.34	23
GU65663500	33.32	7	GU91702355	34.04	15	GU92660208	33.07	11
GU66468115	33.17	34	GU92201070	33.16	26	GU92660600	33.36	6
GU89000408	33.20	1	GU92201417	34.11	13	GU92660601	33.05	6
GU89000447	33.20	1	GU92204220	33.27	3	GU92660601	33.17	13
GU89000448	33.20	1	GU92204220	33.28	3	GU92660601	33.22	27
GU89000449	33.20	1	GU92204230	33.15	14	GU92660601	33.40	11
GU89000450	33.20	1	GU92218424	34.11	7	GU92660601	34.37	14
GU89000451	33.20	1	GU92234717	34.11	8	GU92660801	33.20	16
GU89000473	33.20	1	GU92249217	33.15	8	GU92750180	34.04	11
GU89000474	33.20	1	GU92249225	33.25	6	GU92781062	34.06	16
GU89000475	33.20	1	GU92249227	33.16	14	GU92787006	33.14	7
GU89000476	33.20	1	GU92251022	34.13	7	GU92787008	33.08	7
GU90118152	34.02	31	GU92251030	34.12	20	GU92787008	33.16	5
GU90271020	33.15	13	GU92251030	34.13	30	GU92787008	33.24	9
GU90271055	33.28	27	GU92252210	34.09	3	GU92787008	34.01	5
GU90272037	33.05	19	GU92254340	33.16	12	GU92787105	33.34	15
GU90272047	33.27	15	GU92256218	34.11	3	GU92787205	33.23	11
GU90272047	33.28	23	GU92258525	34.12	16	GU92787205	33.34	15



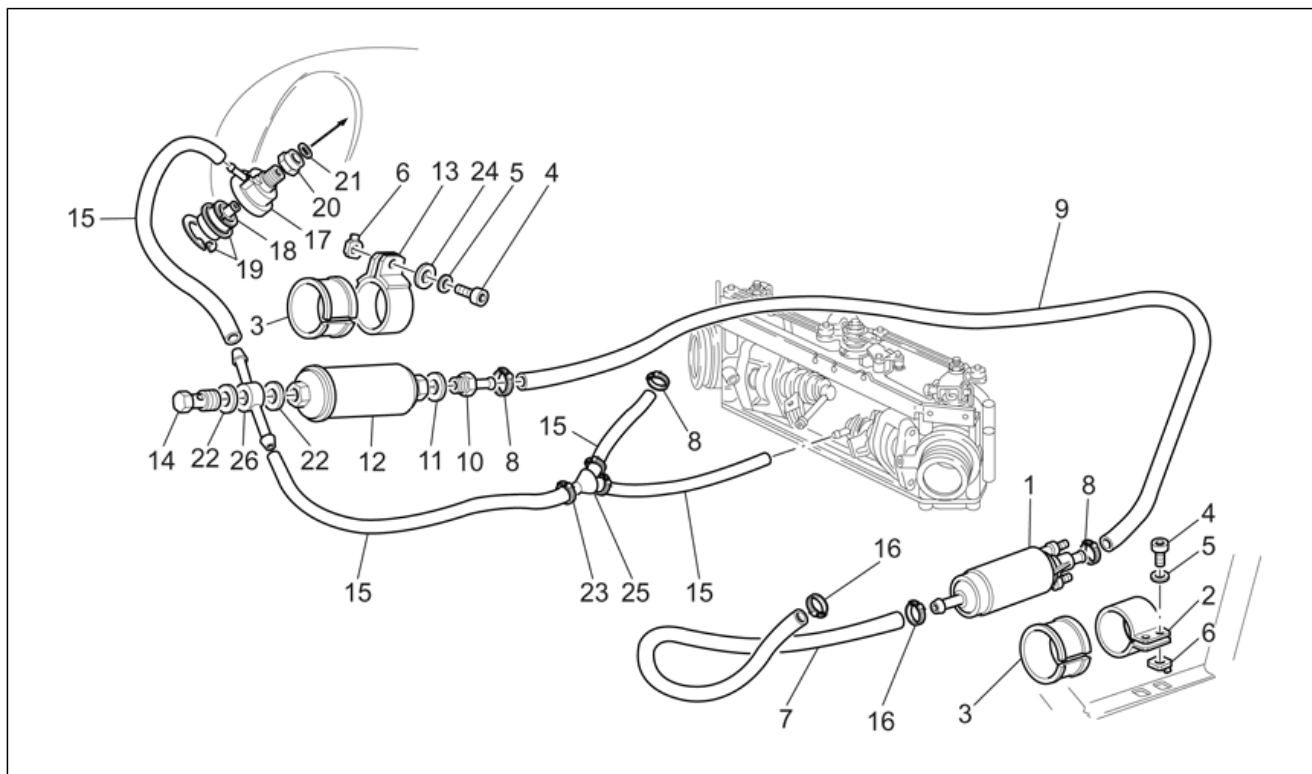
Code	N.Tafel	Pos.	Code	N.Tafel	Pos.	Code	N.Tafel	Pos.
GU92787205	34.39	5	GU95008306	33.32	9	GU97260415	33.34	33
GU93110060	33.36	21	GU95008306	33.34	25	GU98052560	33.26	3
GU93180080	33.17	30	GU95008306	33.40	39	GU98064425	33.35	13
GU93180105	33.15	16	GU95008306	34.37	13	GU98082225	33.23	10
GU93180111	33.27	11	GU95008313	33.18	13	GU98082250	33.30	27
GU93180216	33.17	2	GU95008313	33.19	26	GU98082390	34.01	25
GU93180220	34.11	22	GU95021112	33.17	6	GU98082435	34.04	18
GU93180245	33.16	32	GU95021204	33.29	9	GU98082475	34.38	2
GU93180245	33.18	35	GU95021204	33.40	27	GU98082480	33.27	17
GU93180245	34.11	33	GU95022110	33.18	39	GU98084110	33.40	7
GU93180577	34.39	4	GU95022112	33.18	31	GU98084216	33.19	4
GU93221330	33.40	6	GU95028022	34.12	2	GU98084312	33.28	18
GU93222020	33.40	28	GU95100055	33.34	11	GU98084314	33.18	21
GU93222023	33.34	19	GU95100059	33.07	5	GU98084316	33.19	21
GU93231604	33.36	14	GU95100116	34.06	13	GU98084316	34.02	34
GU93231606	33.18	7	GU95100118	33.41	19	GU98084316	34.09	9
GU93305061	34.06	6	GU95100141	33.05	24	GU98084320	34.04	6
GU93306013	33.05	16	GU95100141	33.22	8	GU98084320	34.09	37
GU93306017	33.05	8	GU95100141	33.25	18	GU98084325	33.25	10
GU93306017	33.07	13	GU95100141	33.40	10	GU98084412	33.32	5
GU93306017	34.09	29	GU95100173	33.32	23	GU98084416	33.17	36
GU93306050	33.15	10	GU95100239	33.20	13	GU98084420	34.03	2
GU93306070	33.15	11	GU95100250	33.18	47	GU98084425	33.08	18
GU93400012	33.34	20	GU95100332	33.29	19	GU98084425	34.01	12
GU93450119	33.35	7	GU95100332	33.30	4	GU98110007	33.08	20
GU93450120	33.34	8	GU95100333	33.29	19	GU98223625	33.22	13
GU93450127	33.35	16	GU95100333	33.30	4	GU98223825	33.24	7
GU93450127	33.36	8	GU95100409	33.14	17	GU98223830	33.22	10
GU93450140	33.34	34	GU95100414	33.18	30	GU98230612	33.07	6
GU93450224	33.36	12	GU95100432	33.25	17	GU98230616	33.32	18
GU93450232	33.35	5	GU95100709	34.01	30	GU98230620	33.22	25
GU93601022	34.12	1	GU95100837	34.04	13	GU98230625	33.24	11
GU94321051	34.12	19	GU95120033	33.40	41	GU98230830	33.20	12
GU94321067	34.11	29	GU95120065	34.02	35	GU98280410	33.30	10
GU94321070	33.33	15	GU95120065	34.04	7	GU98310609	34.06	12
GU94321079	34.09	15	GU95120065	34.09	33	GU98310631	34.01	22
GU94321105	34.10	13	GU95120085	34.09	6	GU98350210	33.07	10
GU94322185	33.14	18	GU95129110	33.32	25	GU98350310	33.34	21
GU94322215	34.02	30	GU95129130	33.18	48	GU98350312	33.17	29
GU95001205	33.24	12	GU95129131	33.32	30	GU98350315	33.22	31
GU95001206	33.36	5	GU95129180	34.02	18	GU98350315	33.30	12
GU95005306	33.18	36	GU95187006	34.09	10	GU98350320	33.25	13
GU95005307	33.26	37	GU95401215	33.18	45	GU98350325	33.24	14
GU95005308	33.16	22	GU95500221	33.32	26	GU98350416	33.17	22
GU95005308	33.23	14	GU95500222	34.10	17	GU98350440	33.30	22
GU95005308	34.01	4	GU95512081	34.01	9	GU98350450	33.18	49
GU95005311	33.08	14	GU95512081	34.11	9	GU98350522	33.18	38
GU95005312	33.24	8	GU95522508	33.17	32	GU98370412	33.29	8
GU95008205	33.30	28	GU95740175	33.32	29	GU98370515	33.36	20
GU95008205	33.36	17	GU95780267	33.32	24	GU98370609	33.34	21
GU95008205	33.40	23	GU95780271	34.10	16	GU98370614	33.18	25
GU95008206	33.22	26	GU95980214	33.16	8	GU98370614	33.25	19
GU95008206	34.01	28	GU95980214	34.11	25	GU98370619	33.20	24
GU95008206	34.02	39	GU95980610	34.11	32	GU98370619	33.26	35
GU95008206	34.06	15	GU95985223	33.07	18	GU98370621	33.18	5
GU95008206	34.09	16	GU95990028	33.29	11	GU98370622	33.23	15
GU95008208	33.08	12	GU95990028	33.30	32	GU98370845	33.17	8
GU95008208	33.17	37	GU95990028	33.31	8	GU98370850	33.23	13
GU95008208	33.18	6	GU95990028	33.32	15	GU98460105	33.15	2
GU95008208	33.35	10	GU95990037	34.09	24	GU98620150	33.36	11
GU95008210	33.19	8	GU95990040	33.31	10	GU98620225	33.07	20
GU95008210	33.40	36	GU96506039	34.06	14	GU98622430	33.26	1
GU95008219	33.28	20	GU96508040	34.02	19	GU98680110	33.40	30
GU95008304	33.34	32	GU96508045	33.16	3	GU98680230	33.07	4
GU95008304	33.40	8	GU96508066	34.01	3	GU98680265	34.37	6
GU95008306	33.19	18	GU96508075	34.01	7	GU98680335	34.01	17
GU95008306	33.25	11	GU97202112	34.06	20	GU98680335	34.11	17





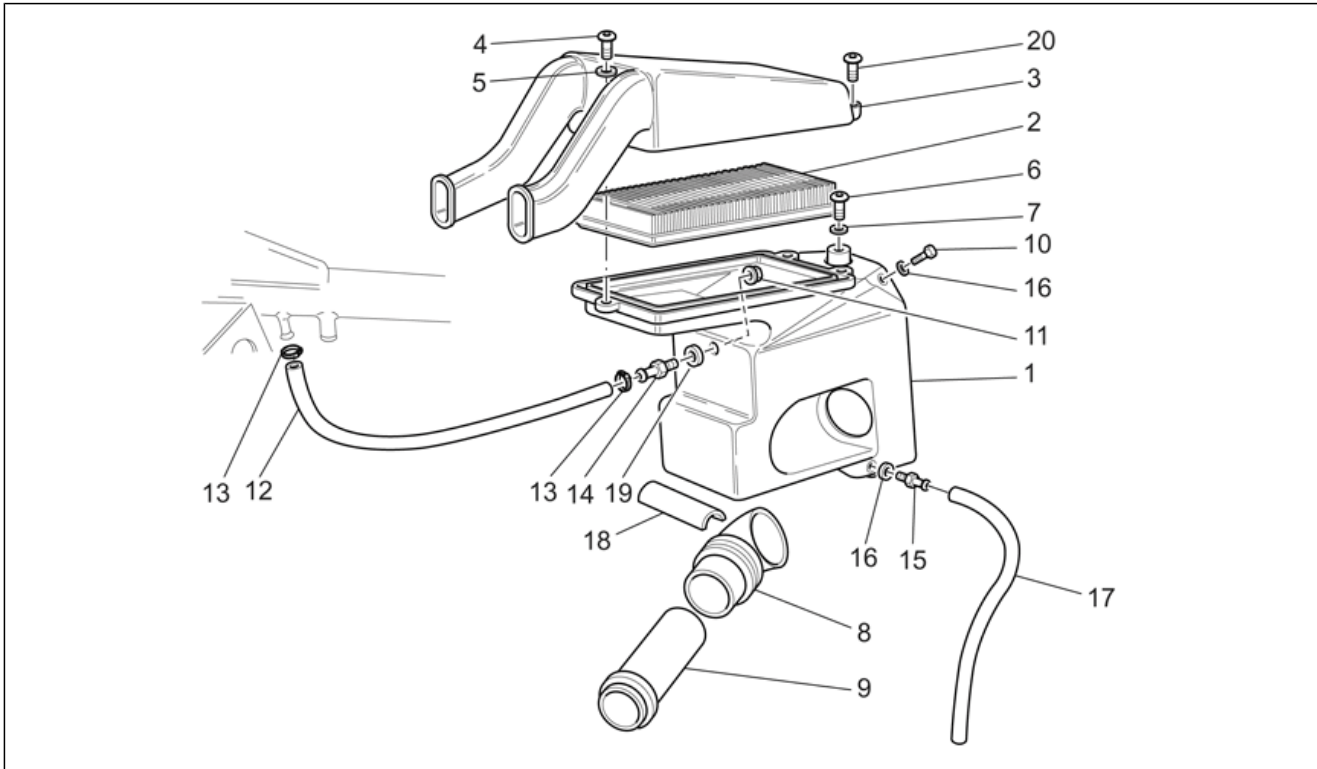
Code	N.Tafel	Pos.
GU98680340	33.26	31
GU98680440	33.19	13
GU98681650	33.17	4
GU98681650	33.18	28
GU98682125	33.40	25
GU98682212	33.40	17
GU98682310	33.32	8
GU98682310	33.40	9
GU98682310	33.41	4
GU98682314	33.35	18
GU98682316	34.11	5
GU98682318	33.05	4
GU98682318	33.41	13
GU98682318	34.37	12
GU98682320	33.36	4
GU98682322	33.14	5
GU98682325	33.32	2
GU98682325	34.01	16
GU98682325	34.01	27
GU98682325	34.06	10
GU98682325	34.11	16
GU98682416	33.19	11
GU98682420	33.17	38
GU98682430	33.33	29
GU98682430	34.09	7
GU98682530	33.31	4
GU98683530	33.29	17
GU98683530	33.30	2
GU98683635	33.18	27
GU98683640	33.18	34
GU98692318	33.34	24
GU98692318	33.35	12
GU98692325	34.02	38
GU98822316	33.17	15
GU98822325	34.11	35
GU98822430	33.28	25
GU98872115	33.34	27
GU98872120	33.34	27

<b>Groep</b>	FRAME
<b>Code</b>	33.05
<b>Beschrijving</b>	Fuel supply
<b>Revisie</b>	1



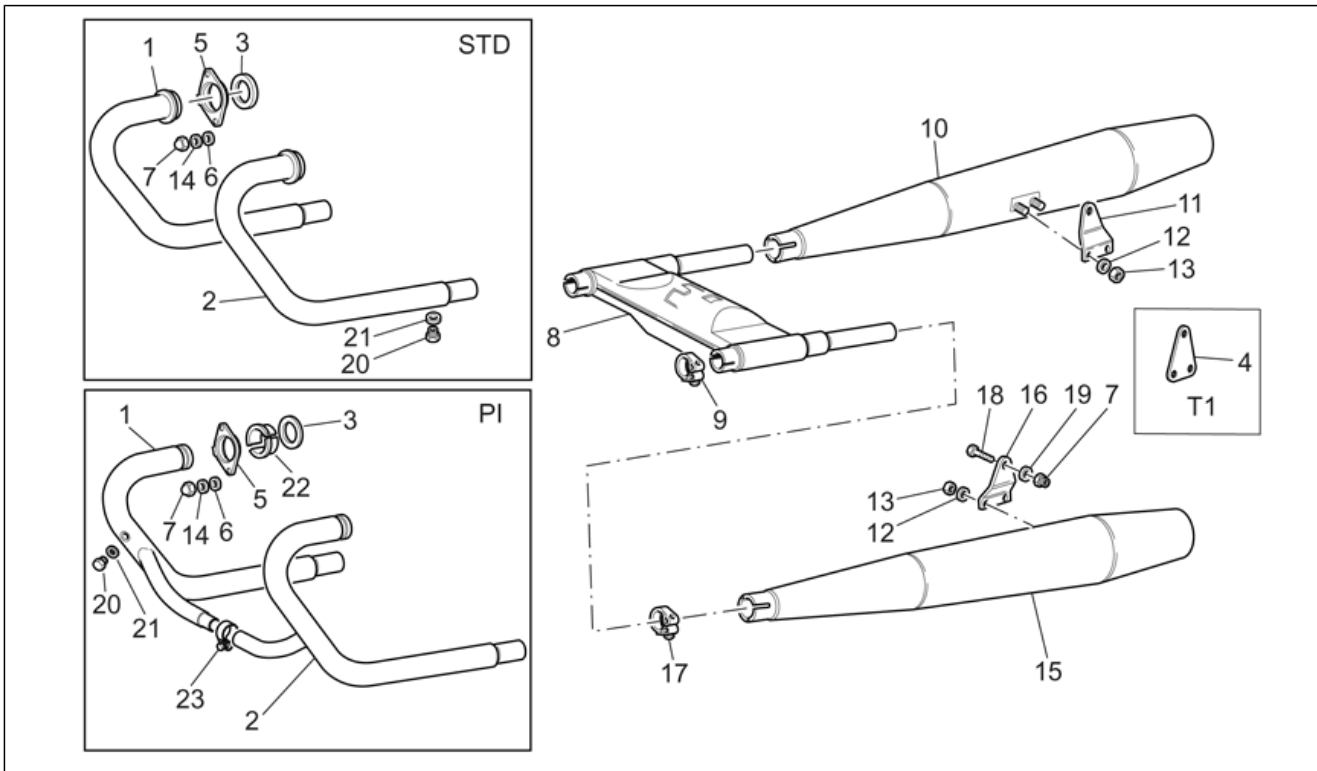
Pos.	Code	Beschrijving	Aant.	Varianten
1	GU29107261	Benzinepomp	1	
2	GU29107360	Klemmetje	1	
3	GU29105860	Bescherming in rubber	2	
4	GU98682318	Binnenzeskantbout	3	
5	GU03013800	Sluitring 6,4x12	3	
6	GU92660601	Moer in kooi	3	
7	GU03106500	Leiding pomp-tank	1	
8	GU93306017	Klemmetje	10	
9	GU30106170	Buis pomp-filter	1	
10	GU30106800	Verbinding	1	
11	GU18161150	Pakking in aluminium 14,25	1	
12	GU29106061	Benzinefilter M14xM12	1	
13	GU29113860	Klemmetje	1	
14	GU29109161	Speciale bout M12	1	
15	GU00823952080	Benzineleiding SAEJ30R9	1	
16	GU93306013	Klemmetje	2	
17	GU01112900	Steun regelaar	1	
18	GU01112800	Drukregelaar benz.	1	
19	GU90272037	Seegerring	1	
20	GU30105200	Moer	1	
21	GU90714104	Pakking	1	
22	GU12006400	Pakking in aluminium 12,25	2	
23	GU28157950	Klikband 12,5x8	3	
24	GU95100141	Sluitring 6,4x12x1,2	1	
25	GU29106860	Driewegsverbinding	1	
26	GU03107630	Tweewegsverbinding	1	

<b>Groep</b>	FRAME
<b>Code</b>	33.07
<b>Beschrijving</b>	Air box
<b>Revisie</b>	1



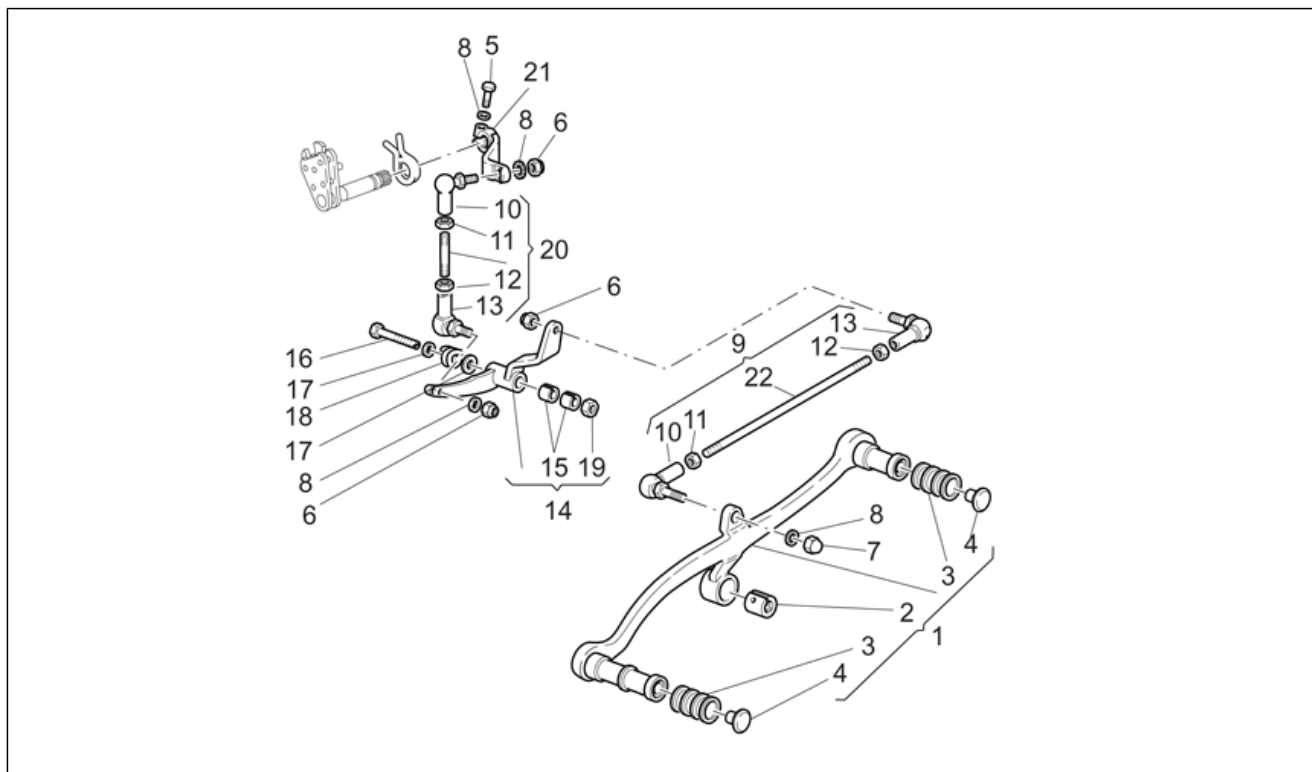
Pos.	Code	Beschrijving	Aant.	Varianten
1	GU30114060	Filterkast	1	
2	GU30113600	Luchtfilter	1	
3	GU30113460	Bedekking filter	1	
4	GU98680230	Binnenzeskantbout M5x30	1	
5	GU95100059	Sluitring 5,25x14x1,5	3	
6	GU98230612	Bout	1	
7	GU03013800	Sluitring 6,4x12	2	
8	GU30114660	Verbinding	2	
9	GU30114560	Hoorn verbinding	2	
10	GU98350210	Bolbout met binnenzeskant	1	
11	GU92660208	Moer	1	
12	GU00823956080	Rubberen buis 12,5X7,8 5/16"	1	
13	GU93306017	Klemmetje	2	
14	GU29116960	Verbinding	1	
15	GU29115860	Verbinding	1	
16	GU90714053	Pakking	2	
17	GU00823944050	Buis 5X9	1	
18	GU95985223	Halfbuis	1	
19	GU90714082	Pakking	1	
20	GU98620225	Bout	2	

<b>Groep</b>	FRAME
<b>Code</b>	33.08
<b>Beschrijving</b>	Exhaust unit
<b>Revisie</b>	1



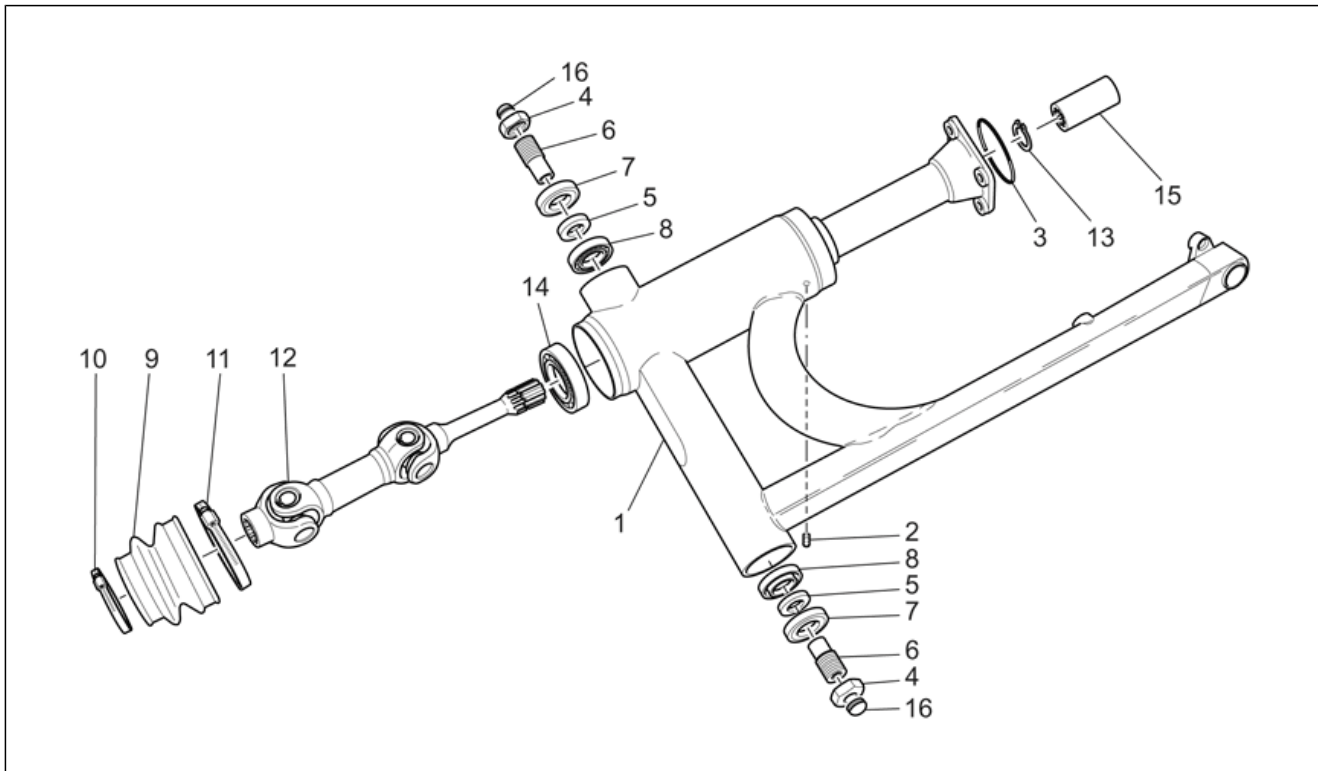
Pos.	Code	Beschrijving	Aant.	Varianten
1	GU03120930	Buis afvoer re	1	<b>Technical Specifications:</b> Engine with Hydraulic tappet[PI]
1	GU03120960	Buis afvoer re	1	<b>Technical Specifications:</b> Standard engine[STD]
2	GU03120931	Buis uitlaat li	1	<b>Technical Specifications:</b> Engine with Hydraulic tappet[PI]
2	GU03120961	Buis uitlaat li	1	<b>Technical Specifications:</b> Standard engine[STD]
3	GU90718370	Pakking	2	
4	GU03128601	Plaat re/li	2	<b>Technical Specifications:</b> From frame number KD 111444[T1]
5	GU01121030	Flens	2	
6	GU14615901	Sluitring 8,4X13X0,8	4	
7	GU92787008	Moer blind M8x1,25	6	
8	GU03123900	Expansiekamer	1	
9	GU30123430	Klemmetje	2	
10	GU03123000	Geluiddemper re verchr.	1	
11	GU03128600	Plaat re	1	
12	GU95008208	Sluitring 8,4X15X1,5	8	
13	GU92640508	Moer M8	4	
14	GU95005311	Sluitring	4	
15	GU03122900	Geluiddemper li verchr.	1	
16	GU03128700	Plaat li	1	
17	GU03123400	Klemmetje	2	
18	GU98084425	Zeskantbout M8x25	2	
19	GU03270300	Sluitring 8,4x15	2	
20	GU98110007	Dop	2	
21	GU30109330	Pakking	2	
22	GU03121230	Halfconus	4	<b>Technical Specifications:</b> Engine with Hydraulic tappet[PI]
23	GU03122570	Klemmetje	1	<b>Technical Specifications:</b> Engine with Hydraulic tappet[PI]

<b>Groep</b>	FRAME
<b>Code</b>	33.14
<b>Beschrijving</b>	Gear lever
<b>Revisie</b>	1



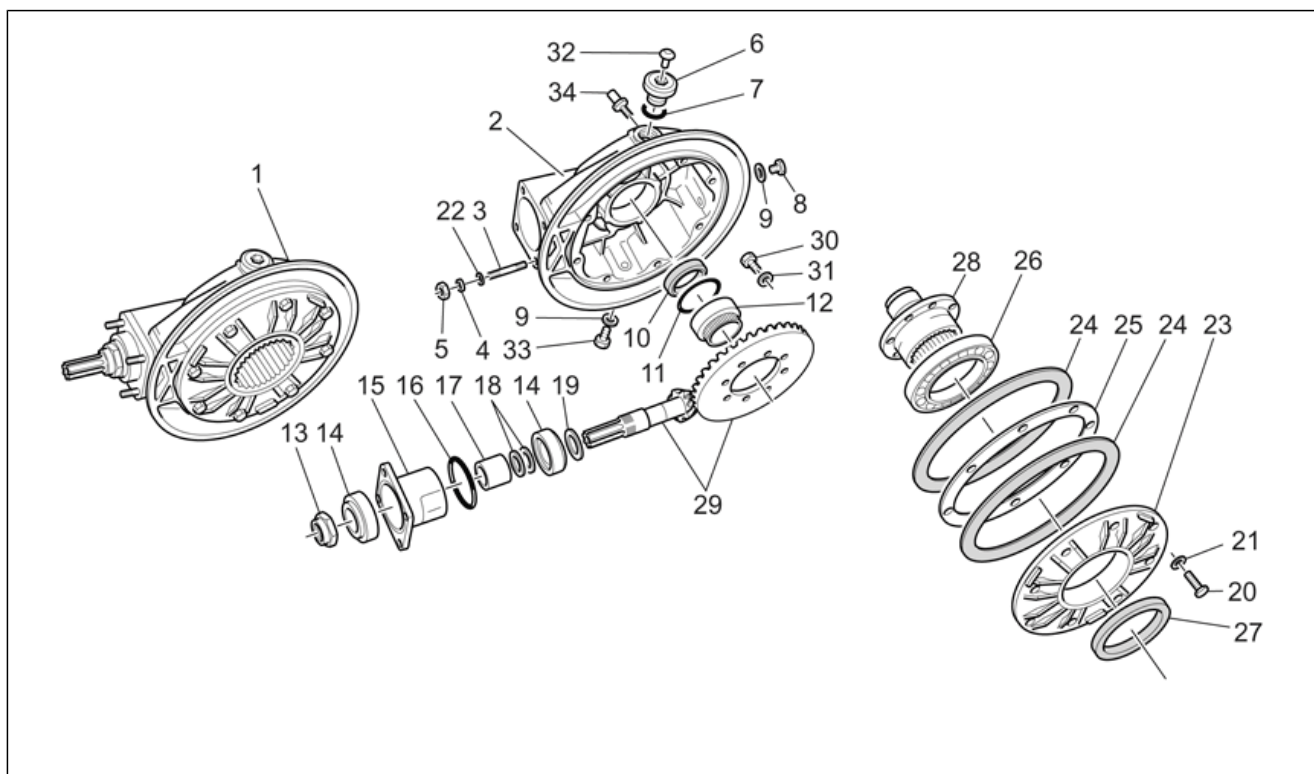
Pos.	Code	Beschrijving	Aant.	Varianten
1	GU03250845	Versn.hendel cpl.	1	
2	GU30678160	Beslagring	1	
3	GU03251045	Rubbetje	3	
4	GU23943510	Dop verchr.	2	
5	GU98682322	Binnenzeskantbout M6x22	1	
6	GU92630707	Moer	3	
7	GU92787006	Moer blind M6x1	1	
8	GU03013800	Sluitring 6,4x12	5	
9	GU03257631	Trekker cpl.	1	
10	GU30258160	Sfeervormig buigpunt	2	
11	GU03256800	Moer M6	2	
12	GU92609206	Moer M6	2	
13	GU18258101	Sfeervormig buigpunt	2	
14	GU30256960	Hendel overbrenging	1	
15	GU30252060	Beslagring	2	
16	GU30252360	Bout	1	
17	GU95100409	Sluitring	2	
18	GU94322185	Veer	1	
19	GU92609512	Moer	1	
20	GU03257800	Sfeervormig buigpunt	1	
21	GU03258250	Hendel	1	<b>Technical Specifications:</b> From engine number KD 180334[M2]
21	GU18258201	Hendel	1	<b>Technical Specifications:</b> Up to engine number KD 180333[M1]
22	GU03257730	Trekker	1	

<b>Groep</b>	FRAME
<b>Code</b>	33.15
<b>Beschrijving</b>	Transmission complete I
<b>Revisie</b>	1



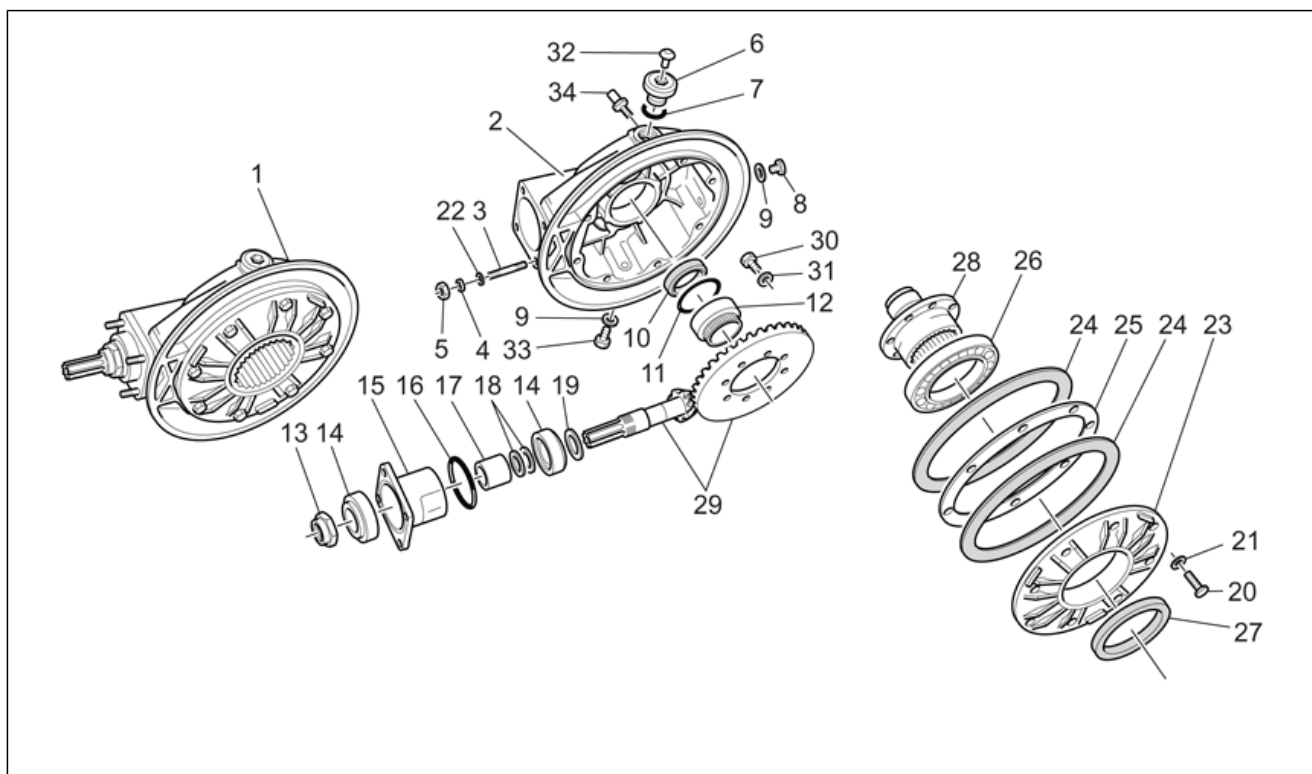
Pos.	Code	Beschrijving	Aant.	Varianten
1	GU03540250	Vork	1	
2	GU98460105	Stift	1	
3	GU90706584	Pakking 58,42x2,62	1	
4	GU03547800	Moer blind	2	
5	GU12547200	Afstandhouder	2	
6	GU30547060	Pin	2	
7	GU90403040	Dichtingsring	2	
8	GU92249217	Lager	2	
9	GU18548000	Besch.band	1	
10	GU93306050	Klein bandje 50x90x9	1	
11	GU93306070	Grote klemband 70x90x9	1	
12	GU03328050	Dubbele cardankoppeling	1	
13	GU90271020	Elastische ring	2	
14	GU92204230	Kogellager 30x62x16	1	
15	GU12327700	Mof	1	
16	GU93180105	Dop	2	

<b>Groep</b>	FRAME
<b>Code</b>	33.16
<b>Beschrijving</b>	Transmission complete II
<b>Revisie</b>	1



Pos.	Code	Beschrijving	Aant.	Varianten
1	GU03350250	Transmissiedoos cpl.	1	
2	GU30350360	Transmissiedoos	1	
3	GU96508045	Stiftbout 8x46	4	
4	GU14615901	Sluitring 8,4X13X0,8	4	
5	GU92787008	Moer blind M8x1,25	4	
6	GU12022600	Oliedop	1	
7	GU90706203	OR-ring 20,24X2,62	1	
8	GU95980214	Dop oliepeil	1	
9	GU01528930	Pakking 10x18x1,5	2	
10	GU90403850	Dichtingsring	1	
11	GU12351100	Dichtingsring	1	
12	GU92254340	Rollager 40x55x17	1	
13	GU30356760	Moer	1	
14	GU92249227	Conische kogellager 25x5	2	
15	GU18352400	Cover	1	
16	GU90706584	Pakking 58,42x2,62	1	
17	GU18355100	Afstandhouder	1	
18	GU12355202	Sluitring regel. 0,1 mm	2	
18	GU12355203	Sluitring regel. 0,15 mm	2	
19	GU19355320	Dikte 1 mm	2	
19	GU19355321	Dikte 1,1 mm	2	
19	GU19355322	Dikte 1,2 mm	2	
19	GU19355323	Dikte 1,3 mm	2	
19	GU19355324	Dikte 1,4 mm	2	
19	GU19355325	Dikte 1,5 mm	2	
19	GU19355326	Dikte 1,6 mm	2	
19	GU19355327	Dikte 1,7 mm	2	
19	GU19355328	Dikte 1,8 mm	2	

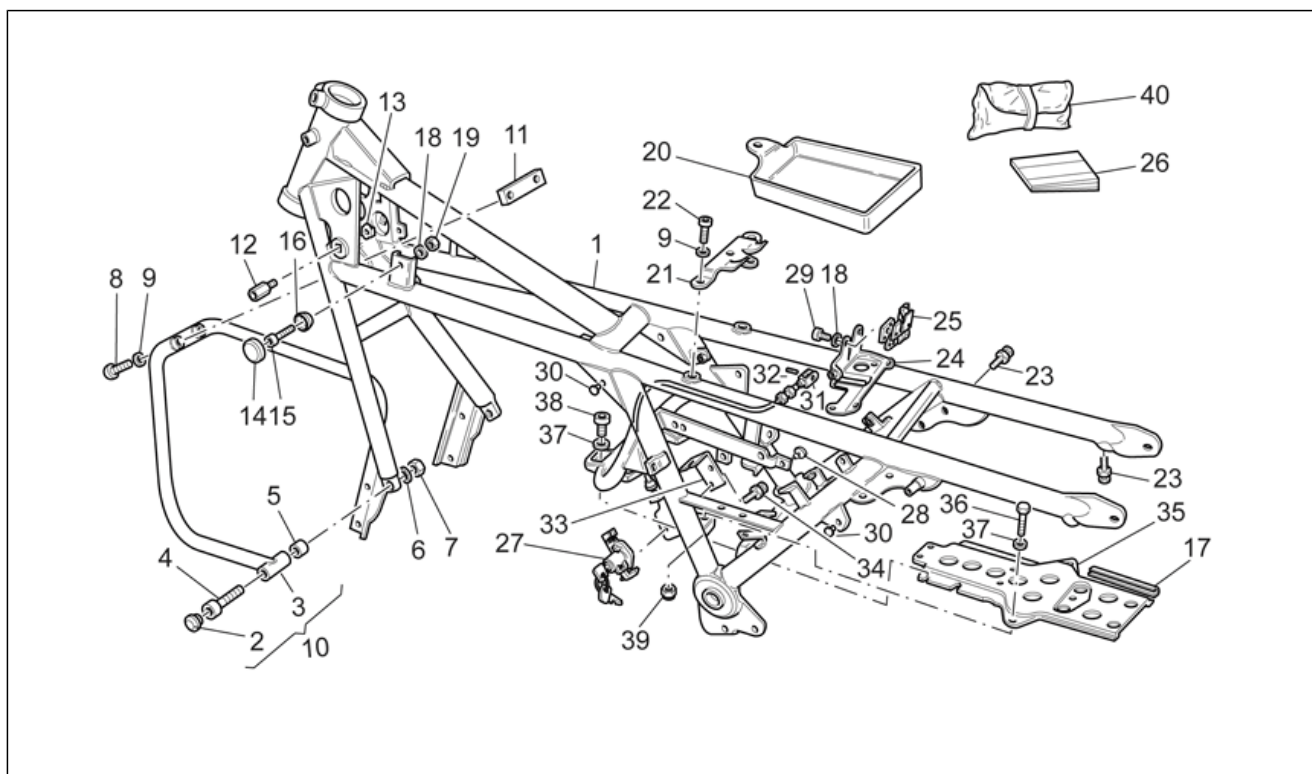
<b>Groep</b>	FRAME
<b>Code</b>	33.16
<b>Beschrijving</b>	Transmission complete II
<b>Revisie</b>	1



Pos.	Code	Beschrijving	Aant.	Varianten
19	GU19355329	Dikte 1,9 mm	2	
20	GU19357660	Bout	8	
21	GU14615901	Sluitring 8,4X13X0,8	8	
22	GU95005308	Sluitring 8,4x14,57x1,6	4	
23	GU17350400	Flens voor doos	1	
24	GU17350700	Pakking	2	
25	GU17355400	Dikte 0,8 mm	1	
25	GU17355402	Dikte 0,9 mm	1	
25	GU17355404	Dikte 1 mm	1	
25	GU17355406	Dikte 1,1 mm	1	
25	GU17355408	Dikte 1,2 mm	1	
25	GU17355410	Dikte 1,3 mm	1	
25	GU17355412	Dikte 1,5 mm	1	
26	GU92201070	Kogellager 70x110x13	1	
27	GU90407085	Dichtingsring	1	
28	GU03351450	Pin geperfor.	1	
29	GU30354602	Conisch koppel 8/33	1	
30	GU12356300	Bout	8	
31	GU14615901	Sluitring 8,4X13X0,8	8	
32	GU93180245	Dop	1	
33	GU31003766	Afvoerdop olie M10x1	1	
34	GU03555250	Pin van de achtervork	1	

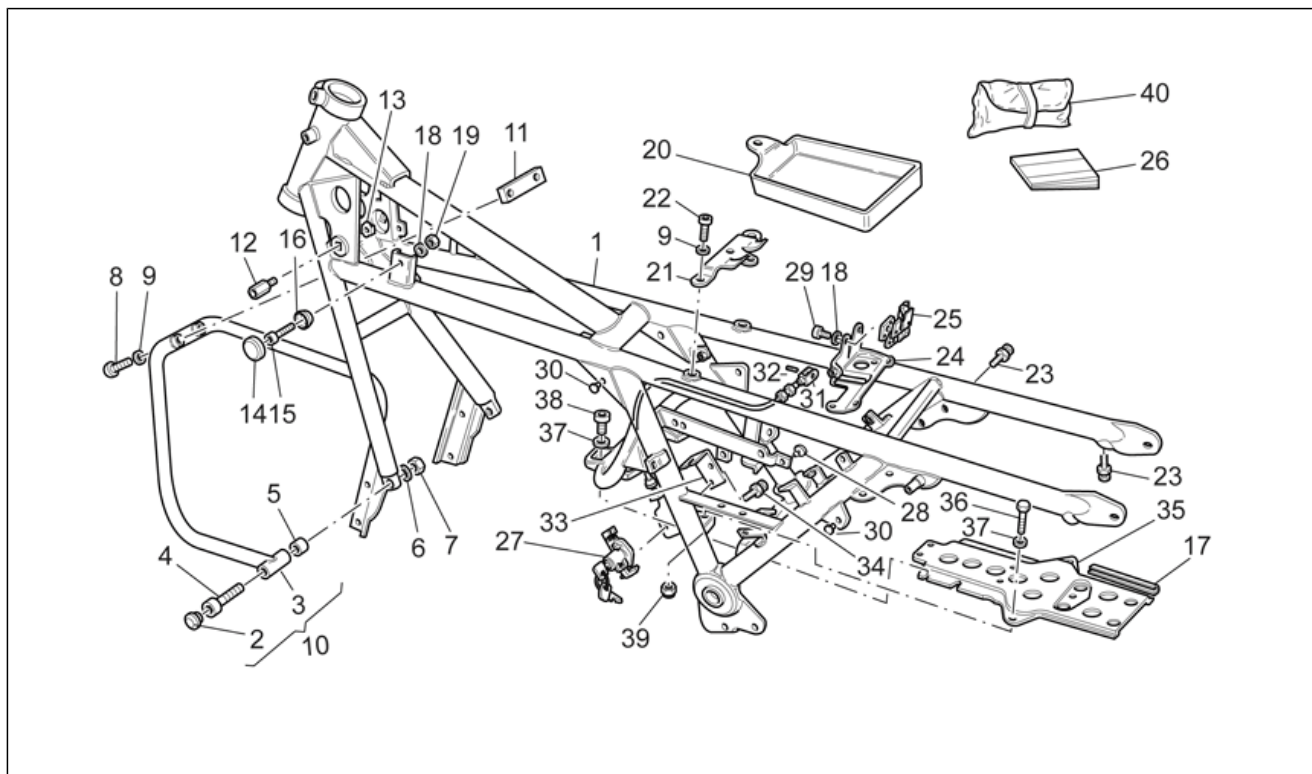


<b>Groep</b>	FRAME
<b>Code</b>	33.17
<b>Beschrijving</b>	Frame
<b>Revisie</b>	1



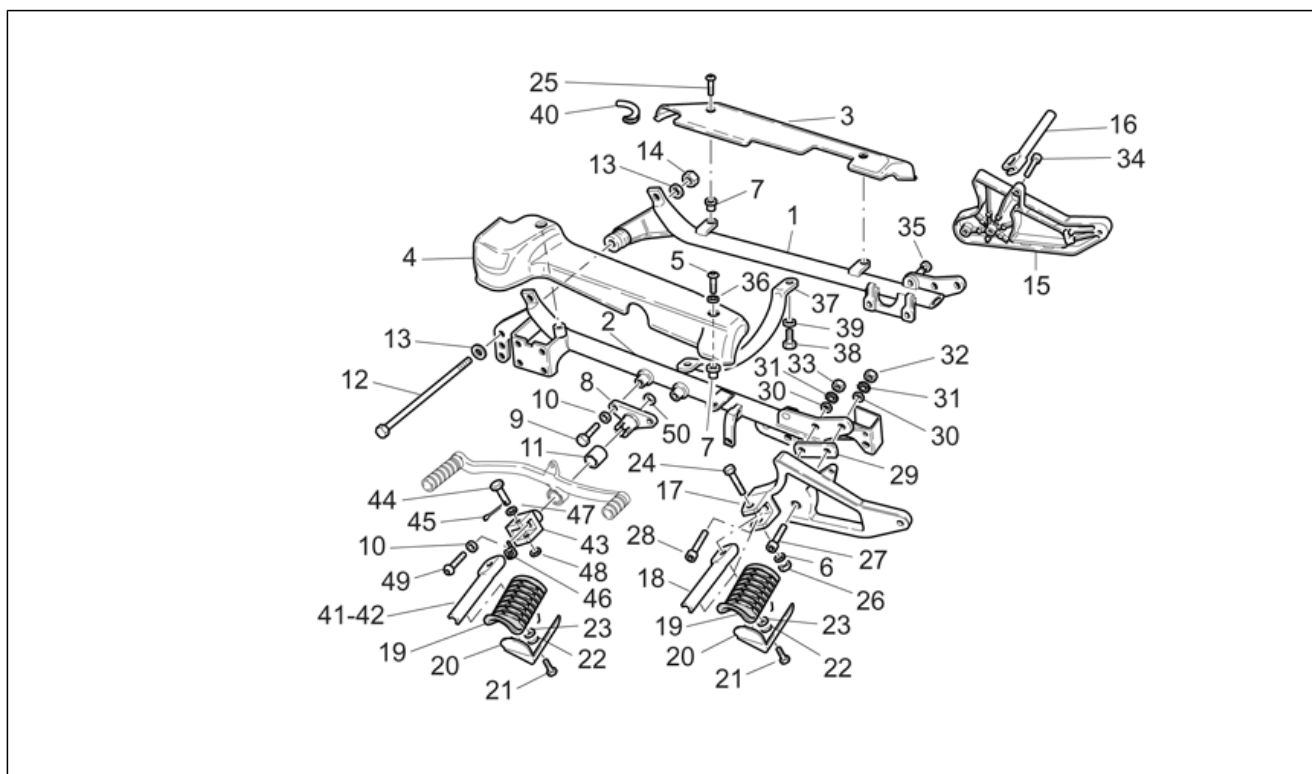
Pos.	Code	Beschrijving	Aant.	Varianten
1	GU03400151	Frame	1	
2	GU93180216	Rubbetje	2	Technical Specifications:Optional[OPT]
3	GU30450260	Besch. voor.	1	Technical Specifications:Optional[OPT]
4	GU98681650	Bout	2	
5	GU91181210	Afstandhouder	2	
6	GU95021112	Getande sluitring	2	
7	GU92602312	Moer	2	
8	GU98370845	Bolbout met binnenzeskant	2	
9	GU03270300	Sluitring 8,4x15	4	
10	GU03459830	Kit schokdempers voor.	1	Technical Specifications:Optional[OPT]
11	GU17451750	Plaatje	1	
12	GU03469200	Kolommetje	2	
13	GU92660601	Moer in kooi	2	
14	GU39103400	Buffer	2	
15	GU98822316	Bout	2	
16	GU39103500	Schijf	2	
17	GU00823931080	Pakking PVC	1	
18	GU03013800	Sluitring 6,4x12	4	
19	GU92606206	Moer	2	
20	GU03479545	Houder gereedschappen	1	
21	GU30461360	Plaat	1	
22	GU98350416	Bolbout met binnenzeskant M8x16	2	
23	GU03467343	Kolommetje	4	
24	GU03462345	Bevest.plaat zadel	1	
25	GU30462060	Zadelslot	1	
26	GU03900060	Boekje gebruik en ond. I-GB-F-D	1	Technical Specifications:Standard engine[STD]
26	GU03900065	Boekje gebruik en ond. I-GB-F-D	1	Technical Specifications:Engine with Hydraulic tappet[PI]
27	GU30466860	Zadelslot	1	

<b>Groep</b>	FRAME
<b>Code</b>	33.17
<b>Beschrijving</b>	Frame
<b>Revisie</b>	1



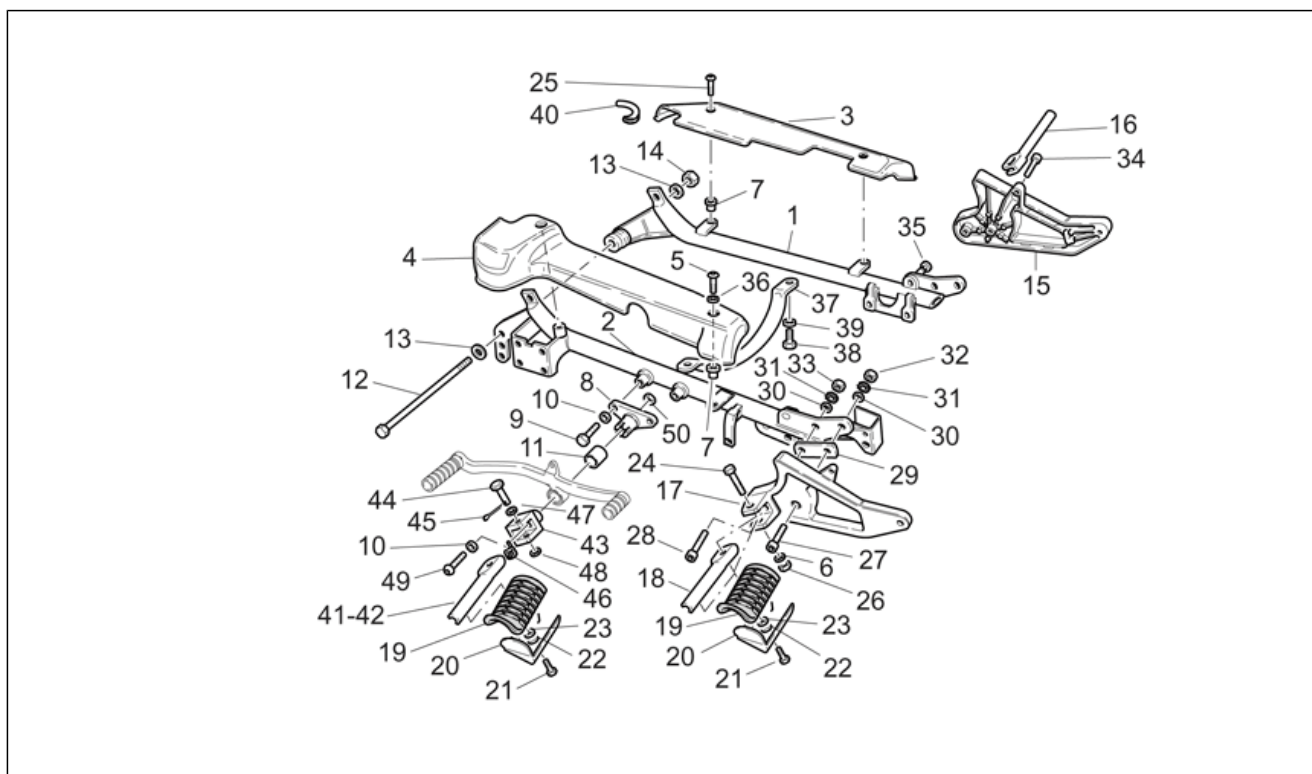
Pos.	Code	Beschrijving	Aant.	Varianten
28	GU19705900	Buffer	1	
29	GU98350312	Bolbout met binnenzeskant M6x12	2	
30	GU93180080	Dop	6	
31	GU30462160	Kabel slot zadel	1	
32	GU95522508	Plug	1	
33	GU30463260	Beugel	1	
34	GU66468115	Trekbout	2	
35	GU29418360	Plaat accuhouder	1	
36	GU98084416	Bout	3	
37	GU95008208	Sluitring 8,4X15X1,5	7	
38	GU98682420	Binnenzeskantbout M8x20	4	
39	GU92640508	Moer M8	3	
40	GU03909960	Gereedschapstas	1	

<b>Groep</b>	FRAME
<b>Code</b>	33.18
<b>Beschrijving</b>	Craddle arm-Foot rests
<b>Revisie</b>	1



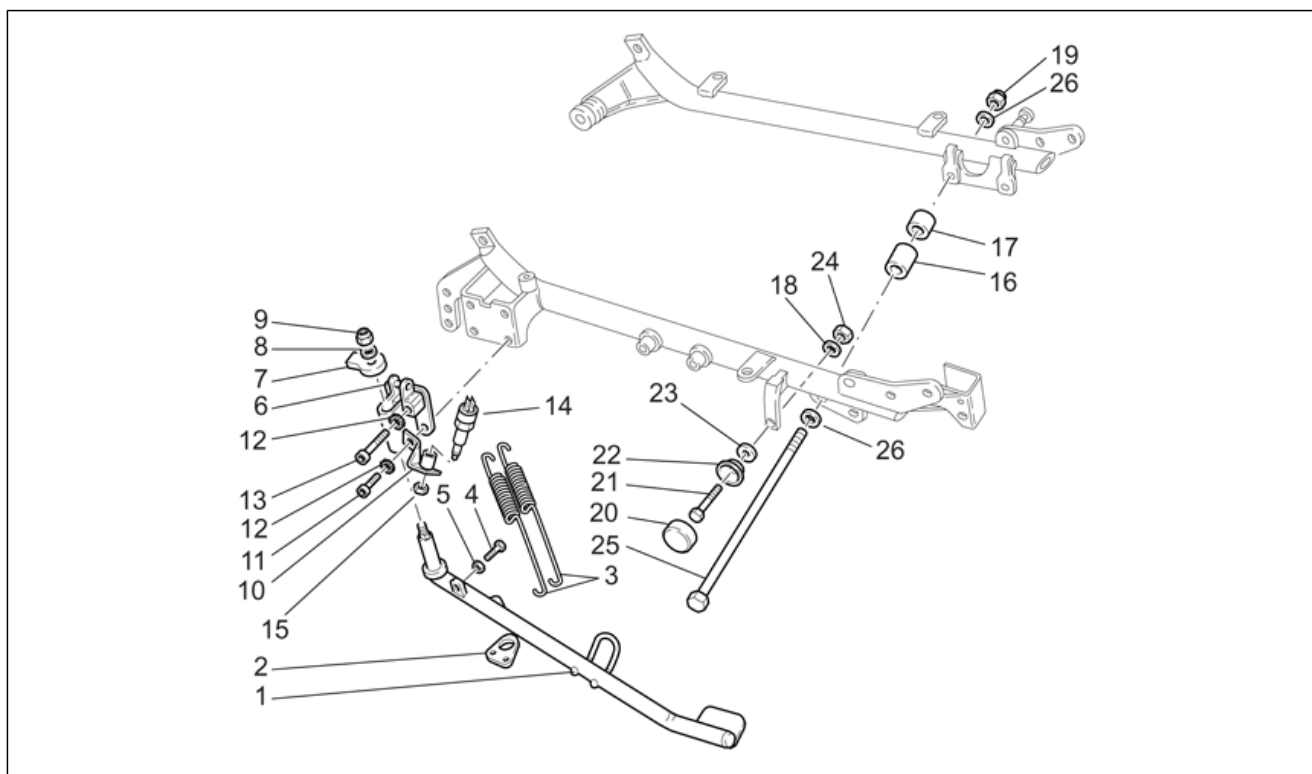
Pos.	Code	Beschrijving	Aant.	Varianten
1	GU03420331	Steun re	1	
2	GU03422130	Steun li	1	
3	GU03446930	Steunbedekking re verchr.	1	<b>Technical Specifications:</b> Spesial Sport Version[SS]
3	GU03446965	Steunbedekking re grijs	1	<b>Technical Specifications:</b> Aluminium version[AL]
4	GU03447450	Steunbedekking li verchr.	1	<b>Technical Specifications:</b> Spesial Sport Version[SS]
4	GU03447465	Steunbedekking li grijs	1	<b>Technical Specifications:</b> Aluminium version[AL]
5	GU98370621	Bolbout met binnenzeskant M6x20	4	
6	GU95008208	Sluitring 8,4X15X1,5	2	
7	GU93231606	Huls antitrilling M6	5	
8	GU03443930	Steun	2	
9	GU03611445	Zeskantbout geflenst M8x20	4	
10	GU03270300	Sluitring 8,4x15	6	
11	GU03444230	Afstandhouder	2	
12	GU03429500	Pin	1	
13	GU95008313	Sluitring 13x24x2,5	2	
14	GU92606512	Moer laag M12x1,25	1	
15	GU03443565	Plaat re grijs	1	<b>Technical Specifications:</b> Aluminium version[AL]
15	GU29443550	Steun voetnst. re gl.	1	<b>Technical Specifications:</b> Spesial Sport Version[SS]
16	GU23440710	Buis voetnst. re	1	
17	GU03446065	Plaat li grijs	1	<b>Technical Specifications:</b> Aluminium version[AL]
17	GU29446050	Steun voetnst. li gl.	1	<b>Technical Specifications:</b> Spesial Sport Version[SS]
18	GU23441810	Buis voetnst. li	1	
19	GU23443210	Voetnst. rubber	4	
20	GU23441210	Koppelingsplaat voetnst.	4	
21	GU98084314	Zeskantbout M6x14	4	
22	GU03013800	Sluitring 6,4x12	4	
23	GU91180602	Afstandhouder	4	
24	GU03442200	Bout	2	

<b>Groep</b>	FRAME
<b>Code</b>	33.18
<b>Beschrijving</b>	Craddle arm-Foot rests
<b>Revisie</b>	1



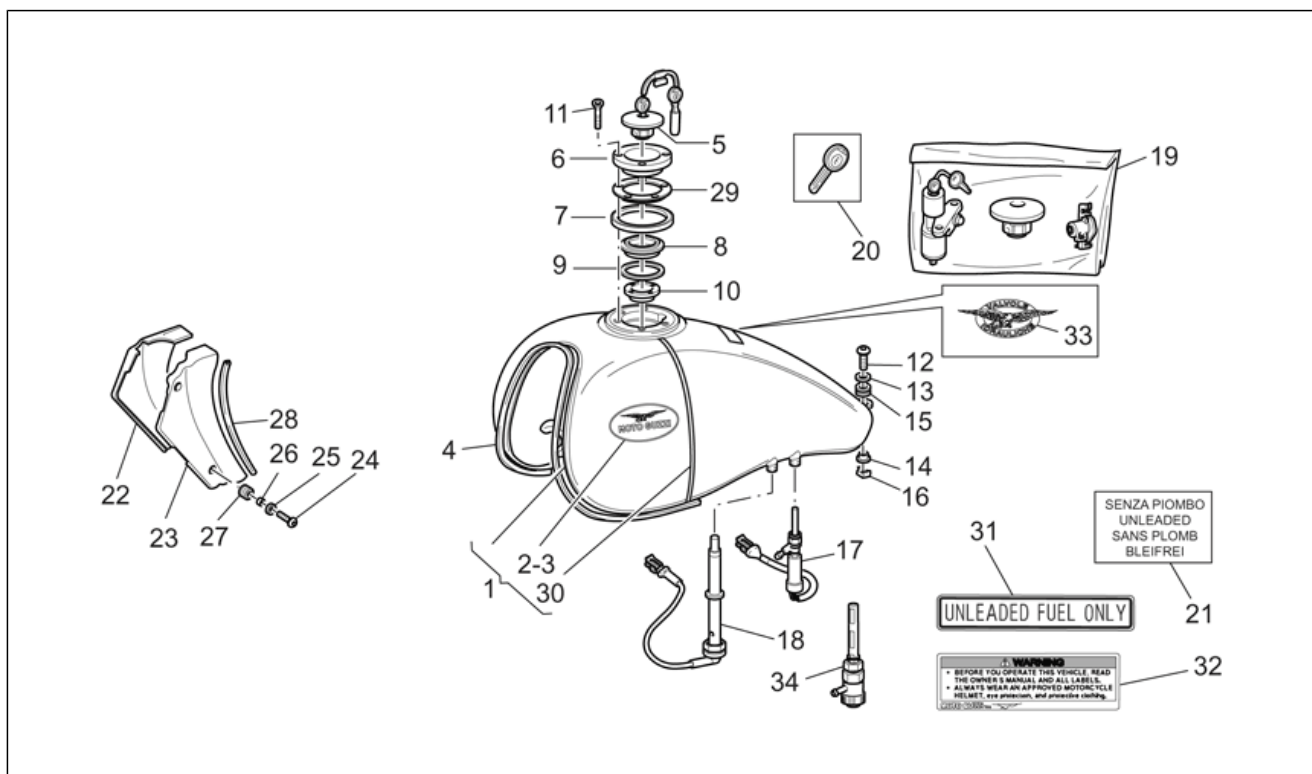
Pos.	Code	Beschrijving	Aant.	Varianten
25	GU98370614	Bolbout met binnenzeskant M6x14	1	
26	GU92640508	Moer M8	2	
27	GU98683635	Bout M12X35	1	
28	GU98681650	Bout	4	
29	GU17444250	Plaatje	2	
30	GU95100414	Sluitring	4	
31	GU95022112	Getande sluitring	4	
32	GU92606512	Moer laag M12x1,25	1	
33	GU92606312	Moer M12x1,25	3	
34	GU98683640	Bout M12X40	1	
35	GU93180245	Dop	1	
36	GU95005306	Sluitring 6,4x13x1,5	5	
37	GU30425260	Balk armen steun	1	
38	GU98350522	Bout	2	
39	GU95022110	Getande sluitring	2	
40	GU00823931055	Pakking	1	
41	GU03440730	Buis voetenst. re	1	
42	GU03441830	Buis voetenst. li	1	
43	GU03443730	Steun	2	
44	GU23442210	Pin	2	
45	GU95401215	Splitpen	2	
46	GU03441130	Veer	2	
47	GU95100250	Sluitring 8,5X18X0,5	2	
48	GU95129130	Elastische sluitring	2	
49	GU98350450	Bout	2	
50	GU92630708	Moer	2	

<b>Groep</b>	FRAME
<b>Code</b>	33.19
<b>Beschrijving</b>	Lateral stand
<b>Revisie</b>	1



Pos.	Code	Beschrijving	Aant.	Varianten
1	GU03432060	Laterale standaard	1	
2	GU18432760	Plaat	1	
3	GU14434000	Veer	2	
4	GU98084216	Registerbout	1	
5	GU92606205	Moer	1	
6	GU13433440	Blokje	1	
7	GU03432740	Blokkering	1	
8	GU95008210	Sluitring 10,2X18X2	1	
9	GU92630110	Moer M10X1,5	1	
10	GU03433850	Steunbeugel	1	
11	GU98682416	Binnenzeskantbout M8x16	3	
12	GU03270300	Sluitring 8,4x15	5	
13	GU98680440	Binnenzeskantbout M8x40	1	
14	GU03759150	Schakelaar bobines	1	
15	GU92606508	Moer	1	
16	GU03429765	Afstandhouder li	1	
17	GU03429865	Afstandhouder re	1	
18	GU95008306	Sluitring 6,4x12x1,2	1	
19	GU92606312	Moer M12x1,25	1	
20	GU39103400	Buffer	1	
21	GU98084316	Zeskantbout	1	
22	GU39103500	Schijf	1	
23	GU03013800	Sluitring 6,4x12	1	
24	GU92630707	Moer	1	
25	GU03429600	Pin M12x250	1	
26	GU95008313	Sluitring 13x24x2,5	2	

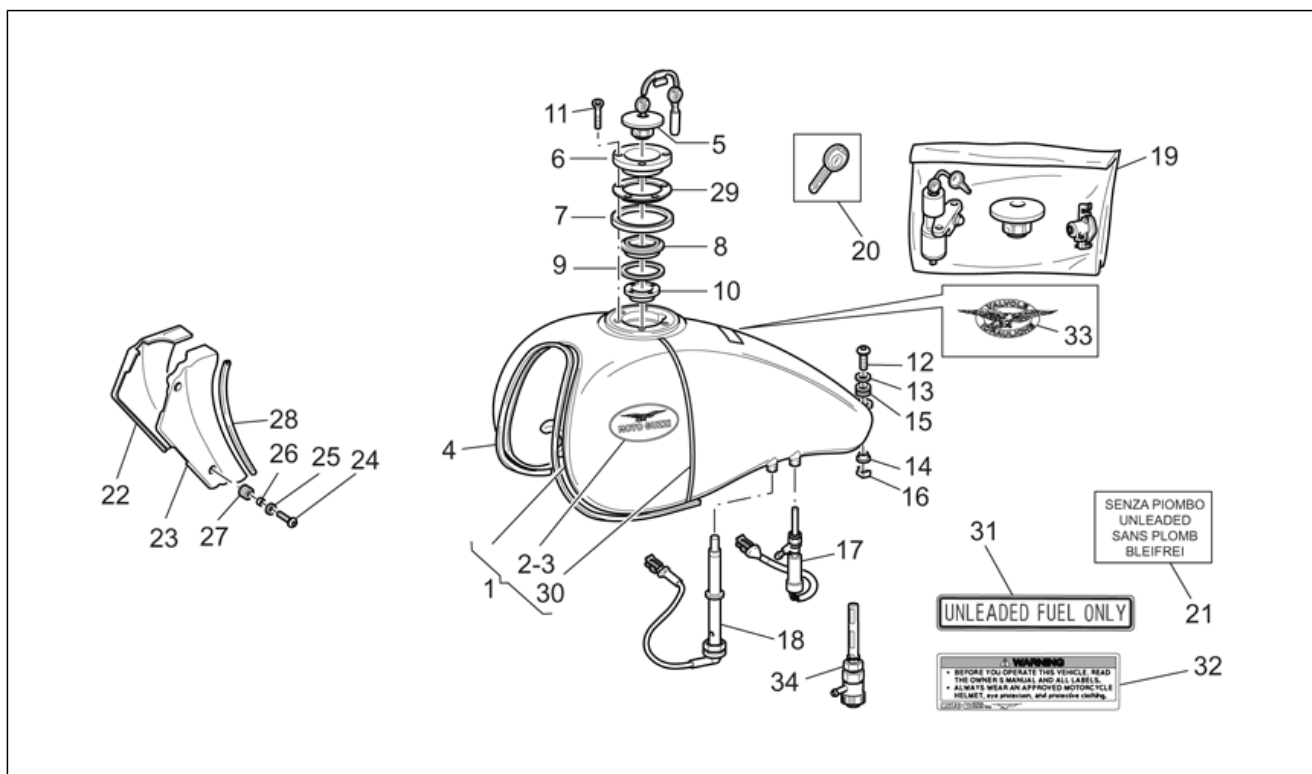
<b>Groep</b>	FRAME
<b>Code</b>	33.20
<b>Beschrijving</b>	Fuel tank
<b>Revisie</b>	1



Pos.	Code	Beschrijving	Aant.	Varianten
1	GU03100200	Brandstoftank ruw	1	
1	GU03100220	Brandstoftank ruw	1	LAND:United States of America[USA]
1	GU03100267	Brandstoftank staal	1	Bouwjaar:2002[2] Kleur van het voertuig:Iron/Platinum 2002[st/pl] Technical Specifications:Aluminium version[AL], Standard engine[STD]
1	GU89000408	Brandstoftank staal	1	Bouwjaar:2002[2] Kleur van het voertuig:Iron/Platinum 2002[st/pl] LAND:United States of America[USA] Technical Specifications:Aluminium version[AL], Engine with Hydraulic tappet[PI]
1	GU89000447	Brandstoftank staal	1	Bouwjaar:2002[2] Kleur van het voertuig:Iron/Platinum 2002[st/pl] Technical Specifications:Aluminium version[AL], Engine with Hydraulic tappet[PI]
1	GU89000448	Benzinetank rood/zwart	1	Bouwjaar:2002[2] Kleur van het voertuig:Black/Red 2002[bl/re] Technical Specifications:Spesial Sport Version[SS], Standard engine[STD]
1	GU89000449	Benzinetank zwart/goud	1	Bouwjaar:2002[2] Kleur van het voertuig:Black/Gold 2002[bl/go] Technical Specifications:Spesial Sport Version[SS], Standard engine[STD]
1	GU89000450	Benzinetank rood/zwart	1	Bouwjaar:2002[2] Kleur van het voertuig:Black/Red 2002[bl/re] LAND:United States of America[USA] Technical Specifications:Spesial Sport Version[SS], Standard engine[STD]
1	GU89000451	Benzinetank zwart/goud	1	Bouwjaar:2002[2] Kleur van het voertuig:Black/Gold 2002[bl/go] LAND:United States of America[USA] Technical Specifications:Spesial Sport Version[SS], Standard engine[STD]
1	GU89000473	Benzinetank rood/zwart	1	Bouwjaar:2002[2]

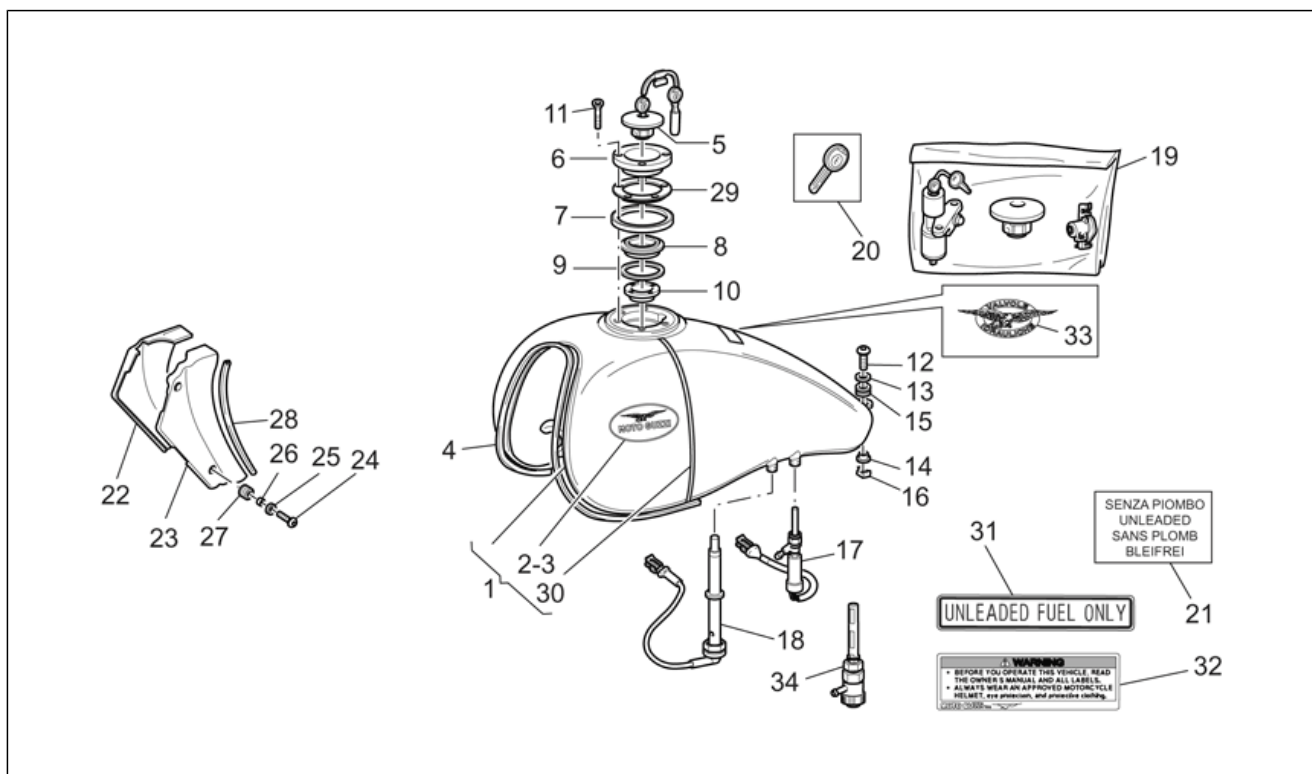


<b>Groep</b>	FRAME
<b>Code</b>	33.20
<b>Beschrijving</b>	Fuel tank
<b>Revisie</b>	1



Pos.	Code	Beschrijving	Aant.	Varianten
				<b>Kleur van het voertuig:</b> Black/Red 2002[bl/re] <b>Technical Specifications:</b> Engine with Hydraulic tappet[PI], Special Sport Version[SS]
1	GU89000474	Benzinetank zwart/goud	1	<b>Bouwjaar:</b> 2002[2] <b>Kleur van het voertuig:</b> Black/Gold 2002[bl/go] <b>Technical Specifications:</b> Engine with Hydraulic tappet[PI], Special Sport Version[SS]
1	GU89000475	Benzinetank rood/zwart	1	<b>Bouwjaar:</b> 2002[2] <b>Kleur van het voertuig:</b> Black/Red 2002[bl/re] <b>LAND:</b> United States of America[USA] <b>Technical Specifications:</b> Engine with Hydraulic tappet[PI], Special Sport Version[SS]
1	GU89000476	Benzinetank zwart/goud	1	<b>Bouwjaar:</b> 2002[2] <b>Kleur van het voertuig:</b> Black/Gold 2002[bl/go] <b>LAND:</b> United States of America[USA] <b>Technical Specifications:</b> Engine with Hydraulic tappet[PI], Special Sport Version[SS]
2	GU03917842	Dec."MotoGuzzi" re zwart/rood	2	<b>Kleur van het voertuig:</b> Black/Gold 2002[bl/go] <b>Technical Specifications:</b> Special Sport Version[SS]
2	GU03917843	Dec."MotoGuzzi" re grijs/rood	1	<b>Kleur van het voertuig:</b> Iron/Platinum 2002[st/pl] <b>Technical Specifications:</b> Aluminium version[AL]
2	GU03917861	Dec."MotoGuzzi" re zwart/geel	2	<b>Kleur van het voertuig:</b> Black/Red 2002[bl/re] <b>Technical Specifications:</b> Special Sport Version[SS]
3	GU03917942	Dec.li "MotoGuzzi" zwart/rood	2	<b>Kleur van het voertuig:</b> Black/Gold 2002[bl/go] <b>Technical Specifications:</b> Special Sport Version[SS]
3	GU03917943	Dec.li "MotoGuzzi" grijs/rood	1	<b>Kleur van het voertuig:</b> Iron/Platinum 2002[st/pl] <b>Technical Specifications:</b> Aluminium version[AL]
3	GU03917961	Dec."MotoGuzzi" re zwart/geel	2	<b>Kleur van het voertuig:</b> Black/Red 2002[bl/re] <b>Technical Specifications:</b> Special Sport Version[SS]
4	GU03106400	Pakking	1	
5	GU03103920	Tankdop	1	<b>LAND:</b> United States of America[USA]
5	GU03103950	Tankdop	1	
6	GU03101900	Flens	1	

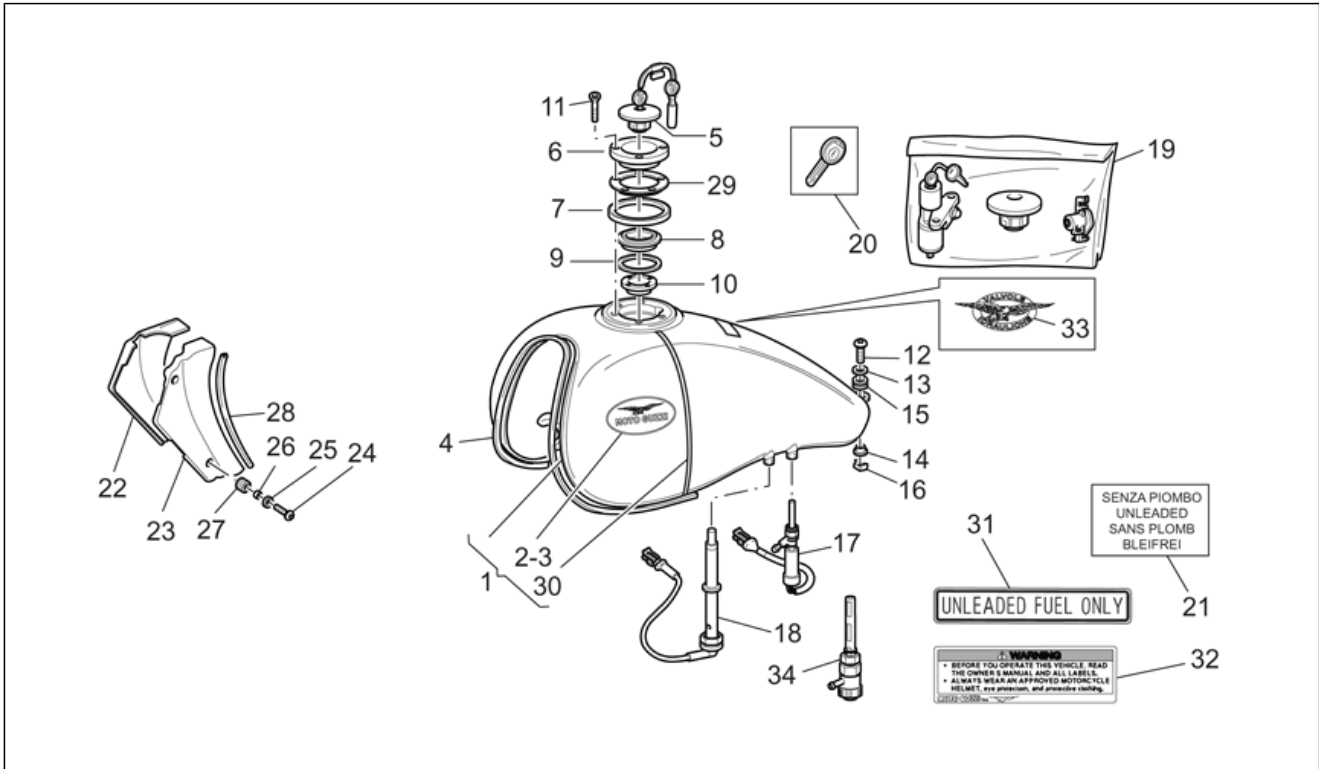
<b>Groep</b>	FRAME
<b>Code</b>	33.20
<b>Beschrijving</b>	Fuel tank
<b>Revisie</b>	1



Pos.	Code	Beschrijving	Aant.	Varianten
7	GU03102400	Pakking flens	1	
8	GU03102200	Moer dop	1	
9	GU03101600	Pakking	1	
10	GU03101720	Reductie 38 mm	1	
11	GU03103200	Bout	5	
12	GU98230830	Bout	1	
13	GU95100239	Sluistring	1	
14	GU31103565	Afstandhouder	1	
15	GU91551131	Rubbetje	1	
16	GU92660801	Moer in kooi	1	
17	GU03105300	Elektromagn.klep brandstof	1	
18	GU03103000	Sonde benzinepeil	1	
19	GU03736820	Kit sloten	1	LAND:United States of America[USA]
19	GU03736850	Kit sloten	1	
20	GU30735500	Sleutel glad onafgew.	1	
21	GU29995735	Decalomanie	1	
22	GU03472460	Wand re zwart	1	
23	GU03472960	Wand li zwart	1	
24	GU98370619	Bolbout met binnenzeskant	4	
25	GU03462801	Geprofil. sluitring	4	
26	GU91180600	Afstandhouder 6,25x8x5	4	
27	GU91551081	Rubbetje 8x15	4	
28	GU00823931055	Pakking	1	
29	GU03103500	Ring	1	
30	GU03921560	Decalco schroefdr. goud	1	
30	GU03921561	Decalco schroefdr. rood	1	
31	GU03995730	Plaat "Unleaded Fuelonly"	1	
32	GU30944300	Plaat "Attention"	1	

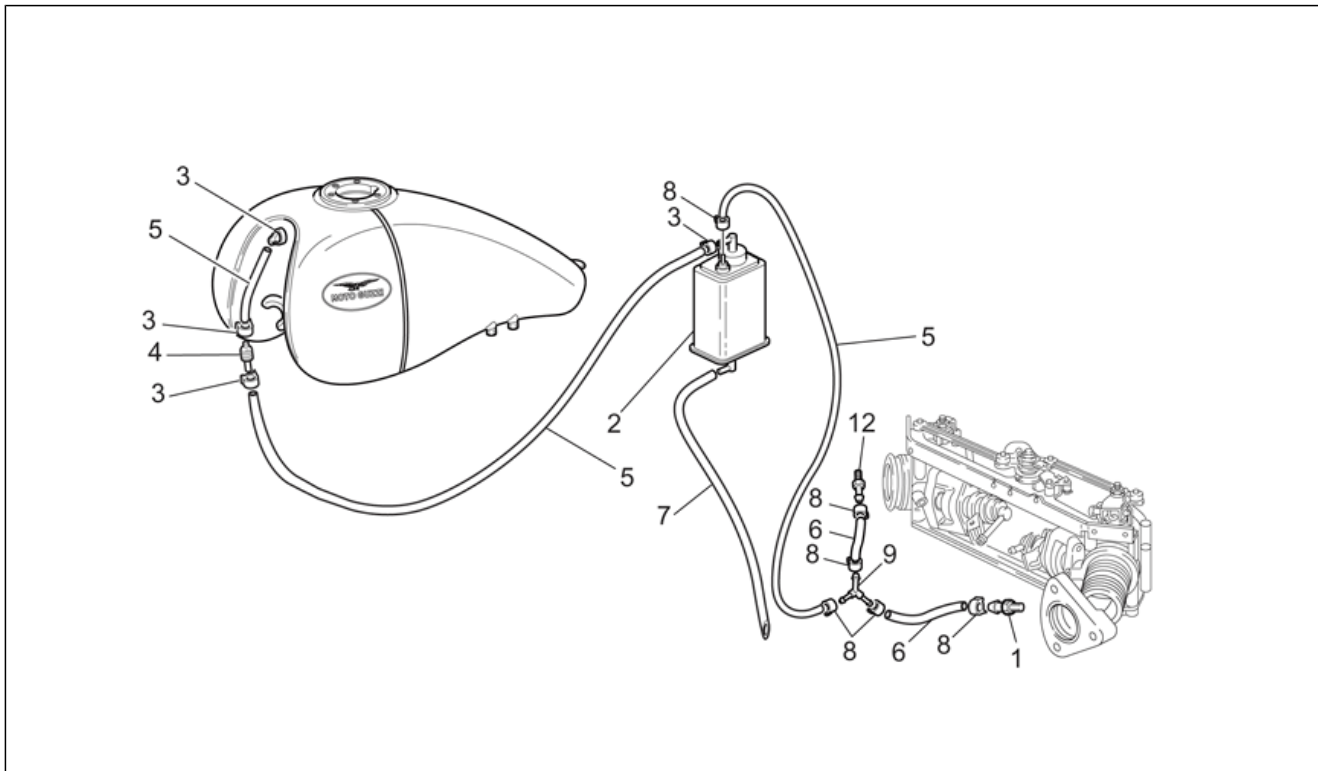


<b>Groep</b>	FRAME
<b>Code</b>	33.20
<b>Beschrijving</b>	Fuel tank
<b>Revisie</b>	1



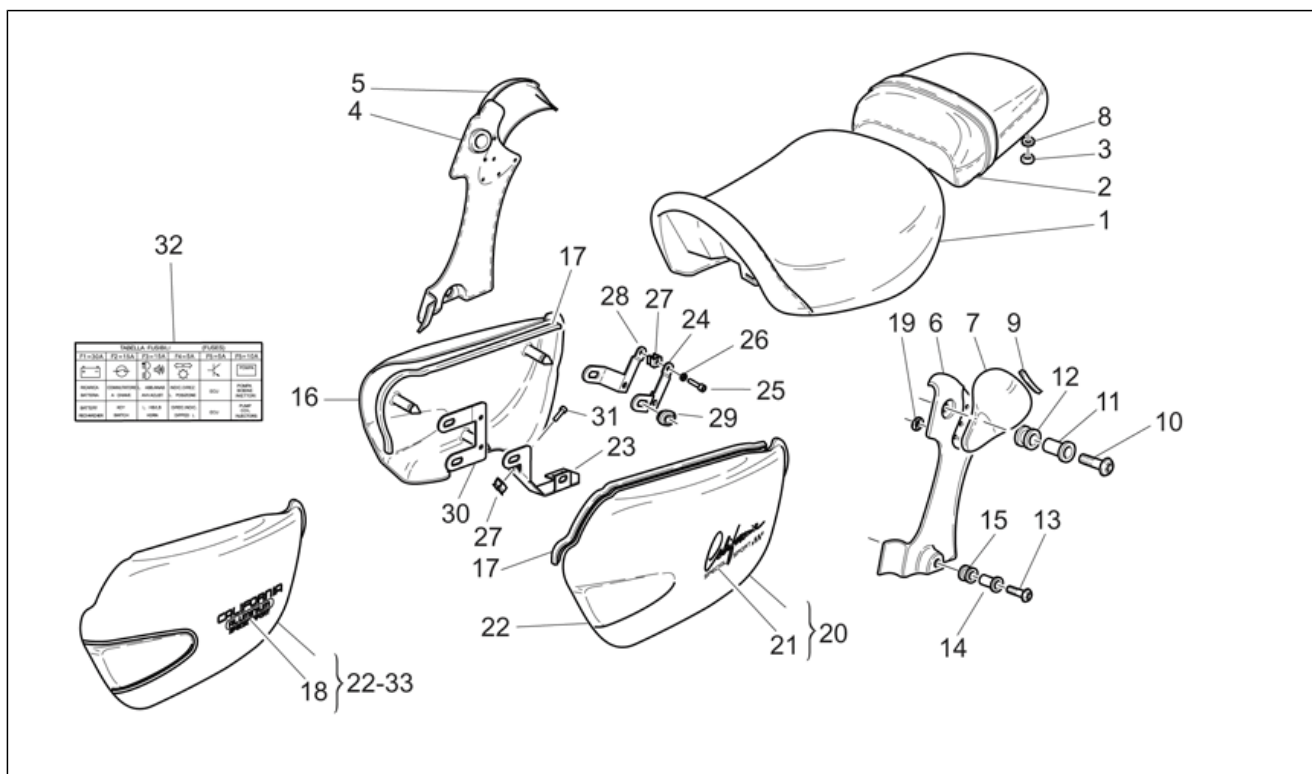
Pos.	Code	Beschrijving	Aant.	Varianten
33	GU03917543	Decalco hydraulische kleppen	1	Technical Specifications:Engine with Hydraulic tappet[PI]
34	GU01105460	Benzinekraan	1	

<b>Groep</b>	FRAME
<b>Code</b>	33.21
<b>Beschrijving</b>	Fuel vapour recover system
<b>Revisie</b>	1



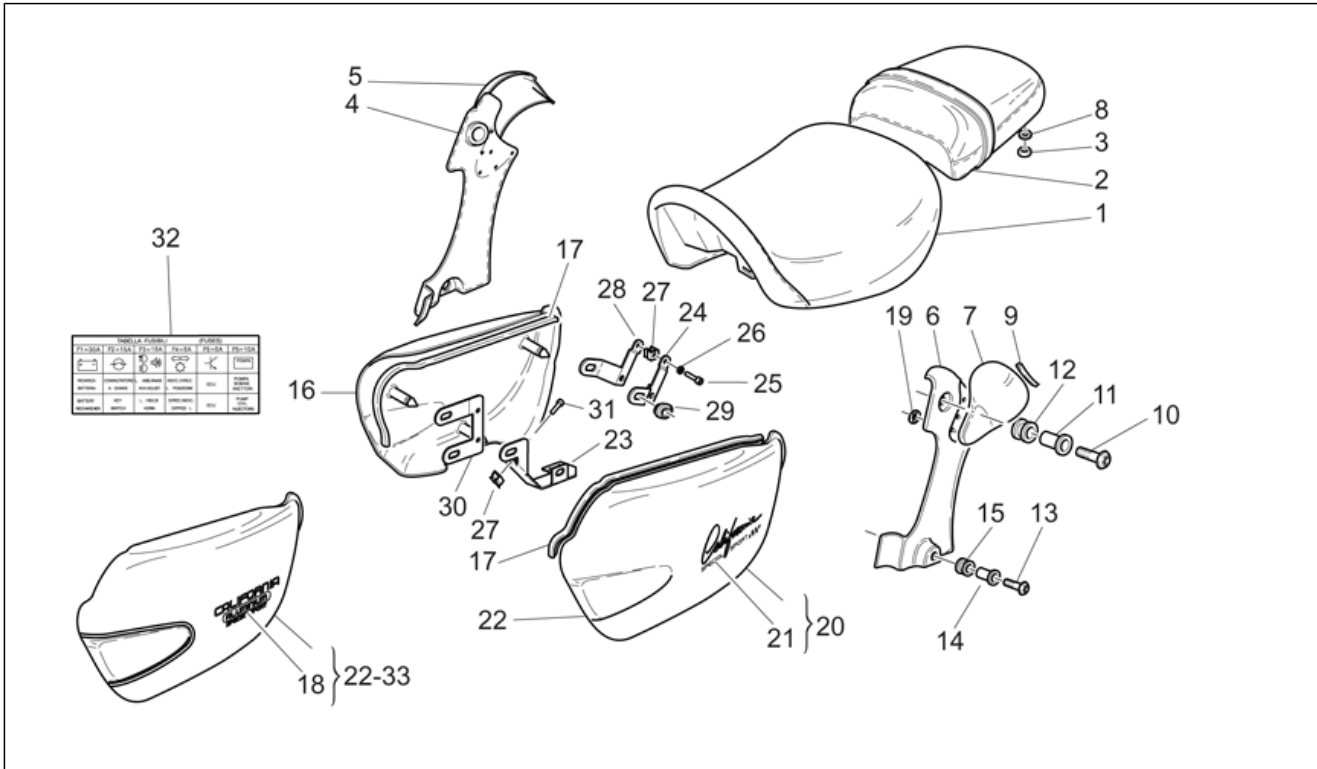
Pos.	Code	Beschrijving	Aant.	Varianten
1	GU30115220	Verbinding	2	LAND:United States of America[USA]
2	GU01116031	Koolfilter	1	LAND:United States of America[USA]
3	GU29108550	Klikband 11,5x6	4	LAND:United States of America[USA]
4	GU29104985	Klep ontluchting olie	1	LAND:United States of America[USA]
5	GU00823956060	Buis SAEJ30R76X121/4"	1	LAND:United States of America[USA]
6	GU00823956050	Buis SAE30 R73/16"	1	LAND:United States of America[USA]
7	GU00823956080	Rubberen buis 12,5X7,8 5/16"	1	LAND:United States of America[USA]
8	GU61108500	Klemmetje D9	6	LAND:United States of America[USA]
9	GU29106660	Driewegsverbinding	1	LAND:United States of America[USA]

<b>Groep</b>	FRAME
<b>Code</b>	33.22
<b>Beschrijving</b>	Saddle-Central bod
<b>Revisie</b>	1



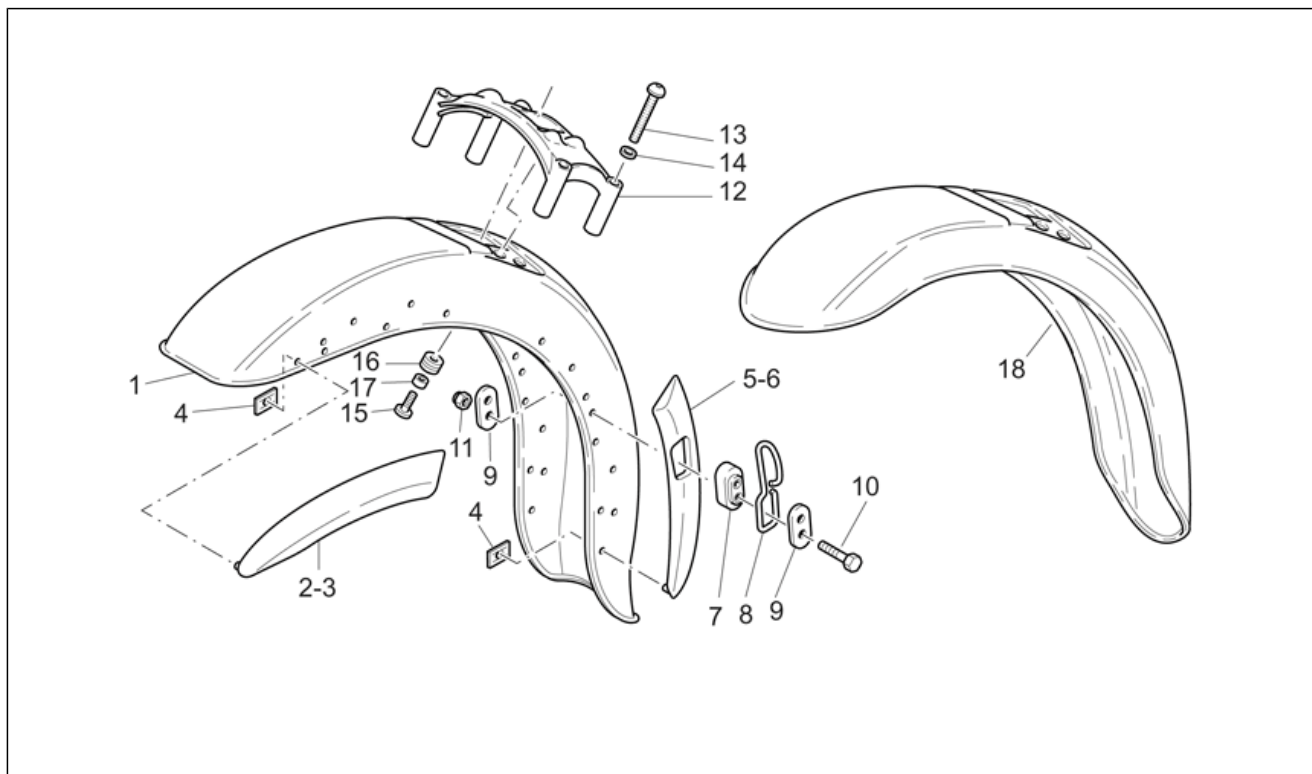
Pos.	Code	Beschrijving	Aant.	Varianten
1	GU03460560	Zadel	1	
2	GU03464060	Zadel pass.	1	
3	GU92630106	Moer M6x1	4	
4	GU03467330	Wand re ruw	1	
4	GU03467360	Wand re zwart	1	<b>Technical Specifications:</b> Spesial Sport Version[SS]
4	GU03467366	Wand re staal	1	<b>Technical Specifications:</b> Aluminium version[AL]
5	GU03558130	Bescherming re verchr.	1	<b>Technical Specifications:</b> Spesial Sport Version[SS]
5	GU03558165	Bescherming schokdemper re staal	1	<b>Technical Specifications:</b> Aluminium version[AL]
6	GU03466930	Wand re ruw	1	
6	GU03466960	Wand re zwart	1	<b>Technical Specifications:</b> Spesial Sport Version[SS]
6	GU03466966	Wand re staal	1	<b>Technical Specifications:</b> Aluminium version[AL]
7	GU03558230	Bescherming li verchr.	1	<b>Technical Specifications:</b> Spesial Sport Version[SS]
7	GU03558265	Bescherming schokdemper li staal	1	<b>Technical Specifications:</b> Aluminium version[AL]
8	GU95100141	Sluitring 6,4x12x1,2	4	
9	GU00823931082	Rubber	1	
10	GU98223830	Bout	2	
11	GU03459330	Afstandhouder bov.	2	
12	GU91551165	Stift	2	
13	GU98223625	Bolbout met binnenzeskant, geflenst M6x25	2	
14	GU03459331	Afstandhouder ond.	2	
15	GU91551010	Rubbetje	2	
16	GU03476265	Bedekk.accumul.re ruw	1	
16	GU03476267	Bedekk.accumul.re zwart	1	<b>Technical Specifications:</b> Spesial Sport Version[SS]
17	GU00823931070	Pakking	1	
18	GU03922065	Dec."California Alum.SS"	1	<b>Technical Specifications:</b> Aluminium version[AL]
19	GU03922231	Clip	8	
20	GU03476365	Bedekk.accumul.li ruw	1	
20	GU03476367	Bedekk.accumul.li zwart	1	<b>Technical Specifications:</b> Spesial Sport Version[SS]

<b>Groep</b>	FRAME
<b>Code</b>	33.22
<b>Beschrijving</b>	Saddle-Central bod
<b>Revisie</b>	1



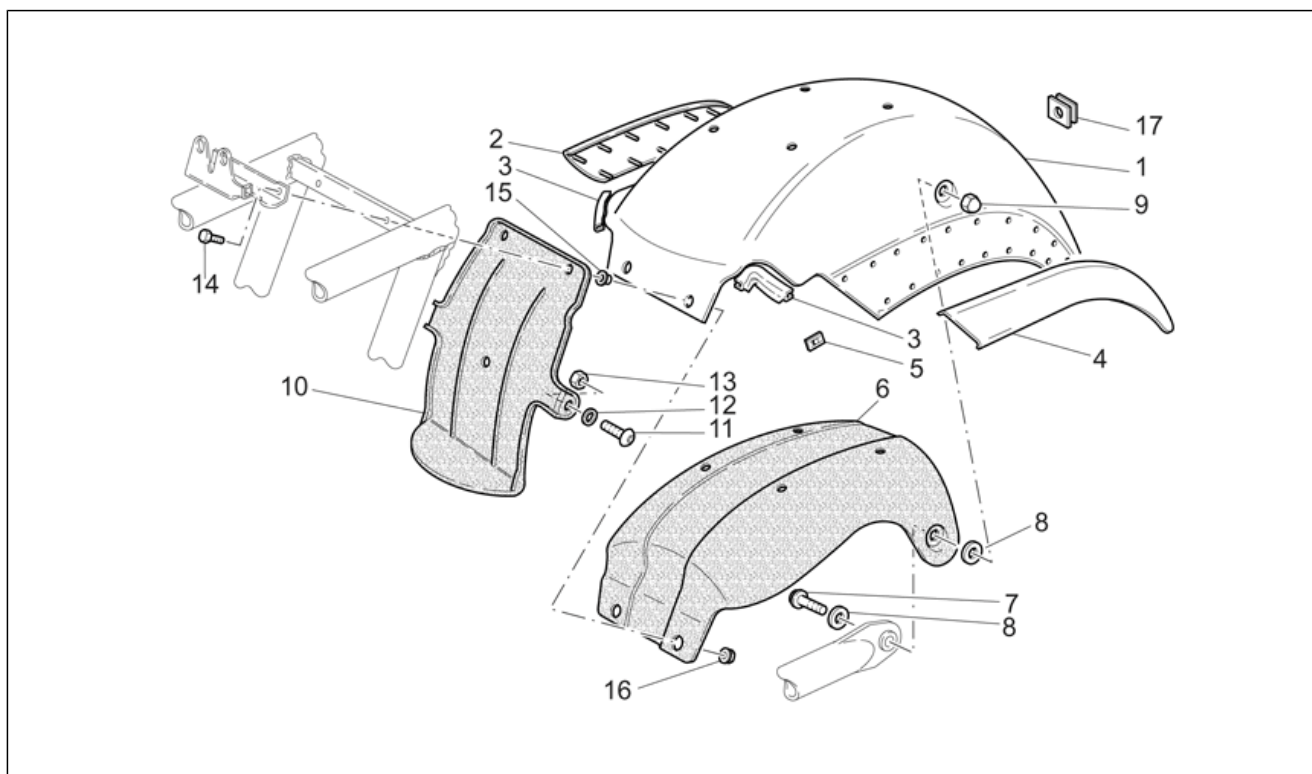
Pos.	Code	Beschrijving	Aant.	Varianten
21	GU03922060	Decalc. "Calif.SpecialSport"	2	<b>Technical Specifications:</b> Spesial Sport Version[SS]
22	GU03476266	Bedekk.accumul.re zwart	1	<b>Technical Specifications:</b> Aluminium version[AL]
23	GU03478265	Plaat voor.li	1	
24	GU03478331	Plaat acht.li	1	
25	GU98230620	Bout	2	
26	GU95008206	Sluitring 6,15x11x0,8	2	
27	GU92660601	Moer in kooi	2	
28	GU03478330	Plaat acht.re	1	
29	GU02573900	Rubbetje	6	
30	GU03478165	Plaat voor.re	1	
31	GU98350315	Bolbout met binnenzeskant M6x14	1	
32	GU03945450	Decalco tabel zekeringen	1	
33	GU03476366	Bedekk.accumul.li staal	1	<b>Technical Specifications:</b> Aluminium version[AL]

<b>Groep</b>	FRAME
<b>Code</b>	33.23
<b>Beschrijving</b>	Front mudguard
<b>Revisie</b>	1



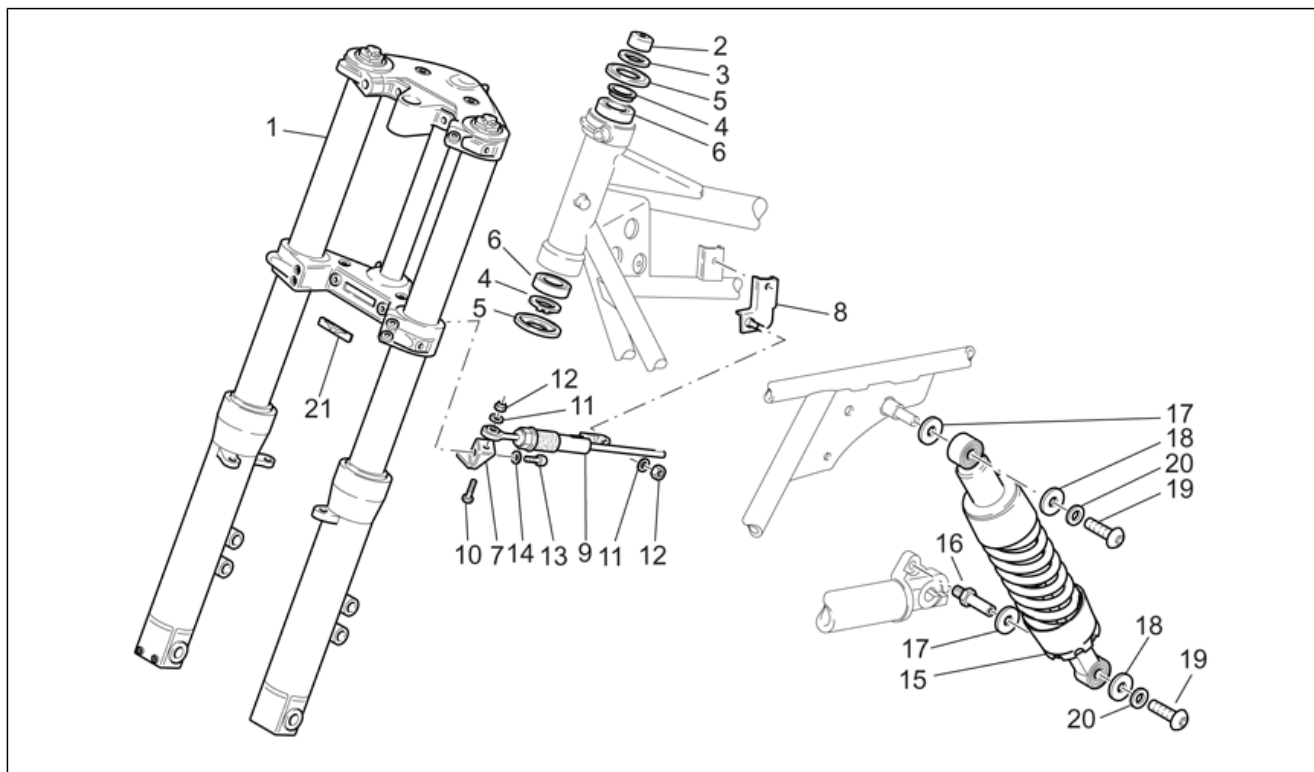
Pos.	Code	Beschrijving	Aant.	Varianten
1	GU03434300	Spatbord voor.ruw	1	Technical Specifications:Spesial Sport Version[SS]
1	GU03434360	Spatbord voor.zwart	1	Technical Specifications:Spesial Sport Version[SS]
2	GU03435200	Profiel voor.re verchr.	1	Technical Specifications:Spesial Sport Version[SS]
3	GU03435400	Profiel voor.li verchr.	1	Technical Specifications:Spesial Sport Version[SS]
4	GU39922200	Plaatje	28	Technical Specifications:Spesial Sport Version[SS]
5	GU03435300	Profiel acht.re verchr.	1	Technical Specifications:Spesial Sport Version[SS]
6	GU03435500	Profiel acht.li verchr.	1	Technical Specifications:Spesial Sport Version[SS]
7	GU03436400	Rubbertje	1	Technical Specifications:Spesial Sport Version[SS]
8	GU03436500	Kabelgeleider	1	Technical Specifications:Spesial Sport Version[SS]
9	GU03436300	Plaatje	2	Technical Specifications:Spesial Sport Version[SS]
10	GU98082225	Zeskantbout	2	Technical Specifications:Spesial Sport Version[SS]
11	GU92787205	Moer blind	2	Technical Specifications:Spesial Sport Version[SS]
12	GU03436600	Stabiliseerplaat	1	
13	GU98370850	Bolbout met binnenzeskant	4	
14	GU95005308	Sluitring 8,4x14,57x1,6	4	
15	GU98370622	Bolbout met binnenzeskant	4	
16	GU91551010	Rubbertje	4	
17	GU30576100	Afstandhouder D.6,5	4	
18	GU03434365	Spatbord voor.ruw	1	Technical Specifications:Aluminium version[AL]
18	GU03434366	Spatbord voor.staal	1	Technical Specifications:Aluminium version[AL]

<b>Groep</b>	FRAME
<b>Code</b>	33.24
<b>Beschrijving</b>	Rear mudguard
<b>Revisie</b>	1



Pos.	Code	Beschrijving	Aant.	Varianten
1	GU03437130	Spatbord acht. ruw	1	
1	GU03437160	Spatbord acht.zwart	1	<b>Technical Specifications:</b> Spesial Sport Version[SS]
1	GU03437166	Spatbord acht. staal	1	<b>Technical Specifications:</b> Aluminium version[AL]
2	GU03437730	Profiel voor.re verchr.	1	<b>Technical Specifications:</b> Spesial Sport Version[SS]
2	GU03437765	Profiel acht.re staal	1	<b>Technical Specifications:</b> Aluminium version[AL]
3	GU00155930171	Pakking	1	
4	GU03437830	Profiel acht.li verchr.	1	<b>Technical Specifications:</b> Spesial Sport Version[SS]
4	GU03437865	Profiel acht.li staal	1	<b>Technical Specifications:</b> Aluminium version[AL]
5	GU03922230	Klem	42	
6	GU03437430	Beugel spatbord acht.	1	
7	GU98223825	Geflenste bout	2	
8	GU95005312	Sluitring 8,5x24x2	4	
9	GU92787008	Moer blind M8x1,25	2	
10	GU03438030	Spatbordjes	1	
11	GU98230625	Bolbout met binnenzeskant M6x25	2	
12	GU95001205	Sluitring	2	
13	GU92630107	Moer	2	
14	GU98350325	Bolbout met binnenzeskant M6x22	2	
15	GU03578730	Afstandhouder	2	
16	GU92650036	Moer geflenst M6	2	
17	GU91551099	Rubbetje	1	

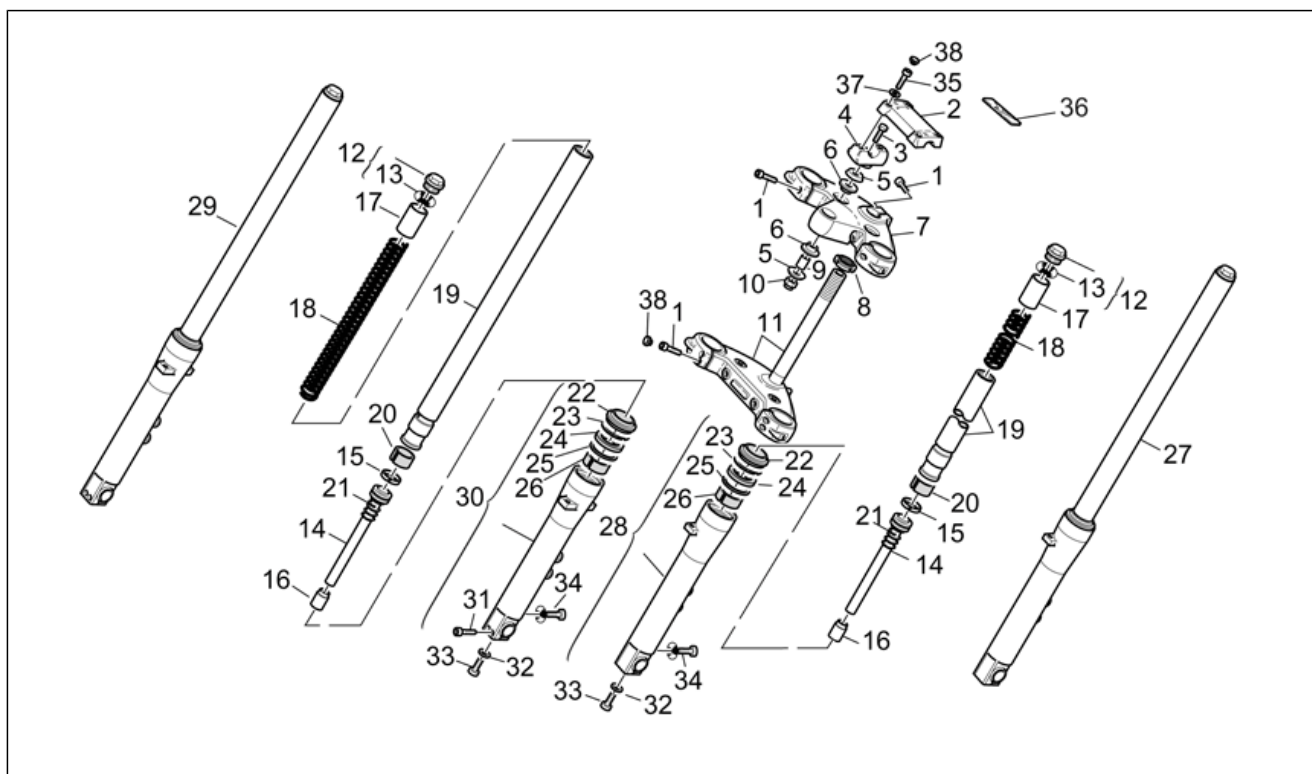
<b>Groep</b>	FRAME
<b>Code</b>	33.25
<b>Beschrijving</b>	F.fork-R.shock absorber
<b>Revisie</b>	1



Pos.	Code	Beschrijving	Aant.	Varianten
1	GU03490261	Vork	1	
2	GU30513401	Bevest.moer kop	1	
3	GU30516500	Sluitring	1	
4	GU14516700	Steunende sluitring	2	
5	GU14517000	Stofkeerring	2	
6	GU92249225	Conische kogellager	2	
7	GU03531800	Plaat schokdemper	1	
8	GU03531000	Plaat	1	
9	GU03530270	Stuurdemper SEBAC	1	
10	GU98084325	Zeskantbout M6x25	1	
11	GU95008306	Sluitring 6,4x12x1,2	3	
12	GU92630707	Moer	2	
13	GU98350320	Bolbout met binnenzeskant M6x20	1	
14	GU03013800	Sluitring 6,4x12	1	
15	GU03550260	Schokdemper Sachs	2	
16	GU03541850	Pin van de achtervork	1	
17	GU95100432	Sluitring	4	
18	GU95100141	Sluitring 6,4x12x1,2	4	
19	GU98370614	Bolbout met binnenzeskant M6x14	4	
20	GU03270300	Sluitring 8,4x15	4	
21	GU01517700	Plaat "Aquila"	1	



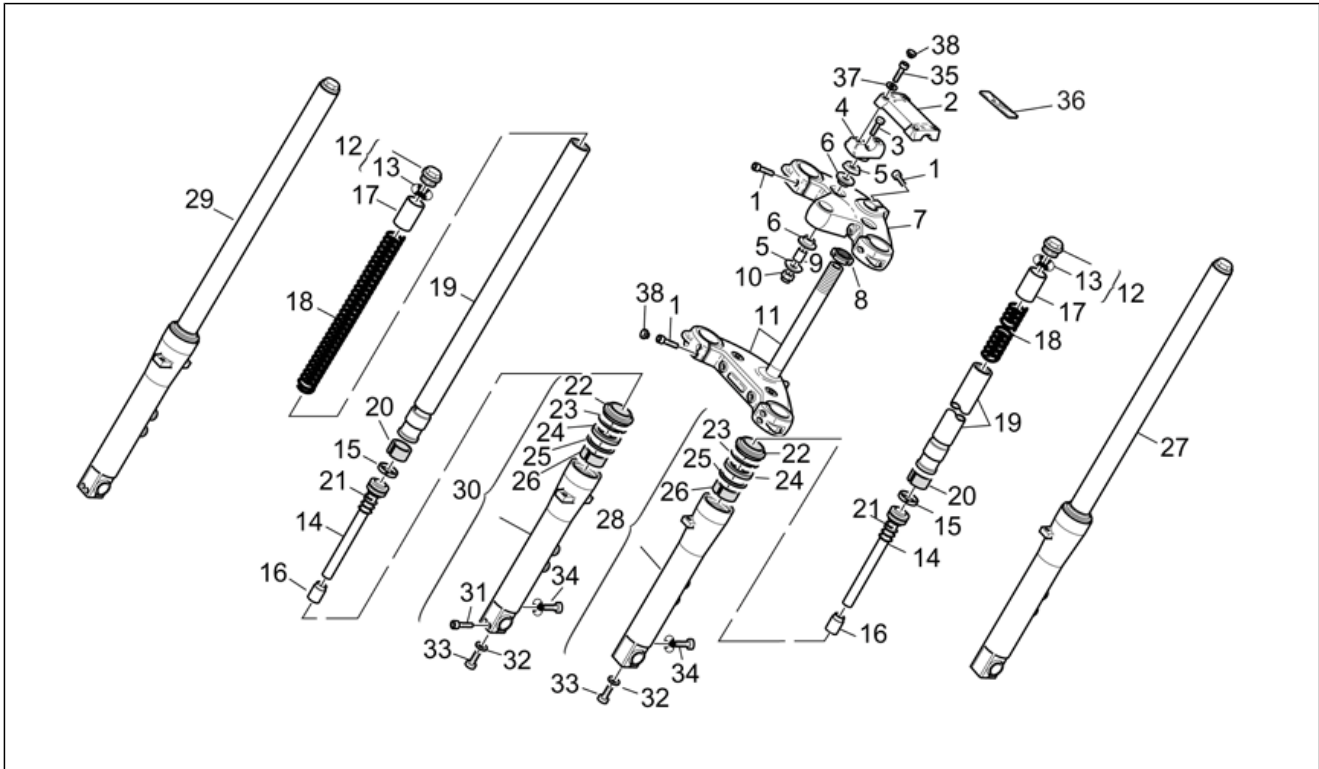
<b>Groep</b>	FRAME
<b>Code</b>	33.26
<b>Beschrijving</b>	Front fork
<b>Revisie</b>	1



Pos.	Code	Beschrijving	Aant.	Varianten
1	GU98622430	Bout	5	
2	GU03500660	Beugel	1	
3	GU98052560	Bout M10x60	2	
4	GU03500260	Beugel ond.	2	
5	GU27530505	Plaatje	4	
6	GU27530503	Rubbetje	4	
7	GU03493100	Plaat bov.vork	1	
8	GU03498100	Moer	1	
9	GU03530503	Afstandhouder	2	
10	GU92630110	Moer M10X1,5	2	
11	GU03494000	Basis met kop	1	
12	GU03530548	Dop cpl.	2	
13	GU03530541	OR-ring	2	
14	GU03530549	StAAF	2	
15	GU03530550	Segment	2	
16	GU03530551	Buffer	2	
17	GU03530552	Buis voorbelasting	2	
18	GU03526600	Veer	2	
19	GU03525440	Stang	2	
20	GU03530510	Huls ond.	2	
21	GU03530553	Tegenveer	2	
22	GU03530524	Stofkeerring	2	
23	GU03530525	Blokkeerring	2	
24	GU03530526	Dichtingsring	2	
25	GU03530527	Plaatje	2	
26	GU03530528	Huls bov.	2	
27	GU03490730	Stang li cpl.	1	
28	GU03522601001	Hulsel li	1	

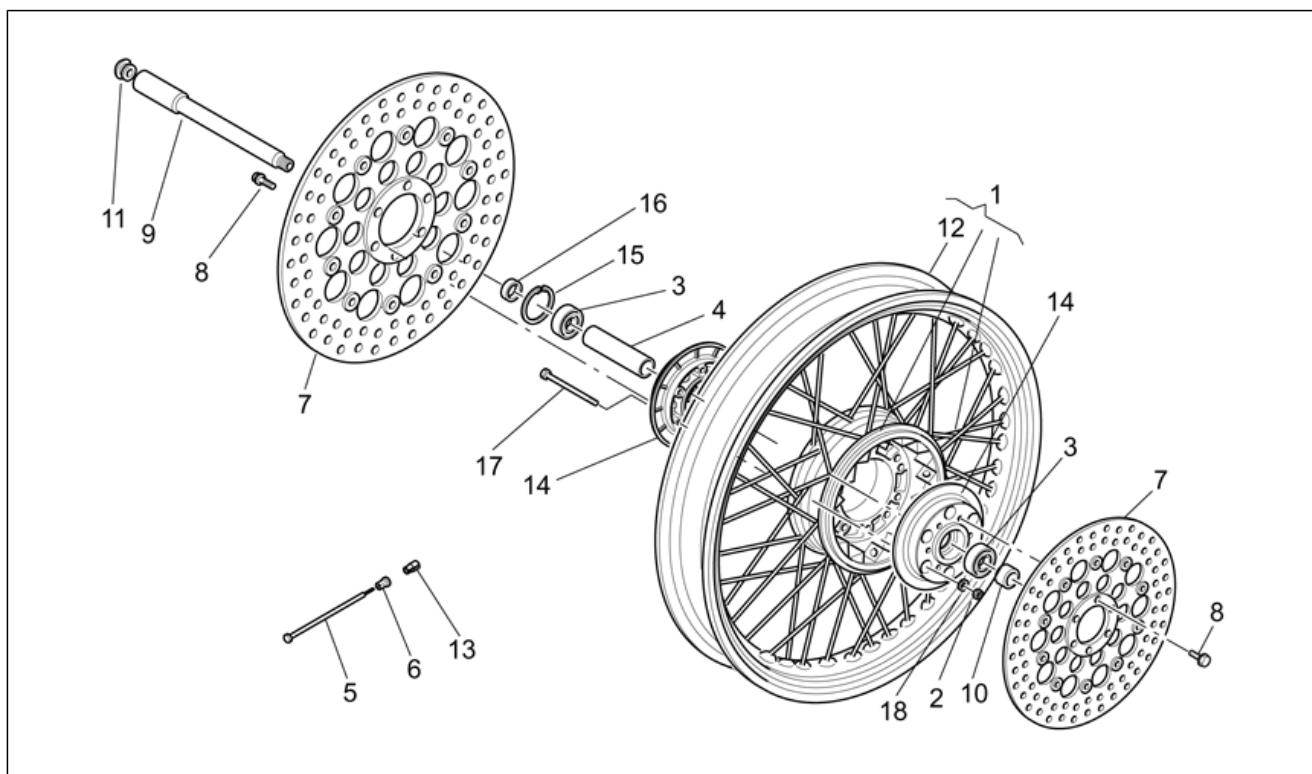


<b>Groep</b>	FRAME
<b>Code</b>	33.26
<b>Beschrijving</b>	Front fork
<b>Revisie</b>	1



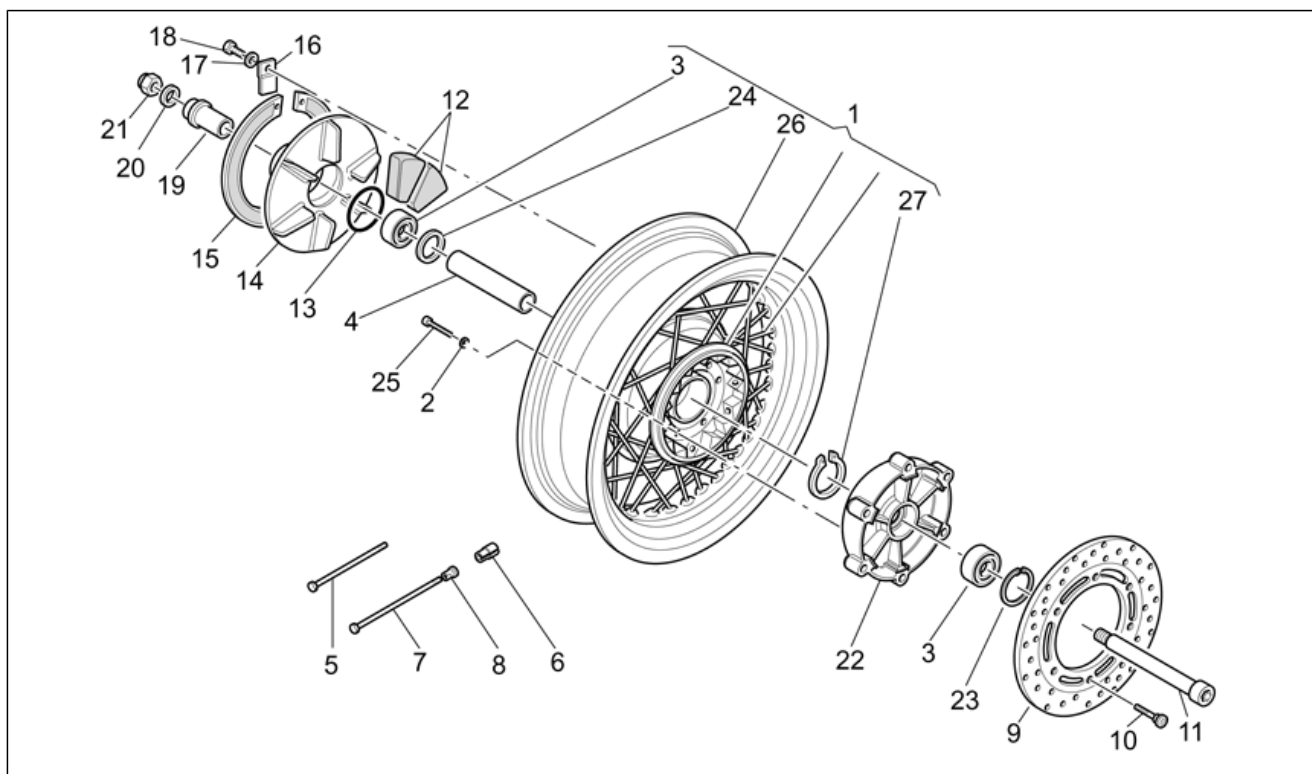
Pos.	Code	Beschrijving	Aant.	Varianten
29	GU03490630	Stang re cpl.	1	
30	GU03522501001	Hulsel re	1	
31	GU98680340	Binnenzeskantbout M6x40	2	
32	GU03530529	Sluitring	2	
33	GU03530530	Bout M10x30	2	
34	GU03530521	Buffer bodem	2	
35	GU98370619	Bolbout met binnenzeskant	4	
36	GU01517700	Plaat "Aquila"	1	
37	GU95005307	Sluitring 6,4x11x0,8	4	
38	GU23943410	Dop verchr.	8	

<b>Groep</b>	FRAME
<b>Code</b>	33.27
<b>Beschrijving</b>	Front wheel
<b>Revisie</b>	1



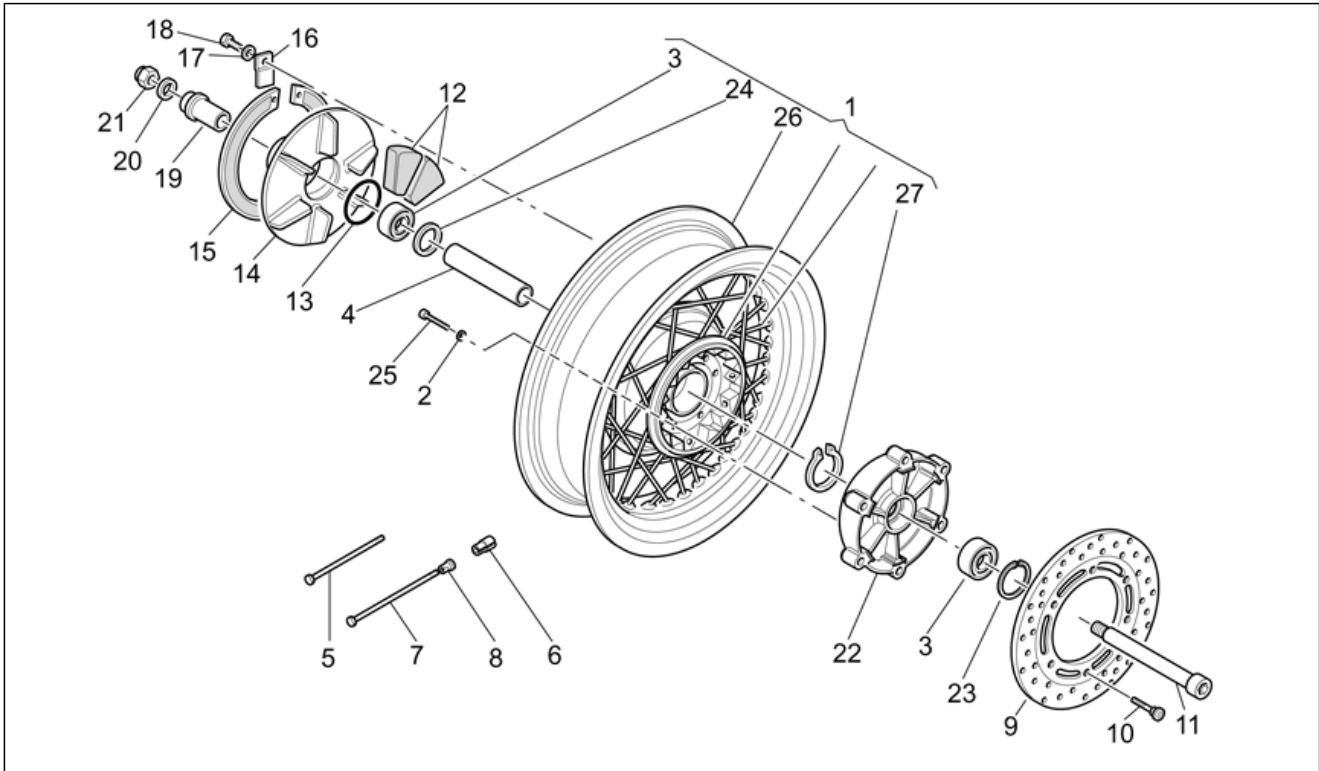
Pos.	Code	Beschrijving	Aant.	Varianten
1	GU03610340	Voorwiel naked 2,50x18"	1	
2	GU92630508	Moer	6	
3	GU92204220	Kogellager 20X47X14	2	
4	GU29615260	Afstandhouder lagere	1	
5	GU03611640	Spaak	40	
6	GU03611741	Nippel	40	
7	GU31613383	Remschijf voor	2	
8	GU03611445	Zeskantbout geflenst M8x20	12	
9	GU03614101	Pin voorwiel	1	
10	GU03616340	Afstandhouder li	1	
11	GU93180111	Dop 15 mm	1	
12	GU03610840	Voorvelg 2,50x18"	1	
13	GU12616101	Tegengewicht 15 gr.	1	
13	GU12616102	Tegengewicht 20 g	1	
13	GU12616103	Tegengewicht 30 g	1	
14	GU03620340	Flens	2	
15	GU90272047	Seegerring 47X50,5	1	
16	GU03615640	Afstandhouder	1	
17	GU98082480	Bout M8x80	6	
18	GU14615901	Sluitring 8,4X13X0,8	6	

<b>Groep</b>	FRAME
<b>Code</b>	33.28
<b>Beschrijving</b>	Rear wheel
<b>Revisie</b>	1



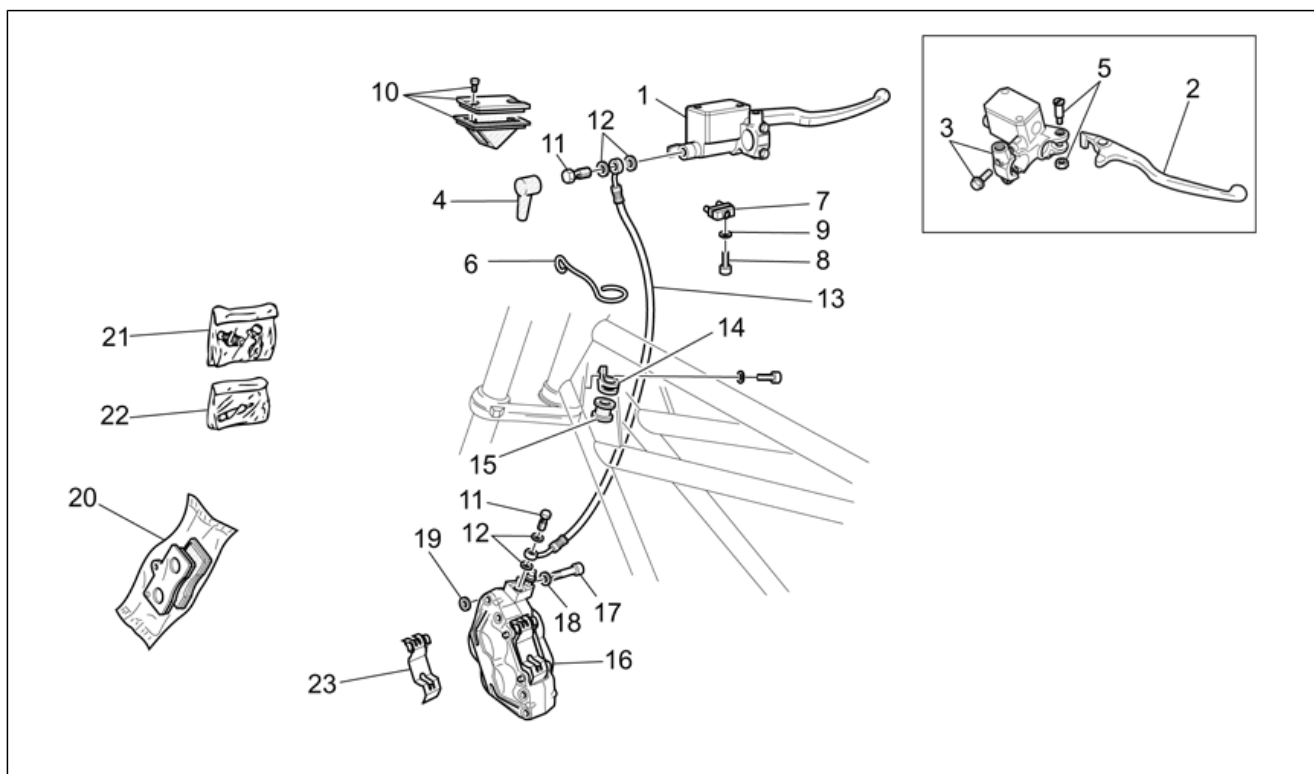
Pos.	Code	Beschrijving	Aant.	Varianten
1	GU03630650	Achterwiel naked 3,50x17"	1	
2	GU14615901	Sluitring 8,4X13X0,8	6	
3	GU92204220	Kogellager 20X47X14	2	
4	GU14634051	Afstandhouder lagere	1	
5	GU30631160	Spaak kort	20	
6	GU12616101	Tegengewicht 15 gr.	1	
6	GU12616102	Tegengewicht 20 g	1	
6	GU12616103	Tegengewicht 30 g	1	
7	GU30631430	Spaak lang	20	
8	GU03611740	Nippel	40	
9	GU03635701	Remschijf acht. goud	1	
10	GU30611460	Bout	6	
11	GU03633350	Pin achterwiel	1	
12	GU01336800	Schokbescherming	12	
13	GU90706490	OR-ring	1	
14	GU30335260	Schijf schokbesch.	1	
15	GU14335303	Elastische ring	1	
16	GU17335950	Plaatje	1	
17	GU03013800	Sluitring 6,4x12	1	
18	GU98084312	Zeskantbout M6x12	1	
19	GU03634150	Afstandhouder	1	
20	GU95008219	Sluitring 19x34x3	1	
21	GU92630718	Moer	1	
22	GU03632440	Naaf schijfhouder	1	
23	GU90272047	Seegerring 47X50,5	1	
24	GU17633550	Plaatje	1	
25	GU98822430	Bout M8x30	6	
26	GU03630740	Achtervelg 3,50x17"	1	

<b>Groep</b>	FRAME
<b>Code</b>	33.28
<b>Beschrijving</b>	Rear wheel
<b>Revisie</b>	1



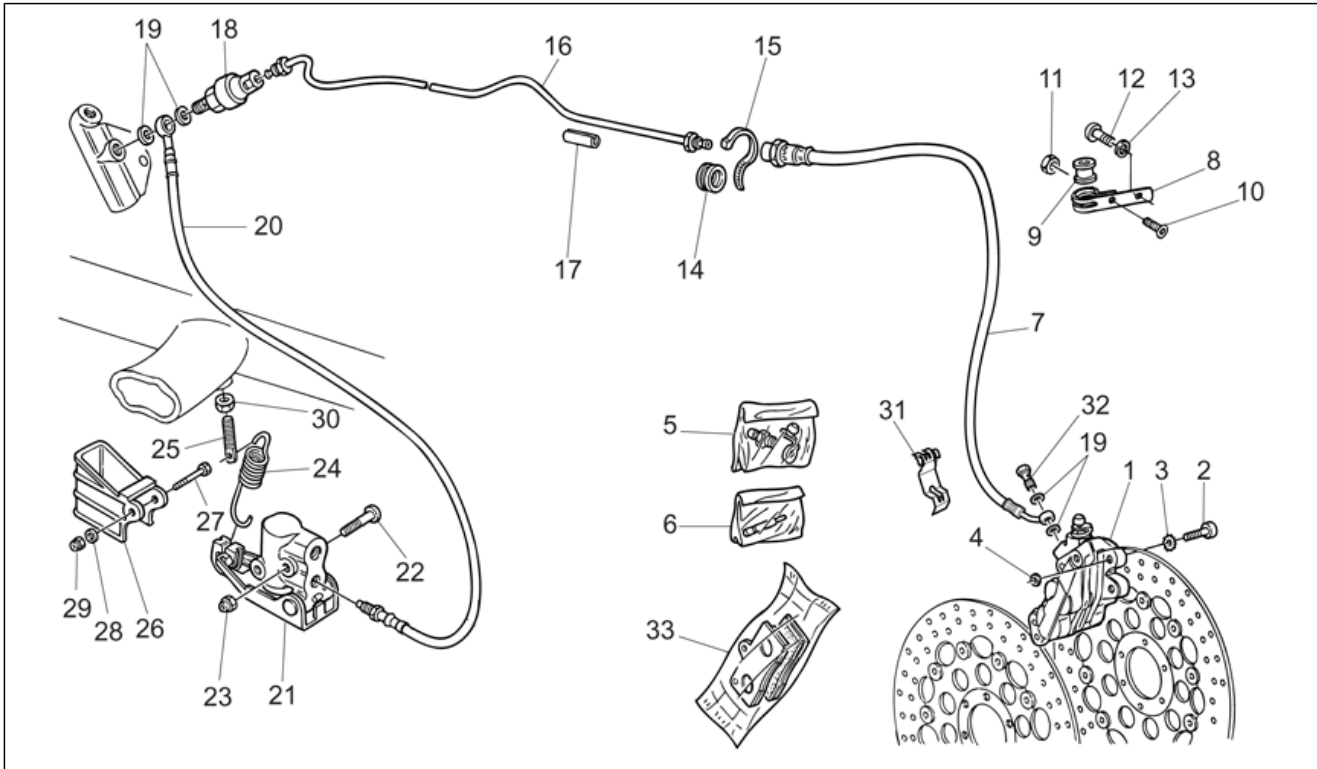
Pos.	Code	Beschrijving	Aant.	Varianten
27	GU90271055	Seegerring	1	

<b>Groep</b>	FRAME
<b>Code</b>	33.29
<b>Beschrijving</b>	RH Front brake system
<b>Revisie</b>	1



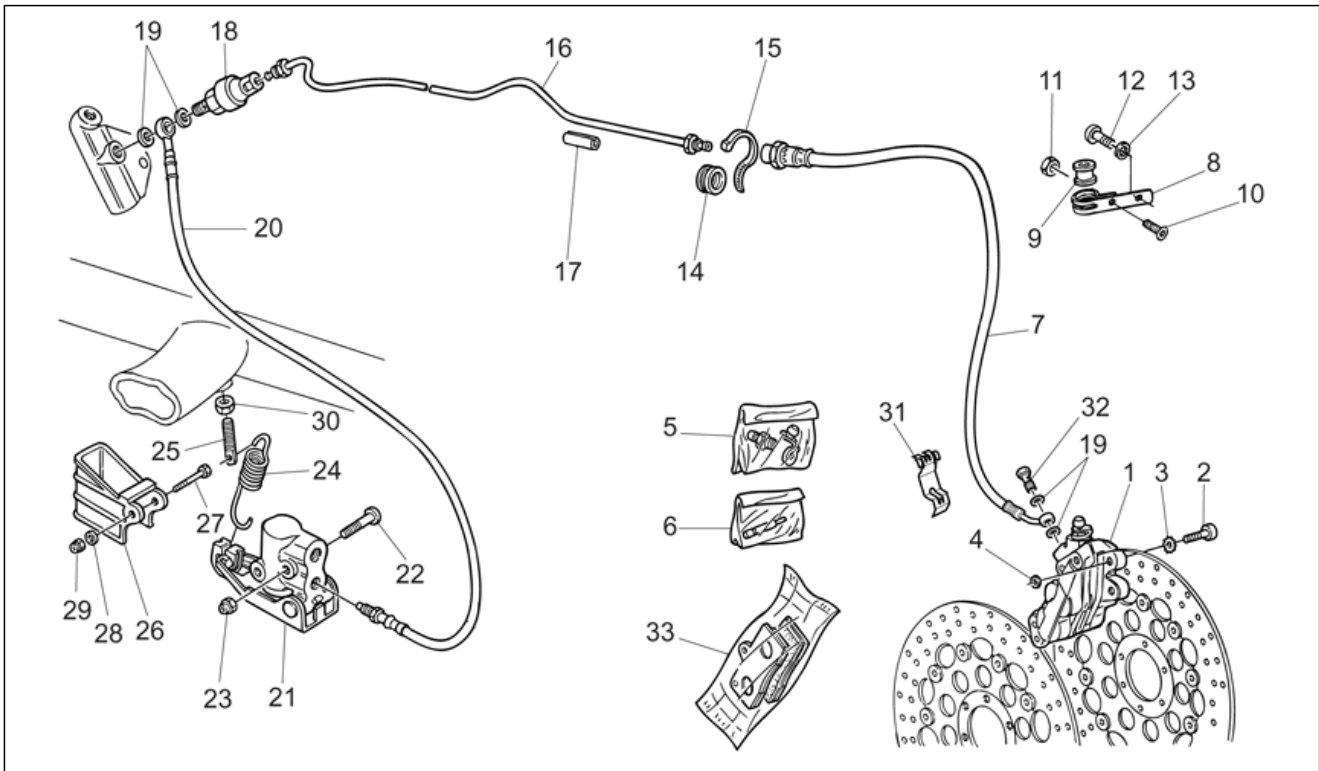
Pos.	Code	Beschrijving	Aant.	Varianten
1	GU03660145	Pomp voorrem	1	
2	GU03605645	Remhendel	1	
3	GU03664045	Beugel	1	
4	GU39663801	Kapje	1	
5	GU03604845	Pin hendel	1	
6	GU03659700	Kabelgeleider	1	
7	GU03749845	Stopschakelaar	1	
8	GU98370412	Bolbout met binnenzeskant M4x12	1	
9	GU95021204	Sluitring	1	
10	GU03661145	Bedekking pomp	1	
11	GU95990028	Bout olieleiding *	2	
12	GU25656100	Pakking in aluminium	2	
13	GU03657101	Flexibele buis	1	Technical Specifications:Special Sport Version[SS]
13	GU03657165	Remleiding re	1	Technical Specifications:Aluminium version[AL]
14	GU03658430	Klemmetje	1	
15	GU03658201	Ring	1	
16	GU01652330	Tang voorrem re goud	1	
17	GU98683530	Bout M10x30	2	
18	GU19149800	Sluitring 10,5x16x1	2	
19	GU95100332	Steunende sluitring 0,5 mm	1	
19	GU95100333	Steunende sluitring 0,8 mm	1	
20	GU01654630	Pastilles - koppel	1	
21	GU01659230	Ontluchting+kapje	1	
22	GU01659130	Pinnen+Veren tang	1	
23	GU01659131	Veer	1	

<b>Groep</b>	FRAME
<b>Code</b>	33.30
<b>Beschrijving</b>	LH Front brake system
<b>Revisie</b>	1



Pos.	Code	Beschrijving	Aant.	Varianten
1	GU01652230	Tang voorrem li goud	1	
2	GU98683530	Bout M10x30	2	
3	GU19149800	Sluitring 10,5x16x1	2	
4	GU95100332	Steunende sluitring 0,5 mm	1	
4	GU95100333	Steunende sluitring 0,8 mm	1	
5	GU01659230	Ontluchting+kapje	2	
6	GU01659130	Pinnen+Veren tang	2	
7	GU03658801	Remleiding	1	
8	GU03658330	Klemmetje	1	
9	GU03658201	Ring	1	
10	GU98280410	Bout	1	
11	GU92630104	Moer M4x0,7	1	
12	GU98350315	Bolbout met binnenzesant M6x14	1	
13	GU03013800	Sluitring 6,4x12	1	
14	GU91551120	Ring	1	
15	GU14609650	Klemmetje 3,6x20,6	1	
16	GU30658760	Harde leiding	1	
17	GU17659650	Elastische klemring	1	
18	GU03668500	Vertr.klep 4,5 bar	1	
19	GU25656100	Pakking in aluminium	4	
20	GU03656200	Remleiding	1	
21	GU03668200	Remcorrector	1	
22	GU98350440	Bout	2	
23	GU92630108	Moer	2	
24	GU03668801	Veer	1	
25	GU03667300	Registerbout	1	
26	GU03668900	Bescherming veer	1	
27	GU98082250	Bout	1	

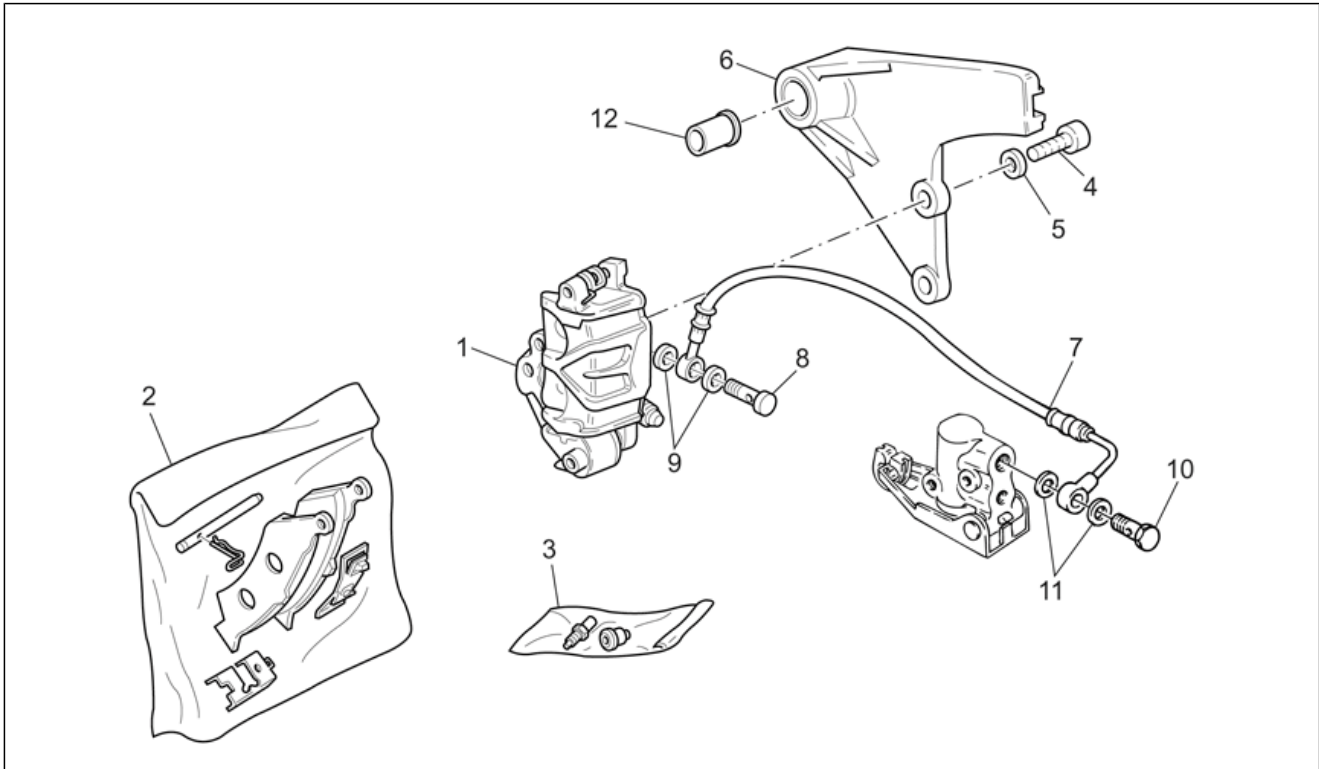
<b>Groep</b>	FRAME
<b>Code</b>	33.30
<b>Beschrijving</b>	LH Front brake system
<b>Revisie</b>	1



Pos.	Code	Beschrijving	Aant.	Varianten
28	GU95008205	Sluitring 5,3x10x0,8	2	
29	GU92630205	Moer	1	
30	GU92602408	Moer	1	
31	GU01659131	Veer	1	
32	GU95990028	Bout olieleiding *	2	
33	GU01654630	Pastilles - koppel	2	



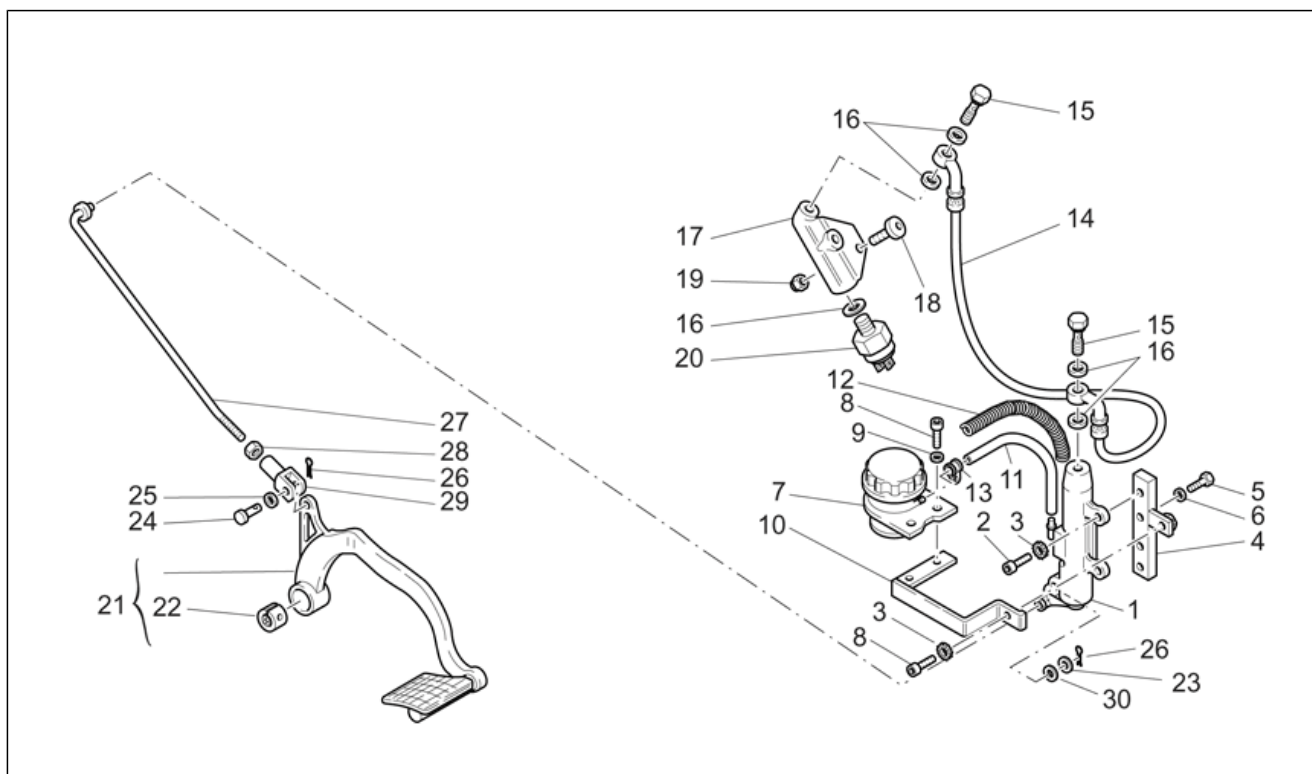
<b>Groep</b>	FRAME
<b>Code</b>	33.31
<b>Beschrijving</b>	Rear brake caliper
<b>Revisie</b>	1



Pos.	Code	Beschrijving	Aant.	Varianten
1	GU03653001	Tang achterrem goud	1	
2	GU03654600	Kit pastilles	1	
3	GU31659260	Ontluchting+kapje BREMBO D.10	2	
4	GU98682530	Binnenzeskantbout M10x30	2	
5	GU19149800	Sluitring 10,5x16x1	2	
6	GU03635851	Plaat koppeling remtang	1	
7	GU03657500	Remleiding	1	
8	GU95990028	Bout olieleiding *	1	
9	GU25656100	Pakking in aluminium	2	
10	GU95990040	Geperfor. bout	1	
11	GU12006400	Pakking in aluminium 12,25	2	
12	GU03634850	Afstandhouder	1	

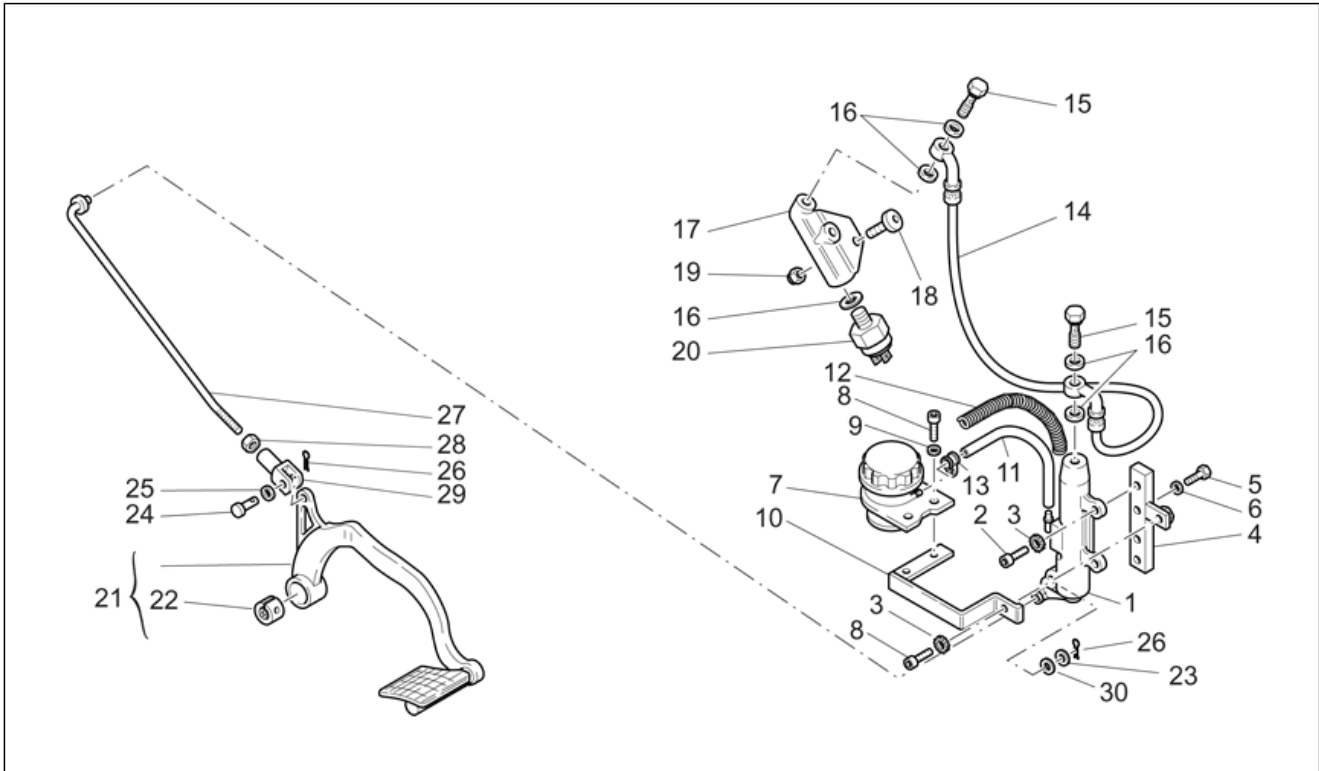


<b>Groep</b>	FRAME
<b>Code</b>	33.32
<b>Beschrijving</b>	Rear master cylinder
<b>Revisie</b>	1



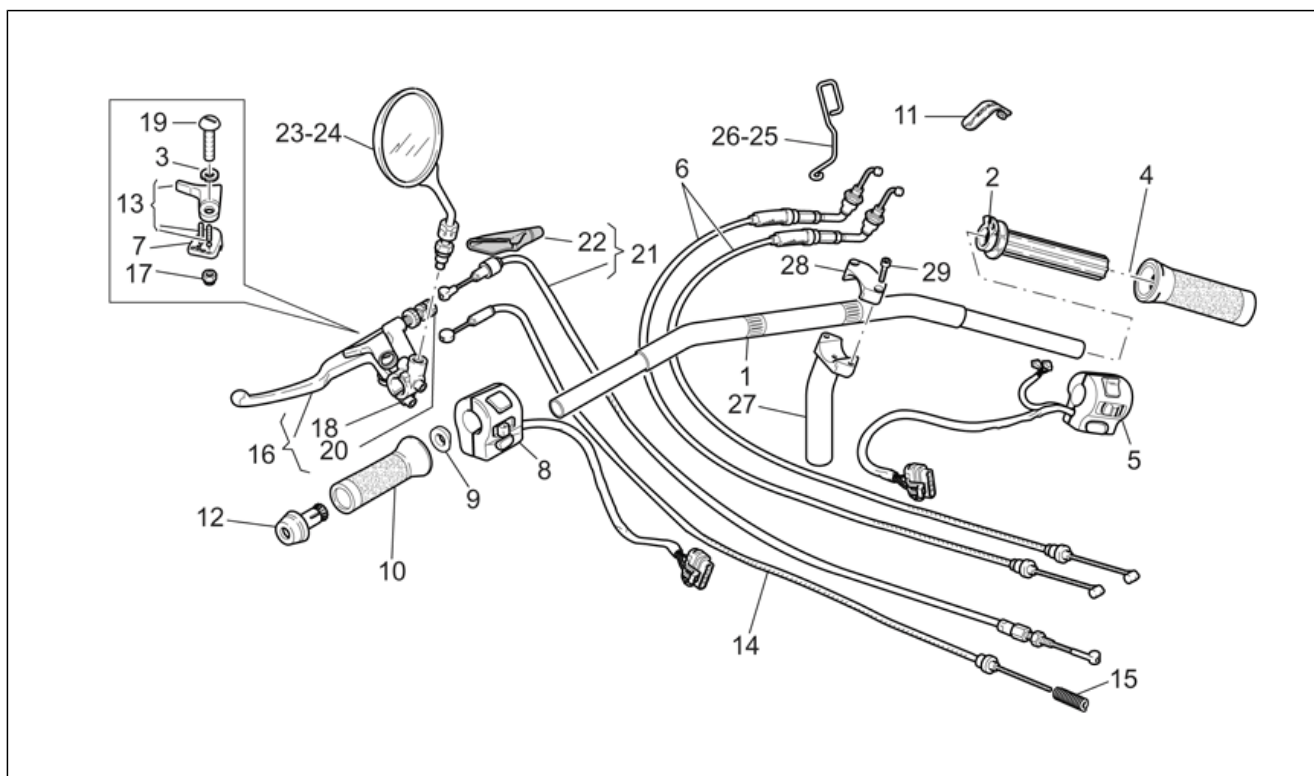
Pos.	Code	Beschrijving	Aant.	Varianten
1	GU30666960	Pomp van de achterrem	1	
2	GU98682325	Binnenzeskantbout M6x25	2	
3	GU14217901	Gekart. sluitring 6,4x10x0,7	3	
4	GU30666760	Steunplaat	1	
5	GU98084412	Bout	2	
6	GU14615901	Sluitring 8,4X13X0,8	2	
7	GU65663500	Oliereservoir remmen	1	
8	GU98682310	Binnenzeskantbout M6x10	3	
9	GU95008306	Sluitring 6,4x12x1,2	2	
10	GU30666060	Plaatje oliereservoir	1	
11	GU00823950050	Olieleiding	1	
12	GU30665860	Veer	1	
13	GU61108500	Klemmetje D9	2	
14	GU03658500	Buis pomp-klep	1	
15	GU95990028	Bout olieleiding *	2	
16	GU25656100	Pakking in aluminium	2	
17	GU17656850	Verdeler	1	
18	GU98230616	Bout	1	
19	GU92630206	Moer M6x1	1	
20	GU63657000	Hydraulische schakelaar	1	
21	GU03675930	Hendel achterrem	1	
22	GU30678160	Beslagring	1	
23	GU95100173	Sluitring 7,5x13x1	1	
24	GU95780267	Plug	1	
25	GU95129110	Sluitring antitrilling	4	
26	GU95500221	Splitpen	2	
27	GU30675160	Trekker	1	
28	GU92609007	Moer	1	

<b>Groep</b>	FRAME
<b>Code</b>	33.32
<b>Beschrijving</b>	Rear master cylinder
<b>Revisie</b>	1



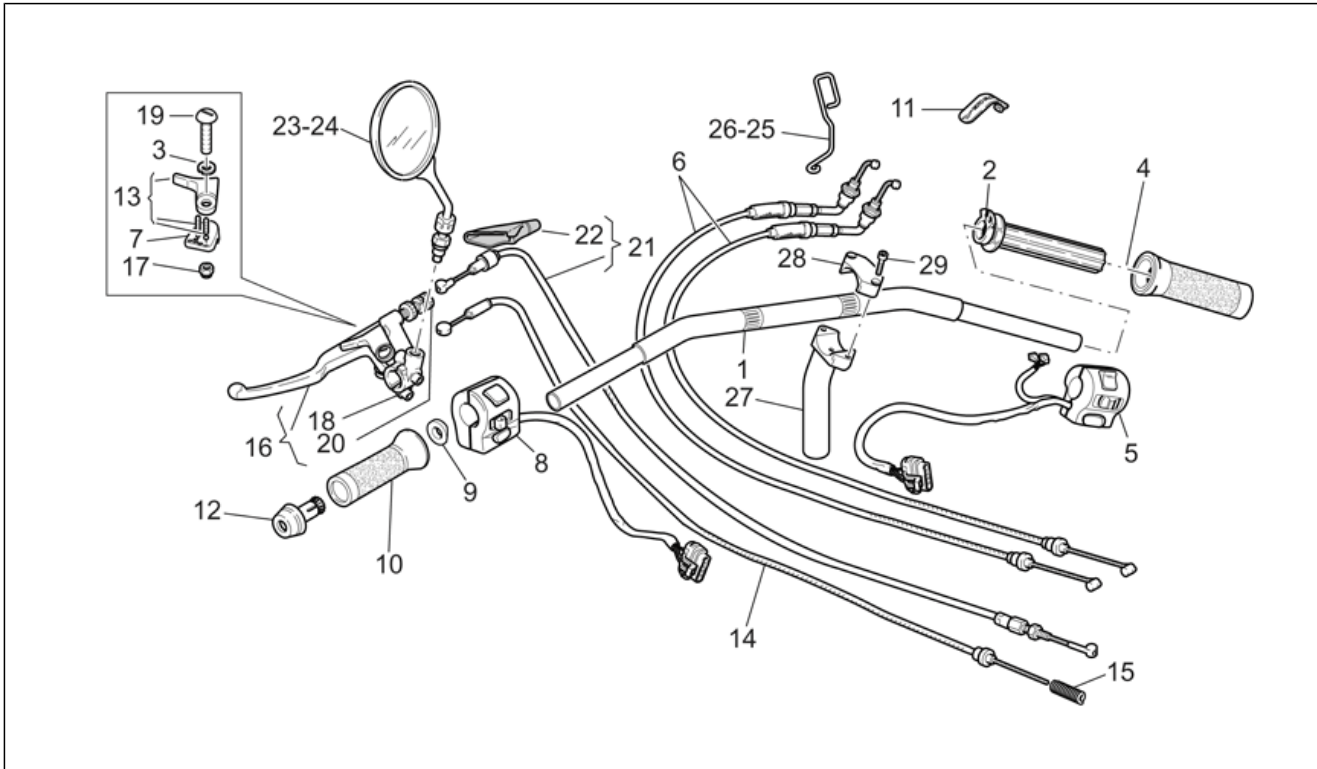
Pos.	Code	Beschrijving	Aant.	Varianten
29	GU95740175	Buigpunt	1	
30	GU95129131	Sluitring gegolfd 8,4x15x1,7	1	

<b>Groep</b>	FRAME
<b>Code</b>	33.33
<b>Beschrijving</b>	Handlebar - Controls
<b>Revisie</b>	1



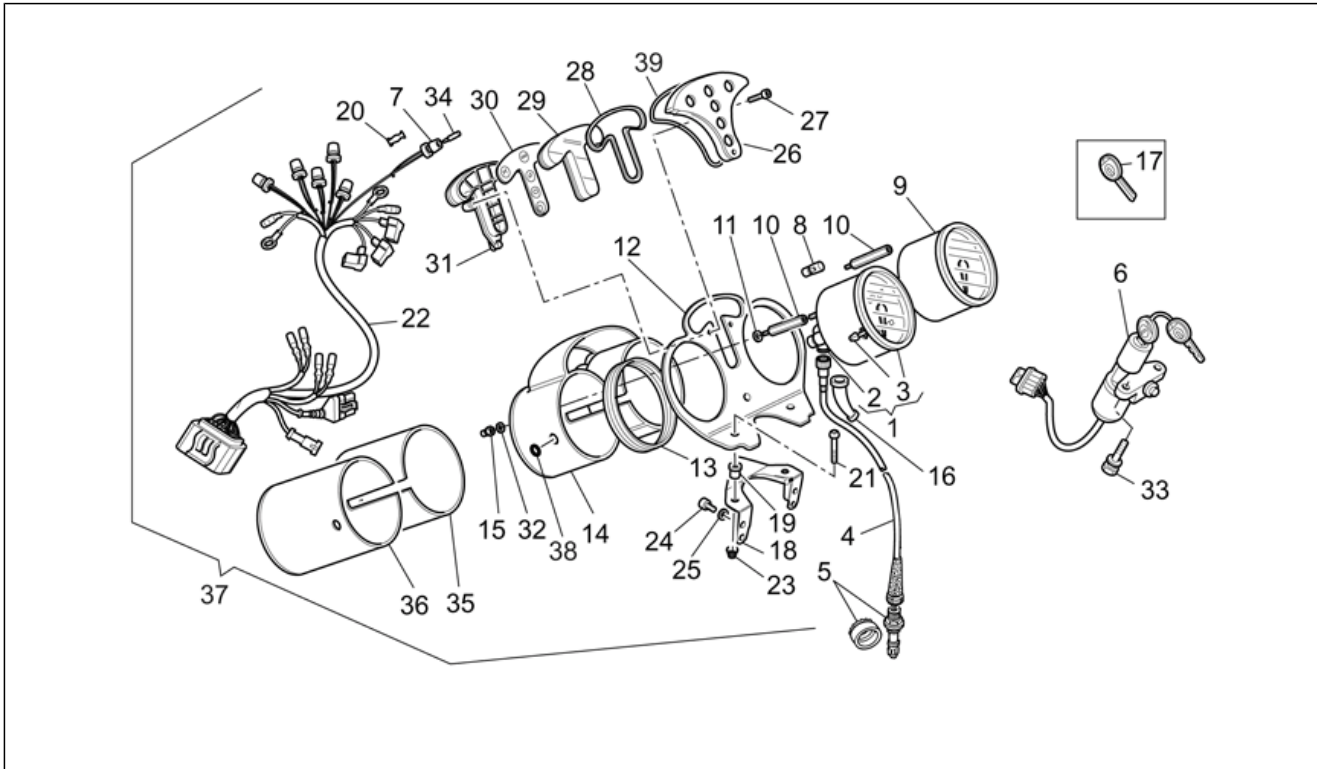
Pos.	Code	Beschrijving	Aant.	Varianten
1	GU03600360	Stuur	1	<b>Technical Specifications:</b> Spesial Sport Version[SS]
1	GU03600365	Stuur	1	<b>Technical Specifications:</b> Aluminium version[AL]
2	GU03603860	Gasbuis zonder handvat	1	
3	GU27530594	Sluitring	1	
4	GU03603560	Handvat re	1	
5	GU03738845	Schak.lichten re	1	
5	GU03738846	Schak.lichten re	1	<b>LAND:</b> Japan[J], New Zeland[NZ], United States of America[USA]
6	GU03117545	Transmissie gascommando	2	<b>Technical Specifications:</b> Spesial Sport Version[SS]
6	GU03117565	Transmissie gascommando	2	<b>Technical Specifications:</b> Aluminium version[AL]
7	GU27530595	Plaatje	1	
8	GU03738045	Schak.lichten li	1	
9	GU03604245	Huls	1	
10	GU03603060	Handvat li	1	
11	GU01609630	Klemmetje L46 mm	2	
12	GU03602760	Balancering	2	
13	GU27135215	Hendel starter	1	
14	GU03132845	Kabel starter	1	<b>Technical Specifications:</b> Spesial Sport Version[SS]
14	GU03132865	Kabel starter	1	<b>Technical Specifications:</b> Aluminium version[AL]
15	GU94321070	Veer	1	
16	GU03605545	Koppelingshendel	1	
17	GU92630106	Moer M6x1	1	
18	GU30601060	Klem	1	
19	GU27604315	Pin hendel	1	
20	GU30602500	Register	1	
21	GU03093045	Kabel koppeling	1	<b>Technical Specifications:</b> Spesial Sport Version[SS]
21	GU03093065	Kabel koppeling	1	<b>Technical Specifications:</b> Aluminium version[AL]
22	GU27663815	Bescherming	1	

<b>Groep</b>	FRAME
<b>Code</b>	33.33
<b>Beschrijving</b>	Handlebar - Controls
<b>Revisie</b>	1



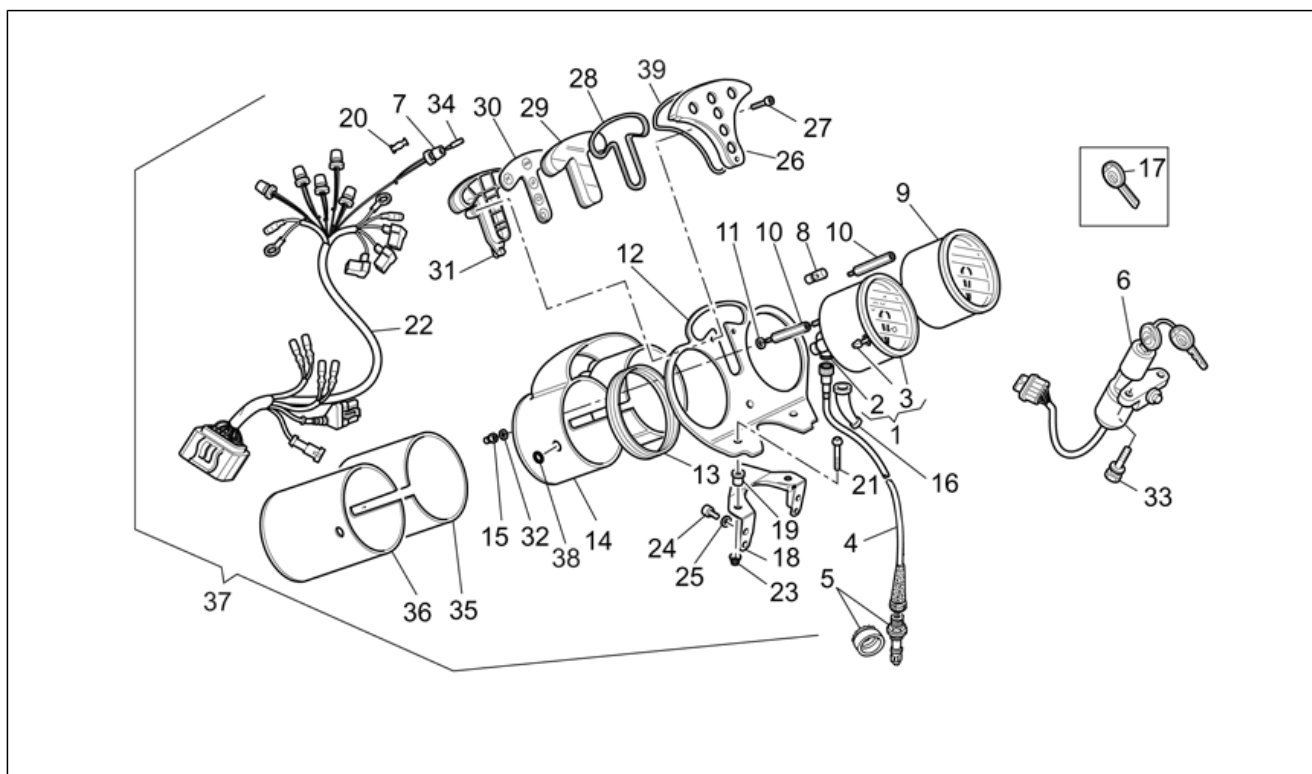
Pos.	Code	Beschrijving	Aant.	Varianten
23	GU03769431	Achteruitkijkspiegel re	1	<b>Technical Specifications:</b> Spesial Sport Version[SS]
23	GU03769465	Achteruitkijkspiegel re	1	<b>Technical Specifications:</b> Aluminium version[AL]
24	GU03769831	Achteruitkijkspiegel li	1	<b>Technical Specifications:</b> Spesial Sport Version[SS]
24	GU03769865	Achteruitkijkspiegel li	1	<b>Technical Specifications:</b> Aluminium version[AL]
25	GU03669001	Oogje li	1	
26	GU03669000	Oogje re	1	
27	GU03500265	Steun ond.stuur	2	<b>Technical Specifications:</b> Aluminium version[AL]
28	GU03500665	Klem	2	<b>Technical Specifications:</b> Aluminium version[AL]
29	GU98682430	Binnenzeskantbout M8x30	4	<b>Technical Specifications:</b> Aluminium version[AL]

<b>Groep</b>	FRAME
<b>Code</b>	33.34
<b>Beschrijving</b>	Dashboard
<b>Revisie</b>	1



Pos.	Code	Beschrijving	Aant.	Varianten
1	GU02761500	Snelheidsmeter KMH Borletti	1	<b>Technical Specifications:</b> BORLETTI instruments[BOR]
1	GU02762400	Snelheidsmeter MPH Borletti	1	<b>LAND:</b> Great Britain[UK], United States of America[USA] <b>Technical Specifications:</b> BORLETTI instruments[BOR]
1	GU03761570	Snelheidsmeter	1	<b>Technical Specifications:</b> ITI instruments[ITI]
1	GU03762470	Snelheidsmeter	1	<b>LAND:</b> Great Britain[UK], United States of America[USA] <b>Technical Specifications:</b> ITI instruments[ITI]
2	GU23768310	Overbrenging 60°	1	<b>Technical Specifications:</b> BORLETTI instruments[BOR]
3	GU02762800	Knop nulstelling	1	<b>Technical Specifications:</b> BORLETTI instruments[BOR]
4	GU01760400	Kabel snelheidsmeter	1	<b>Technical Specifications:</b> BORLETTI instruments[BOR]
4	GU03760465	Kabel snelheidsmeter	1	<b>Technical Specifications:</b> ITI instruments[ITI]
5	GU03762550	Overbrenging kilometerteller	1	<b>Technical Specifications:</b> ITI instruments[ITI]
5	GU28762540	Overbrenging kilometerteller 5/10	1	<b>Technical Specifications:</b> BORLETTI instruments[BOR]
6	GU01782500	Starblokje-blokk.	1	
7	GU02768600	Lamphouder	6	
8	GU93450120	Lamp 12v-3w	2	
9	GU02767200	Elektron. toerenteller	1	<b>Technical Specifications:</b> BORLETTI instruments[BOR]
9	GU03767270	Elektron. toerenteller	1	<b>Technical Specifications:</b> ITI instruments[ITI]
10	GU01763030	Afstandhouder	4	<b>Technical Specifications:</b> BORLETTI instruments[BOR]
11	GU95100055	Sluistring	2	<b>Technical Specifications:</b> BORLETTI instruments[BOR]
12	GU02764000	Basis instrumentenhouder	1	<b>Technical Specifications:</b> Aluminium version[AL], ITI instruments[ITI]
12	GU02764000	Basis instrumentenhouder	1	<b>Technical Specifications:</b> Aluminium version[AL], BORLETTI instruments[BOR]
12	GU03764060	Basis instrumentenhouder	1	<b>Technical Specifications:</b> ITI instruments[ITI], Special Sport Version[SS]
12	GU03764060	Basis instrumentenhouder	1	<b>Technical Specifications:</b> BORLETTI instruments[BOR], Special Sport Version[SS]
13	GU02762301	Rubber	2	
14	GU01762031	Steun kilometerteller	1	<b>Technical Specifications:</b> BORLETTI instruments[BOR]

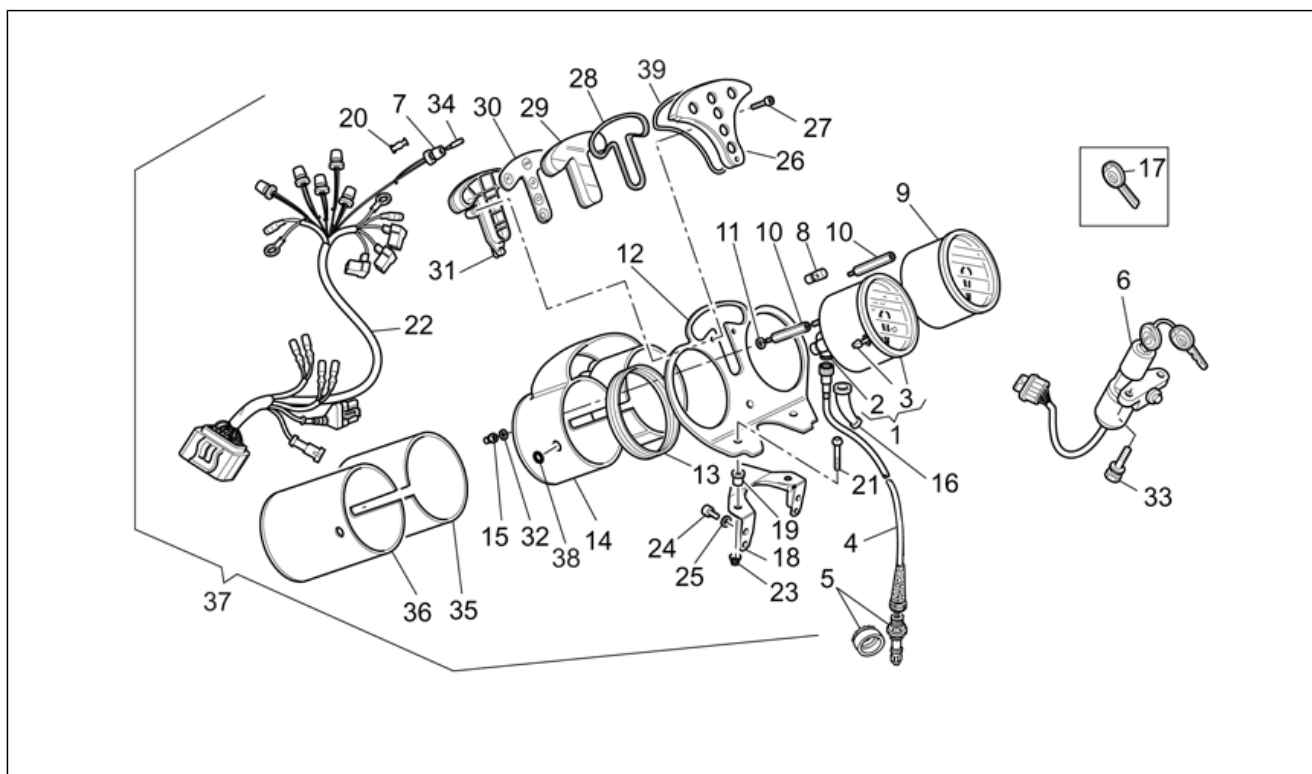
<b>Groep</b>	FRAME
<b>Code</b>	33.34
<b>Beschrijving</b>	Dashboard
<b>Revisie</b>	1



Pos.	Code	Beschrijving	Aant.	Varianten
14	GU01762090	Steun kilometerteller	1	<b>Technical Specifications:</b> ITI instruments[ITI]
15	GU92787105	Moer blind	4	<b>Technical Specifications:</b> BORLETTI instruments[BOR]
15	GU92787205	Moer blind	4	<b>Technical Specifications:</b> ITI instruments[ITI]
16	GU17762200	Gaine	2	<b>Technical Specifications:</b> BORLETTI instruments[BOR]
17	GU30735500	Sleutel glad onafgew.	1	
18	GU01766031	Steun dashboard	1	
19	GU93222023	Silent-block	3	
20	GU93400012	Terminal lamphouder	6	
21	GU98350310	Bolbout met binnenzeskant M6x20	3	<b>Technical Specifications:</b> BORLETTI instruments[BOR]
21	GU98370609	Bolbout met binnenzeskant M6x10	3	<b>Technical Specifications:</b> ITI instruments[ITI]
22	GU03747200	Bekabeling dashboard Borletti	1	<b>Technical Specifications:</b> BORLETTI instruments[BOR]
22	GU03747265	Bekabeling dashboard	1	<b>Technical Specifications:</b> ITI instruments[ITI]
23	GU92650136	Moer	3	<b>Technical Specifications:</b> BORLETTI instruments[BOR]
23	GU92660007	Moer geflenst M6x9	3	<b>Technical Specifications:</b> ITI instruments[ITI]
24	GU98692318	Binnenzeskantbout	4	
25	GU95008306	Sluitring 6,4x12x1,2	4	
26	GU01766240	Doos controlelampen zwart	1	<b>Technical Specifications:</b> Spesial Sport Version[SS]
26	GU03766265	Doos controlel.grijs	1	<b>Technical Specifications:</b> Aluminium version[AL]
27	GU98872115	Bout	3	<b>Technical Specifications:</b> BORLETTI instruments[BOR]
27	GU98872120	Bout	3	<b>Technical Specifications:</b> ITI instruments[ITI]
28	GU02768200	Pakking	1	
29	GU02768400	Bescherming	1	
30	GU02781101	Masker met kijkglas	1	
31	GU02766300	Kast controlelampen	1	
32	GU30577800	Sluitring in nylon 5,5X12X1	4	<b>Technical Specifications:</b> BORLETTI instruments[BOR]
32	GU95008304	Sluitring	4	<b>Technical Specifications:</b> ITI instruments[ITI]
33	GU97260415	Speciale bout M8x15	2	
34	GU93450140	Lamp	6	

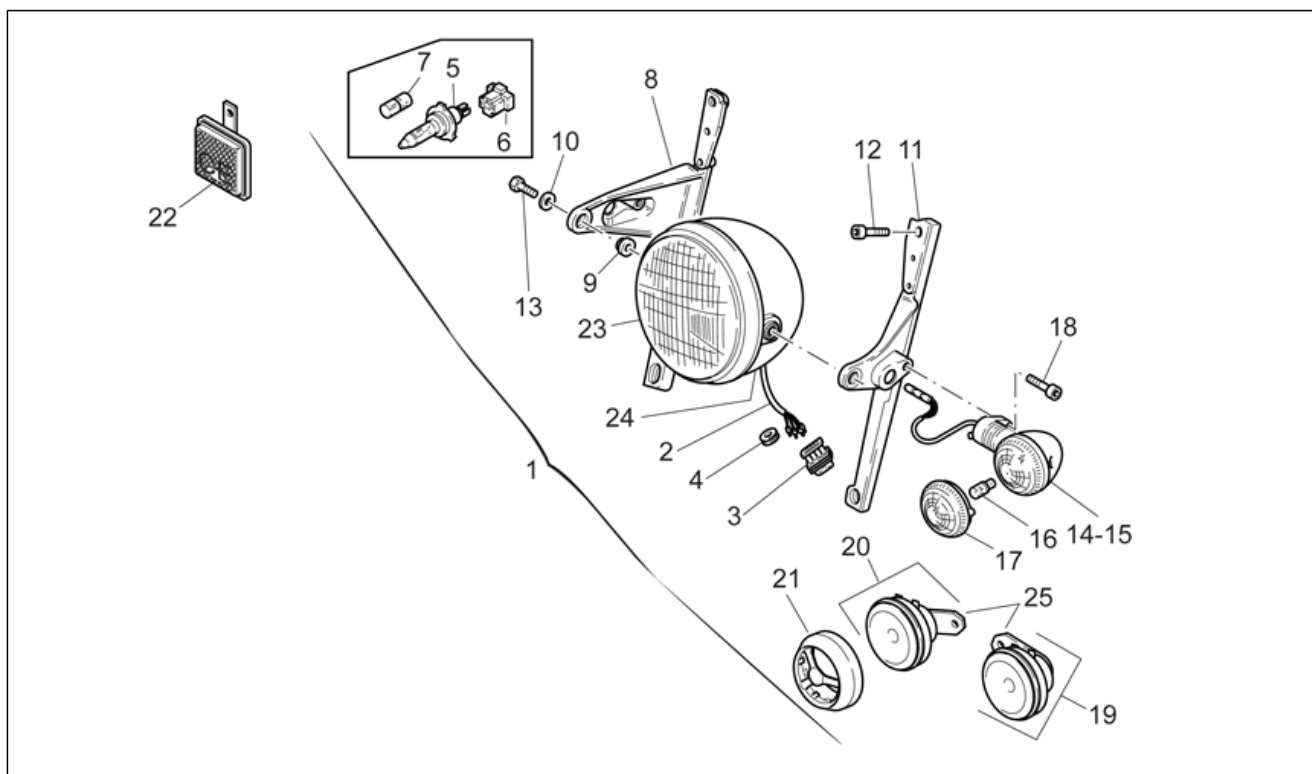


<b>Groep</b>	FRAME
<b>Code</b>	33.34
<b>Beschrijving</b>	Dashboard
<b>Revisie</b>	1



Pos.	Code	Beschrijving	Aant.	Varianten
35	GU02761900	Steun toerenteller	1	<b>Technical Specifications:</b> Aluminium version[AL], BORLETTI instruments[BOR]
35	GU03761970	Steun toerenteller	1	<b>Technical Specifications:</b> Aluminium version[AL], ITI instruments[ITI]
36	GU02762000	Steun kilometerteller	1	<b>Technical Specifications:</b> Aluminium version[AL], BORLETTI instruments[BOR]
36	GU03762070	Steun kilometerteller	1	<b>Technical Specifications:</b> Aluminium version[AL], ITI instruments[ITI]
37	GU03760067	Dashboard cpl.	1	<b>Technical Specifications:</b> ITI instruments[ITI], Special Sport Version[SS]
37	GU03760068	Dashboard cpl.	1	<b>LAND:</b> Great Britain[UK], United States of America[USA] <b>Technical Specifications:</b> ITI instruments[ITI], Special Sport Version[SS]
37	GU03760072	Dashboard cpl.	1	<b>Technical Specifications:</b> Aluminium version[AL], ITI instruments[ITI]
37	GU03760073	Dashboard cpl.	1	<b>LAND:</b> Great Britain[UK], United States of America[USA] <b>Technical Specifications:</b> Aluminium version[AL], ITI instruments[ITI]
38	GU91551168	Rubbetje	1	<b>Technical Specifications:</b> ITI instruments[ITI]
39	GU03762370	Pakking	1	<b>Technical Specifications:</b> ITI instruments[ITI]

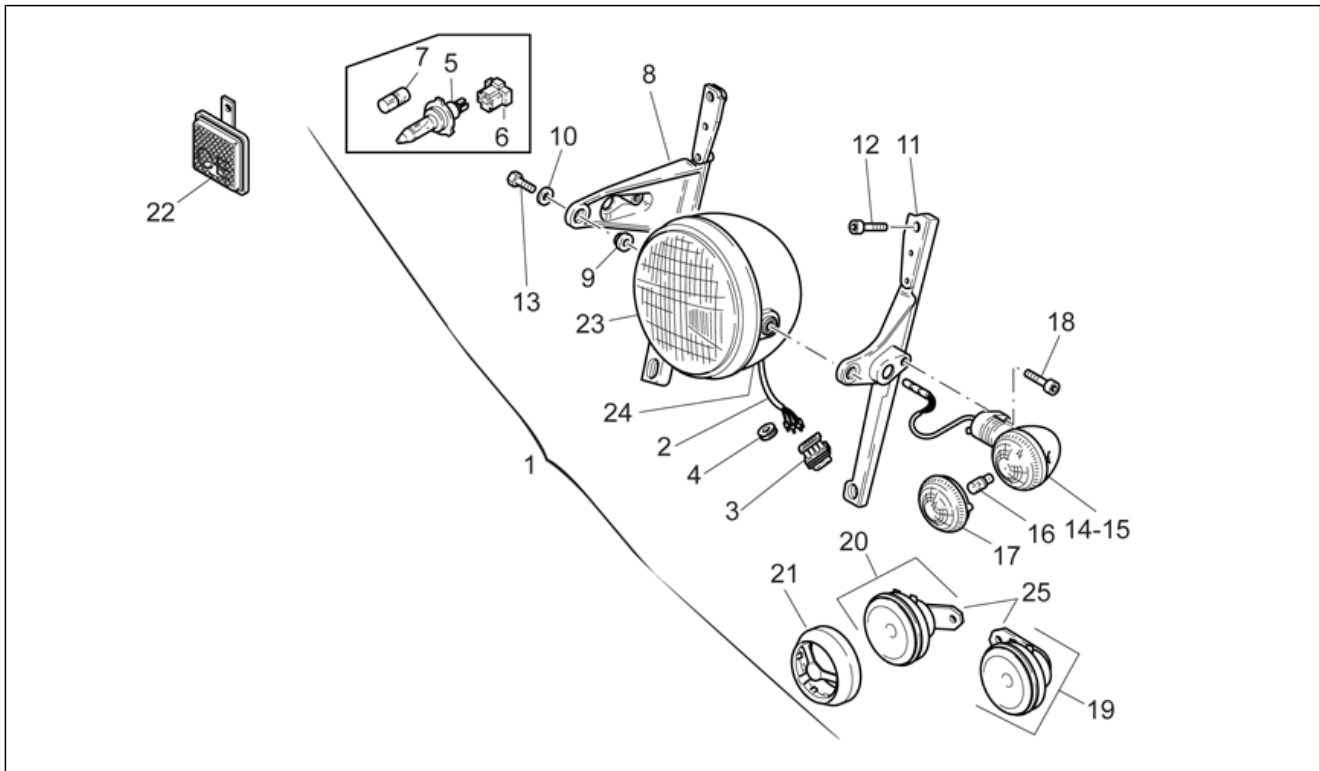
<b>Groep</b>	FRAME
<b>Code</b>	33.35
<b>Beschrijving</b>	Front lights
<b>Revisie</b>	1



Pos.	Code	Beschrijving	Aant.	Varianten
1	GU03740531	Voorlicht	1	
1	GU03740535	Voorlicht m/o geleider li	1	LAND:Australia[AUS], Japan[J], New Zeland[NZ], Great Britain[UK]
2	GU02746900	Bekabeling	1	
3	GU01756100	Vierwegsconnector AMP	1	
4	GU91551033	Rubbertje	1	
5	GU93450232	Lamp 12V-55/60W	1	
6	GU01756220	Lamphouder	1	
7	GU93450119	Lamp	1	
8	GU03496130	Houder re	1	
9	GU14439800	Afstandhouder	2	
10	GU95008208	Sluitring 8,4X15X1,5	2	
11	GU03496230	Houder li	1	
12	GU98692318	Binnenzeskantbout	4	
13	GU98064425	Bout	1	
14	GU03750631	Richtingaanw.voor.re	1	
15	GU03750630	Richtingaanw. voor. li	1	
16	GU93450127	Lamp	2	
17	GU31753765	Glas richtingaanw.	2	
18	GU98682314	Binnenzeskantbout M6x14	2	
19	GU01743790	Claxon acute toon H	1	
20	GU01743791	Claxon acute toon L	1	
21	GU03744760	Masker claxon	2	
22	GU14781670	Reflector amber	2	LAND:United States of America[USA]
23	GU03740430	Optische groep	1	
23	GU03740431	Optische groep	1	LAND:Australia[AUS], Japan[J], New Zeland[NZ], Great Britain[UK]
24	GU03740438	Kap acht.verchr.	1	

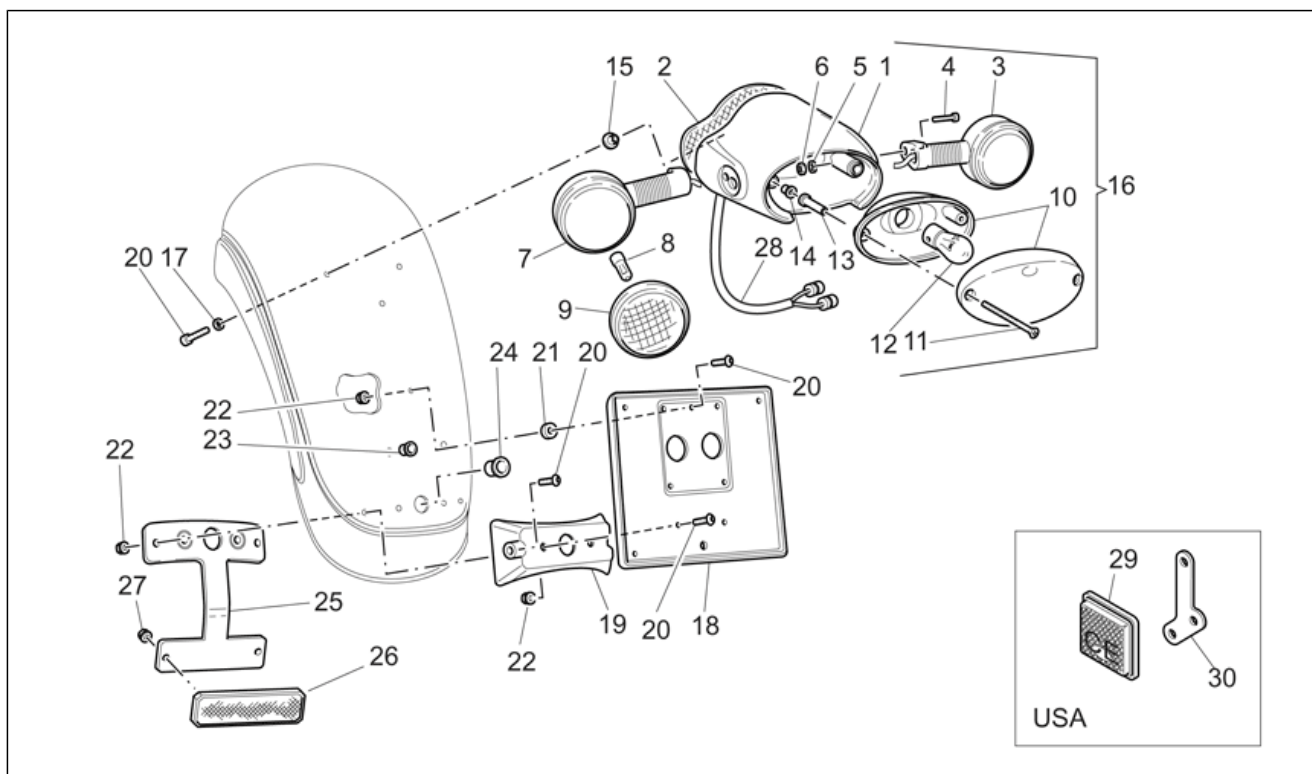


<b>Groep</b>	FRAME
<b>Code</b>	33.35
<b>Beschrijving</b>	Front lights
<b>Revisie</b>	1



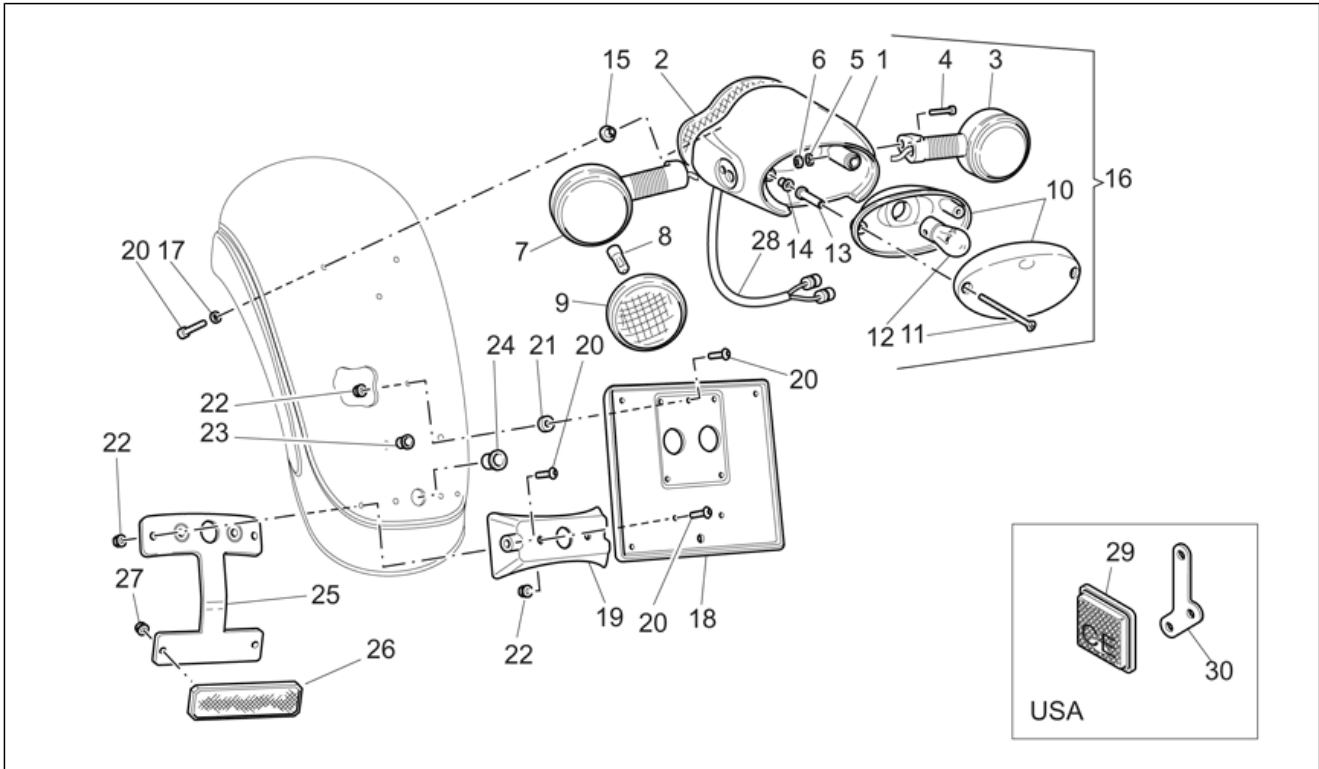
Pos.	Code	Beschrijving	Aant.	Varianten
25	GU01744200	Beugel	2	

<b>Groep</b>	FRAME
<b>Code</b>	33.36
<b>Beschrijving</b>	Rear lights
<b>Revisie</b>	1



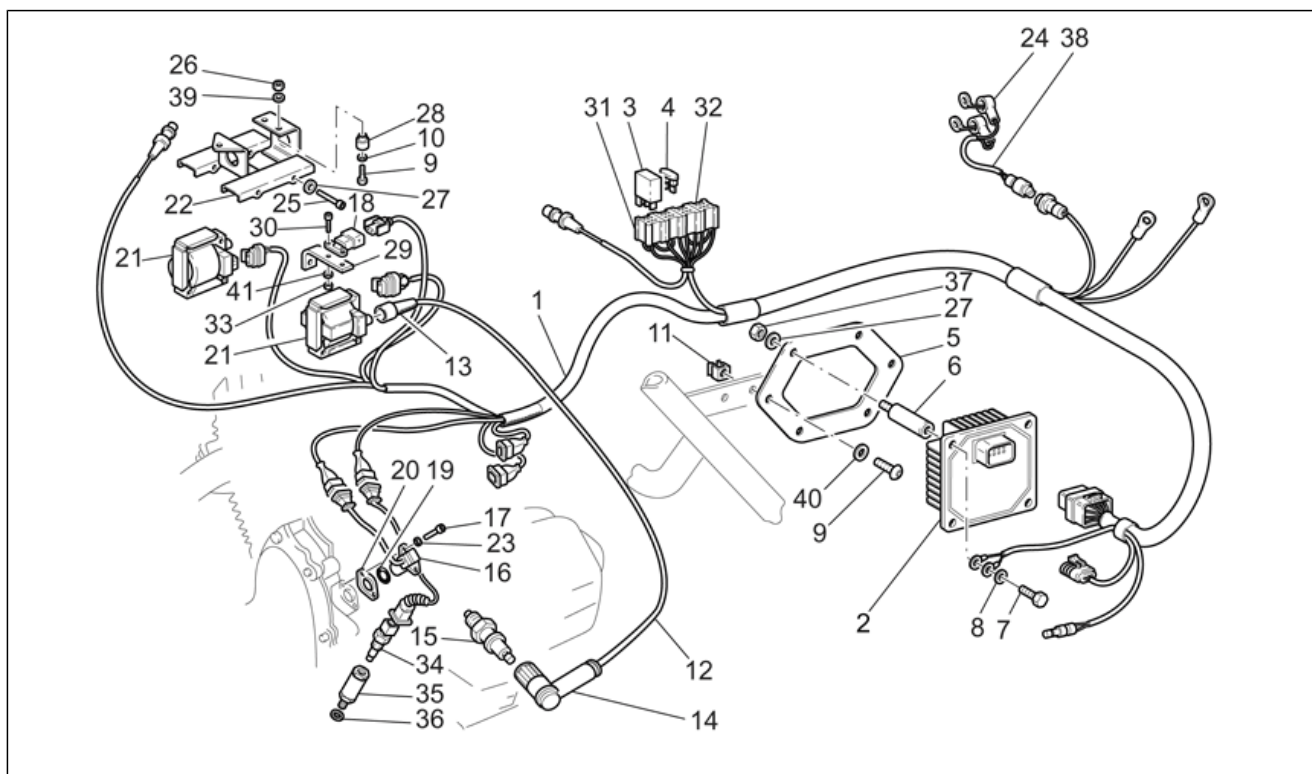
Pos.	Code	Beschrijving	Aant.	Varianten
1	GU03475830	Romp achterlicht ruw	1	
1	GU03475860	Romp achterlicht zwart	1	<b>Technical Specifications:</b> Spesial Sport Version[SS]
1	GU03475866	Steun staal	1	<b>Technical Specifications:</b> Aluminium version[AL]
2	GU03475931	Rubber	1	
3	GU03751630	Richt.aanw. voor.li/acht.re	1	
4	GU98682320	Binnenzeskantbout M6x20	2	
5	GU95001206	Sluitring	2	
6	GU92660600	Moer	2	
7	GU03751631	Richt.aanw. voor.re/acht.li	1	
8	GU93450127	Lamp	1	
9	GU31753765	Glas richtingaanw.	2	
10	GU03740930	Achterlicht	1	
11	GU98620150	Bout	2	
12	GU93450224	Lamp	2	
13	GU03741230	Huls	2	
14	GU93231604	Huls antitrilling M4x7,9x12,7	2	
15	GU03742030	Beslagring	3	
16	GU03758460	Optische groep zwart	1	<b>Technical Specifications:</b> Spesial Sport Version[SS]
16	GU03758466	Optische groep staal	1	<b>Technical Specifications:</b> Aluminium version[AL]
17	GU95008205	Sluitring 5,3x10x0,8	3	
18	GU01474630	Nummerplaathouder	1	
19	GU03474530	Steun van de nummerplaathouder	1	
20	GU98370515	Bout	8	
21	GU93110060	Rubbertje	1	
22	GU92650035	Moer geflenst	5	
23	GU03438830	Dop	2	
24	GU03438831	Dop	1	
25	GU03475330	Steun	1	

<b>Groep</b>	FRAME
<b>Code</b>	33.36
<b>Beschrijving</b>	Rear lights
<b>Revisie</b>	1



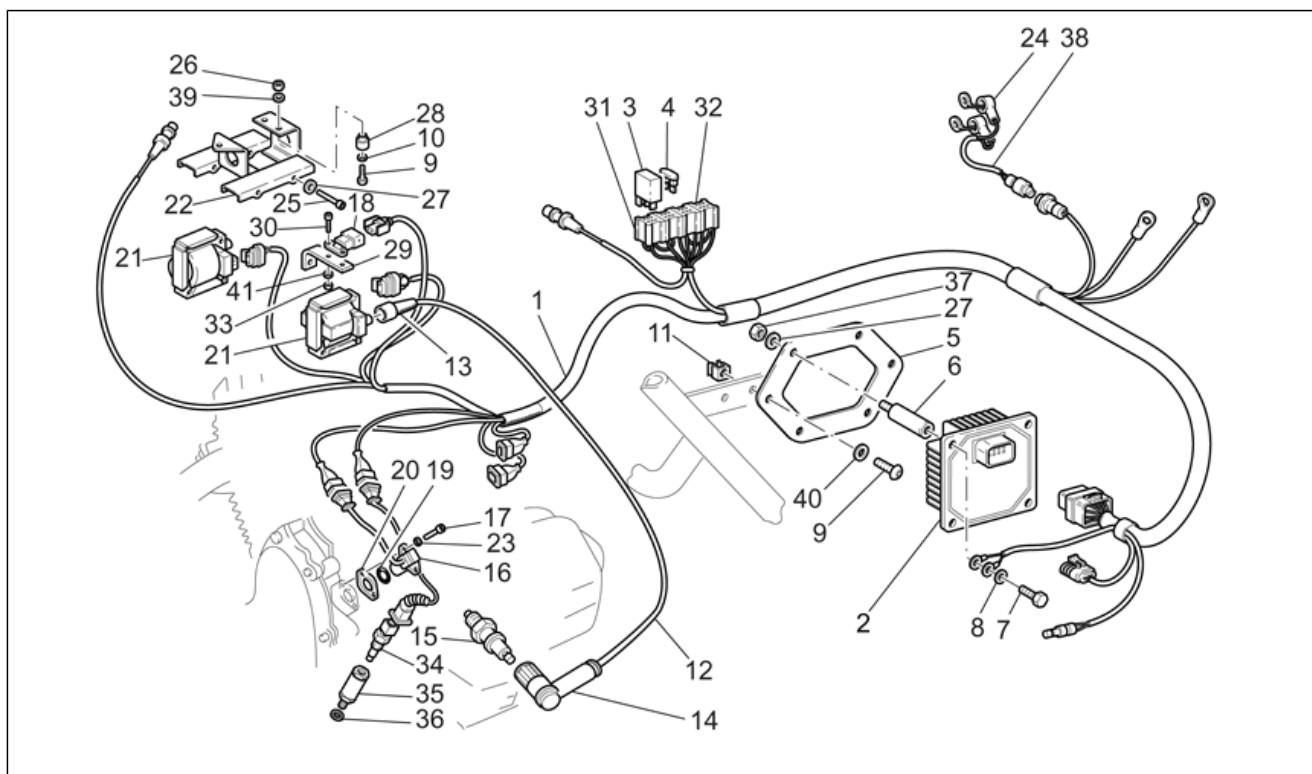
Pos.	Code	Beschrijving	Aant.	Varianten
26	GU31745865	Reflector	1	
27	GU92650034	Moer	2	
28	GU03753130	Bekabeling achterlicht	1	
29	GU14781570	Reflector rood	2	LAND:United States of America[USA]
30	GU14781870	Houder reflector	2	LAND:United States of America[USA]

<b>Groep</b>	FRAME
<b>Code</b>	33.40
<b>Beschrijving</b>	Electrical systeme
<b>Revisie</b>	1



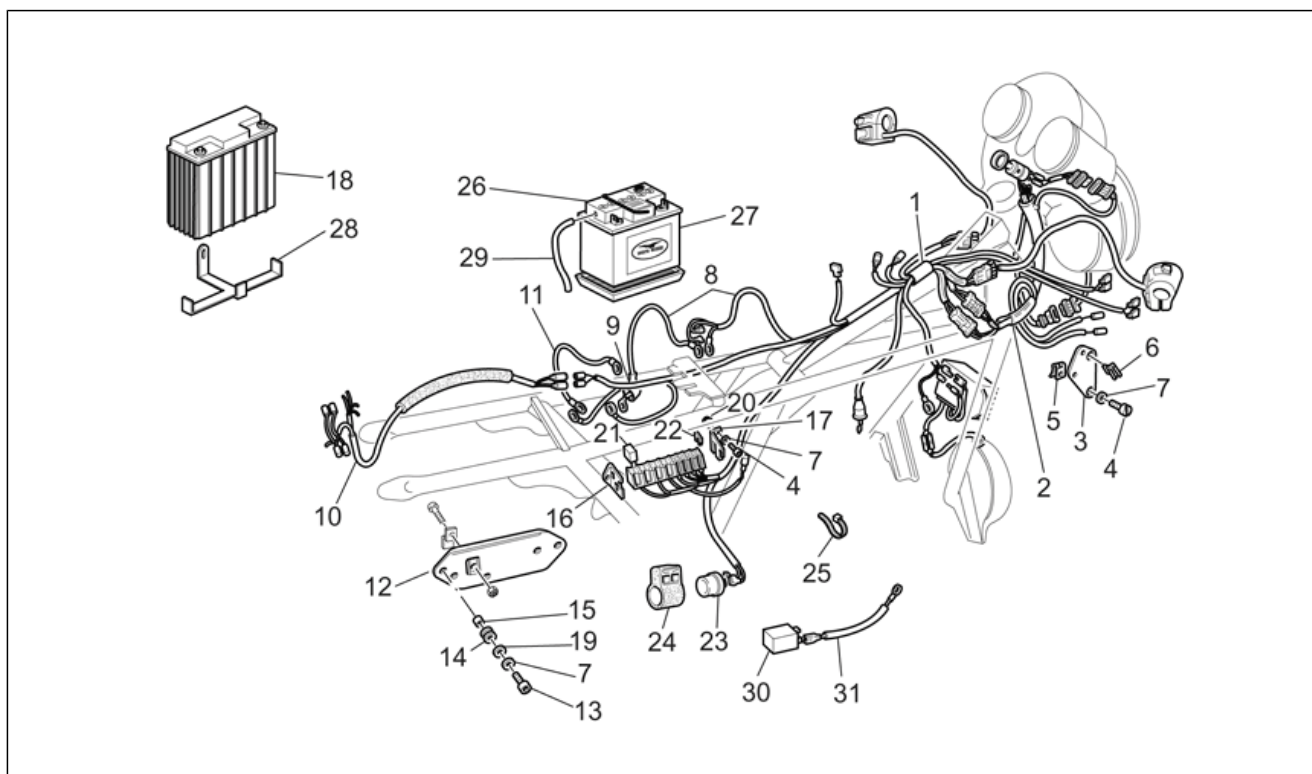
Pos.	Code	Beschrijving	Aant.	Varianten
1	GU03725830	Bekabeling injectie	1	
2	GU03729531	Ontstekingscentrale CDI	1	<b>Technical Specifications:</b> Standard engine[STD]
2	GU03729565	Ontstekingscentrale CDI	1	<b>Technical Specifications:</b> Engine with Hydraulic tappet[PI]
3	GU01732530	Relais siemens A302B1005	2	
4	GU28742558	Zekering 5A	1	
4	GU28742559	Zekering 10A	1	
5	GU03729230	Plaatje	1	
6	GU93221330	Antitrilsteun	4	
7	GU98084110	Zeskantbout	4	
8	GU95008304	Sluitring	4	
9	GU98682310	Binnenzeskantbout M6x10	5	
10	GU95100141	Sluitring 6,4x12x1,2	6	
11	GU92660601	Moer in kooi	2	
12	GU03718350	H.S. kabel	2	
13	GU14717600	Kapje	2	
14	GU03717450	Pipet bougie	2	
15	GU30717061	Bougie NGK BPR6ES	2	
16	GU01721600	Fasesensor	1	
17	GU98682212	Binnenzeskantbout M5x12	2	
18	GU30729330	Sensor luchttemperatuur	1	
19	GU90706141	OR-ring	1	
20	GU01722700	Pakking 0,3mm	1	
20	GU01722701	Pakking 0,4 mm	1	
20	GU01722702	Pakking 0,6mm	1	
20	GU01722703	Pakking	1	
20	GU01722704	Pakking 1mm	1	
20	GU01722705	Pakking 1,5mm	1	
20	GU29722760	Pakking 0,5 mm	1	

<b>Groep</b>	FRAME
<b>Code</b>	33.40
<b>Beschrijving</b>	Electrical systeme
<b>Revisie</b>	1



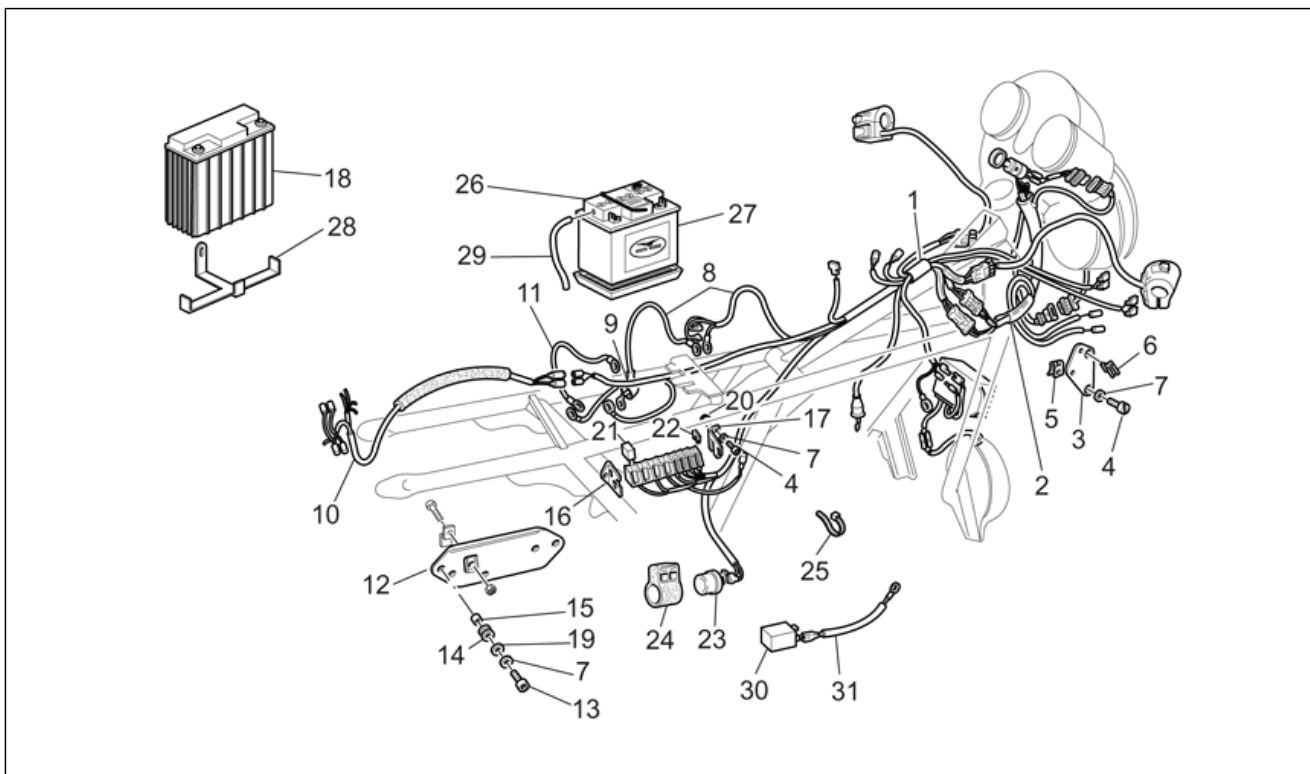
Pos.	Code	Beschrijving	Aant.	Varianten
21	GU30716500	H.S. bobine	2	
22	GU28716748	Steun bobine	1	
23	GU95008205	Sluitring 5,3x10x0,8	2	
24	GU30759600	Kapje	2	
25	GU98682125	Binnenzeskantbout	4	
26	GU92606206	Moer	3	
27	GU95021204	Sluitring	8	
28	GU93222020	Silent-block	3	
29	GU30728230	Steun sensor	1	
30	GU98680110	Binnenzeskantbout M3x10	2	
31	GU30732200	Zekeringendoos	1	
32	GU30732400	Steun relais	2	
33	GU92606003	Moer M3	2	
34	GU29729461	Temperatuursensor olie	1	
35	GU03163330	Steun sensor	1	
36	GU95008210	Sluitring 10,2X18X2	4	
37	GU92630204	Moer	4	
38	GU03738500	Bekabeling benzinepomp	1	
39	GU95008306	Sluitring 6,4x12x1,2	3	
40	GU03013800	Sluitring 6,4x12	2	
41	GU95120033	Sluitring 3,2x5,8x0,8	2	

<b>Groep</b>	FRAME
<b>Code</b>	33.41
<b>Beschrijving</b>	Electrical system
<b>Revisie</b>	1



Pos.	Code	Beschrijving	Aant.	Varianten
1	GU03747150	Hoofdzakelijke bekabeling	1	
2	GU03747200	Bekabeling dashboard Borletti	1	<b>Technical Specifications:</b> BORLETTI instruments[BOR]
2	GU03747265	Bekabeling dashboard	1	<b>Technical Specifications:</b> ITI instruments[ITI]
3	GU30749760	Bevest.plaat connectoren	1	
4	GU98682310	Binnenzeskantbout M6x10	4	
5	GU28576590	Clip	2	
6	GU30922260	Clip	4	
7	GU03013800	Sluitring 6,4x12	8	
8	GU03748440	Bekabeling accu-startmotor	1	
9	GU03707140	Kapje	1	
10	GU03753100	Bekabeling achterlicht	1	
11	GU02747901	Bekabeling massa-accu	1	
12	GU30746360	Plaat	1	
13	GU98682318	Binnenzeskantbout	2	
14	GU91551080	Rubbetje	2	
15	GU91180607	Afstandhouder	2	
16	GU30477101	Beugel re	1	
17	GU30477200	Plaat li	1	
18	GU03704550	Accu 12V-16Ah	1	<b>LAND:</b> United States of America[USA]
19	GU95100118	Sluitring 6,2X18X1	4	
20	GU92630707	Moer	2	
21	GU01732530	Relais siemens A302B1005	2	
21	GU30732560	Relais siemens A302/B1008	1	
22	GU28742558	Zekering 5A	1	
22	GU28742560	Zekering 15A	2	
22	GU28742562	Zekering 30A	1	
23	GU17750520	Intermitterend	1	
24	GU17751200	Antitrilsteun	1	

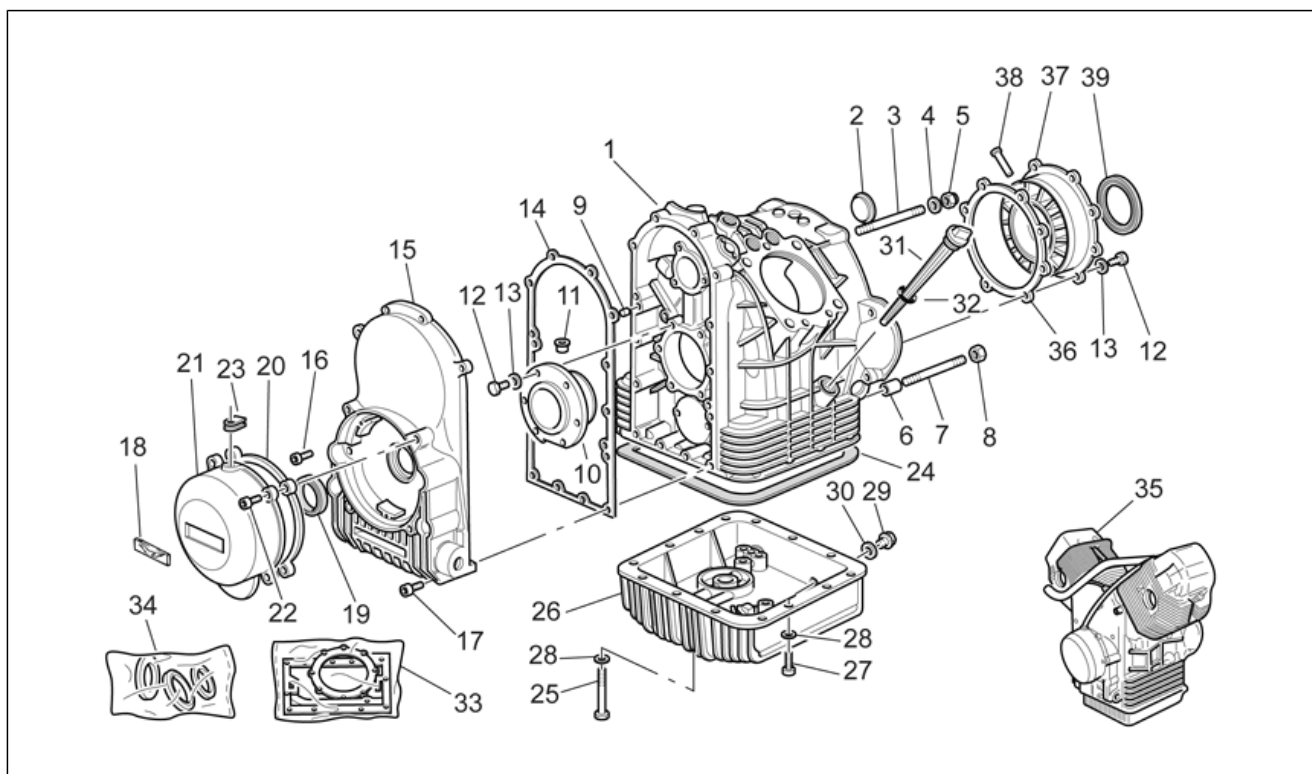
<b>Groep</b>	FRAME
<b>Code</b>	33.41
<b>Beschrijving</b>	Electrical system
<b>Revisie</b>	1



Pos.	Code	Beschrijving	Aant.	Varianten
25	GU14609650	Klemmetje 3,6x20,6	30	
25	GU49609601	Klemmetje 2,4x92	6	
26	GU03704540	Accu	1	
27	GU28707050	Accukast	1	
28	GU03116745	Steun accu	1	LAND:United States of America[USA]
29	GU00823944050	Buis 5X9	1	
30	GU31750560	Intermitterend	1	LAND:Australia[AUS]
31	GU31755660	Bekabeling massa-accu	1	LAND:Australia[AUS]

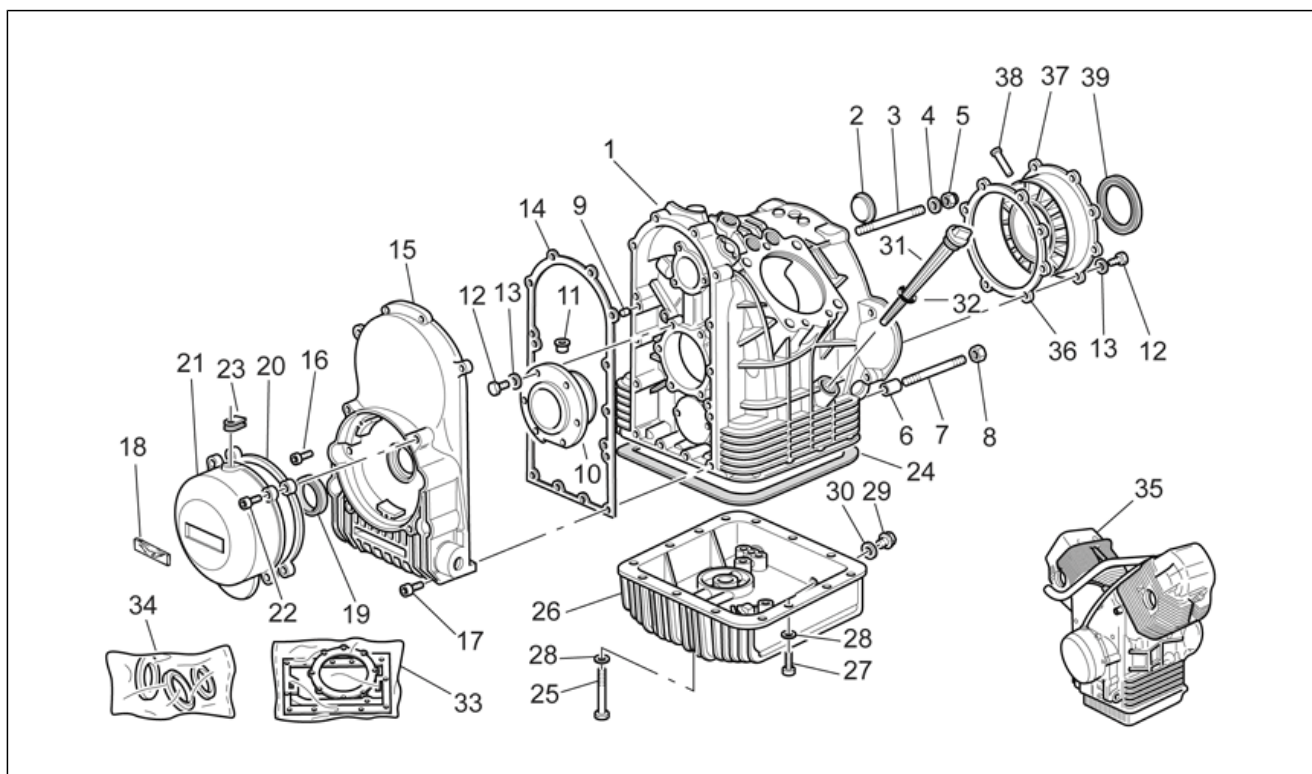


<b>Groep</b>	ENGINE
<b>Code</b>	34.01
<b>Beschrijving</b>	Crank-case
<b>Revisie</b>	1



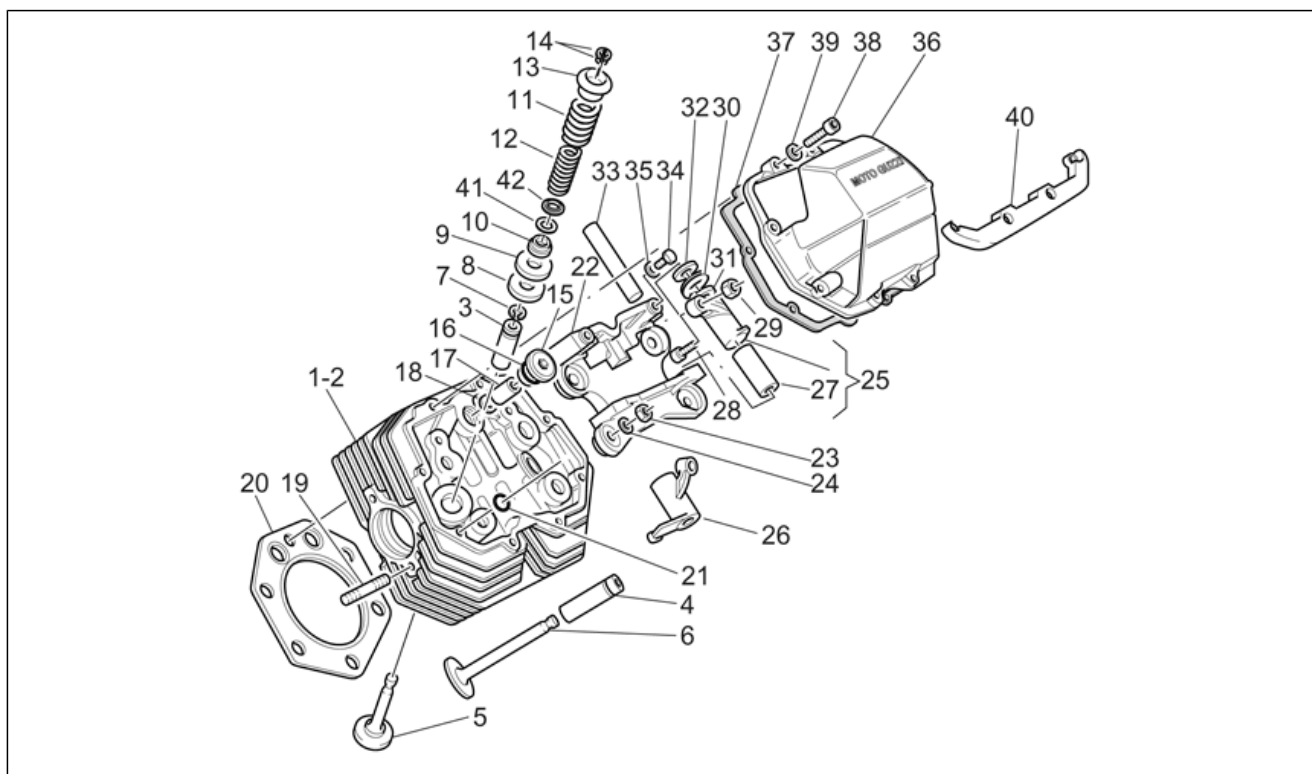
Pos.	Code	Beschrijving	Aant.	Varianten
1	GU03000730	Onderstel motor zwart	1	<b>Technical Specifications:</b> Engine with Hydraulic tappet[PI]
1	GU03000760	Onderstel motor zwart	1	<b>Technical Specifications:</b> Standard engine[STD]
2	GU12003900	Schijf	1	
3	GU96508066	Stiftbout M8X66	4	
4	GU95005308	Sluitring 8,4x14,57x1,6	6	
5	GU92787008	Moer blind M8x1,25	2	
6	GU12018900	Geleiderhuls	2	
7	GU96508075	Stiftbout M8x75	2	
8	GU92606208	Moer M8x1,25	4	
9	GU95512081	Plug	2	
10	GU14011900	Flens cpl.	1	
10	GU14011901	Flens min.0,2 mm	1	
11	GU12012200	Plug	1	
12	GU98084425	Zeskantbout M8x25	14	
13	GU03270300	Sluitring 8,4x15	14	
14	GU12001200	Pakking bedekking	1	
15	GU03001460	Bedekking distr. zwart	1	
16	GU98682325	Binnenzeskantbout M6x25	22	
17	GU98680335	Binnenzeskantbout M6x35	6	
18	GU02517700	Kleefetiket	1	
19	GU90402840	Dichtingsring 28x38x7	1	
20	GU18001150	Flens	1	
21	GU01001630	Bedekking generator grijs	1	<b>Technical Specifications:</b> Aluminium version[AL]
21	GU03001600	Bedekking alternator gl.	1	<b>Technical Specifications:</b> Special Sport Version[SS]
22	GU98310631	Bout	4	
23	GU19007700	Rubbertje	1	
24	GU14003600	Pakking carter	1	
25	GU98082390	Bout	4	

<b>Groep</b>	ENGINE
<b>Code</b>	34.01
<b>Beschrijving</b>	Crank-case
<b>Revisie</b>	1



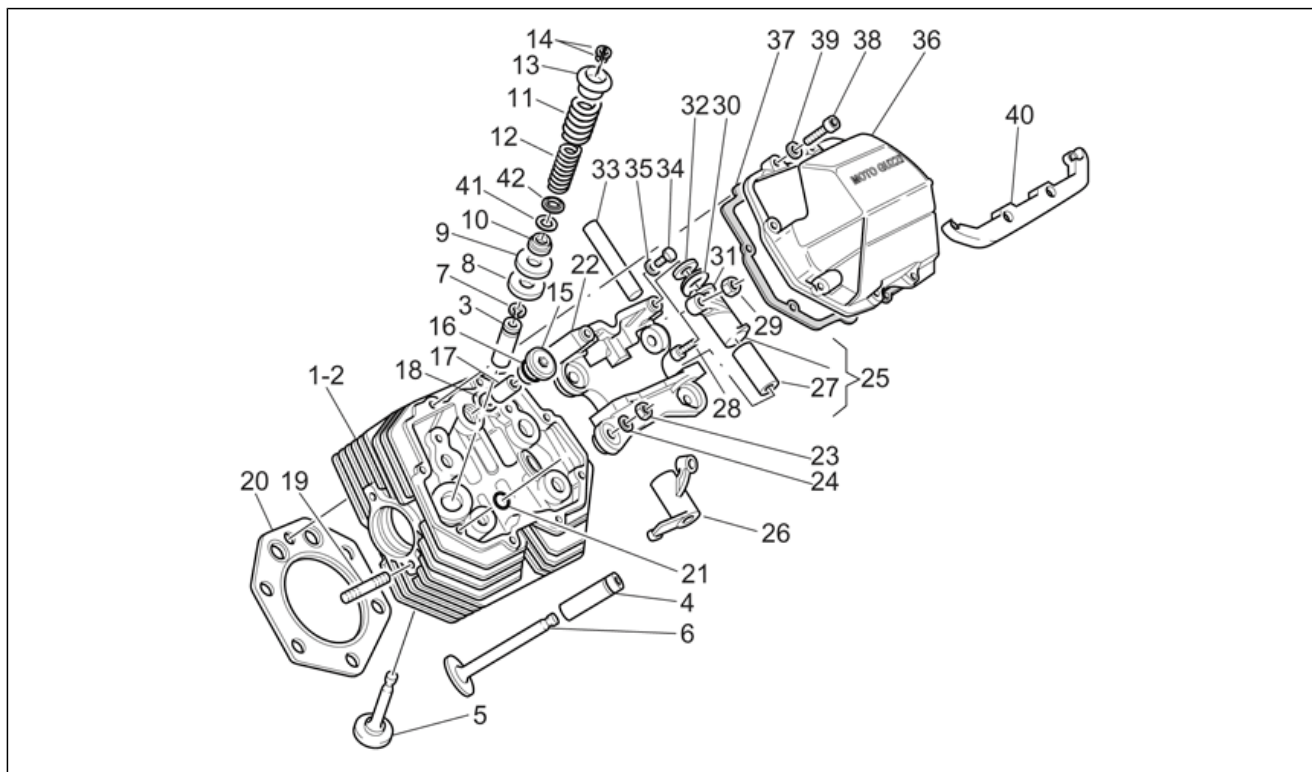
Pos.	Code	Beschrijving	Aant.	Varianten
26	GU03003561	Oliecarter motor grijs	1	
27	GU98682325	Binnenzeskantbout M6x25	14	
28	GU95008206	Sluitring 6,15x11x0,8	18	
29	GU12003702	Afvoerdop olie	1	
30	GU95100709	Pakking 20,1x28x2	1	
31	GU30004910	Oliedop	1	
32	GU90706178	OR-ring 17,86X2,62	1	
33	GU30999060	Kit pakkingen	1	
34	GU17999550	Kit oliekeerringen	1	
35	GU03991060	Motor cpl.zwart	1	<b>Technical Specifications:</b> Spesial Sport Version[SS], Standard engine[STD]
35	GU03991061	Motor cpl.zwart	1	<b>Technical Specifications:</b> Engine with Hydraulic tappet[PI], Spesial Sport Version[SS]
35	GU03991065	Motor cpl.zwart	1	<b>Technical Specifications:</b> Aluminium version[AL], Standard engine[STD]
35	GU03991066	Motor cpl.zwart	1	<b>Technical Specifications:</b> Aluminium version[AL], Engine with Hydraulic tappet[PI]
36	GU12011800	Pakking flens	1	
37	GU12011400	Flens cpl.	1	
37	GU12011401	Flens min.0,2 mm	1	
37	GU12011402	Flens min.0,4 mm	1	
37	GU12011403	Flens min.0,6 mm	1	
38	GU12011700	Plug	1	
39	GU90405367	Dichtingsring	1	

<b>Groep</b>	ENGINE
<b>Code</b>	34.02
<b>Beschrijving</b>	Heads
<b>Revisie</b>	1



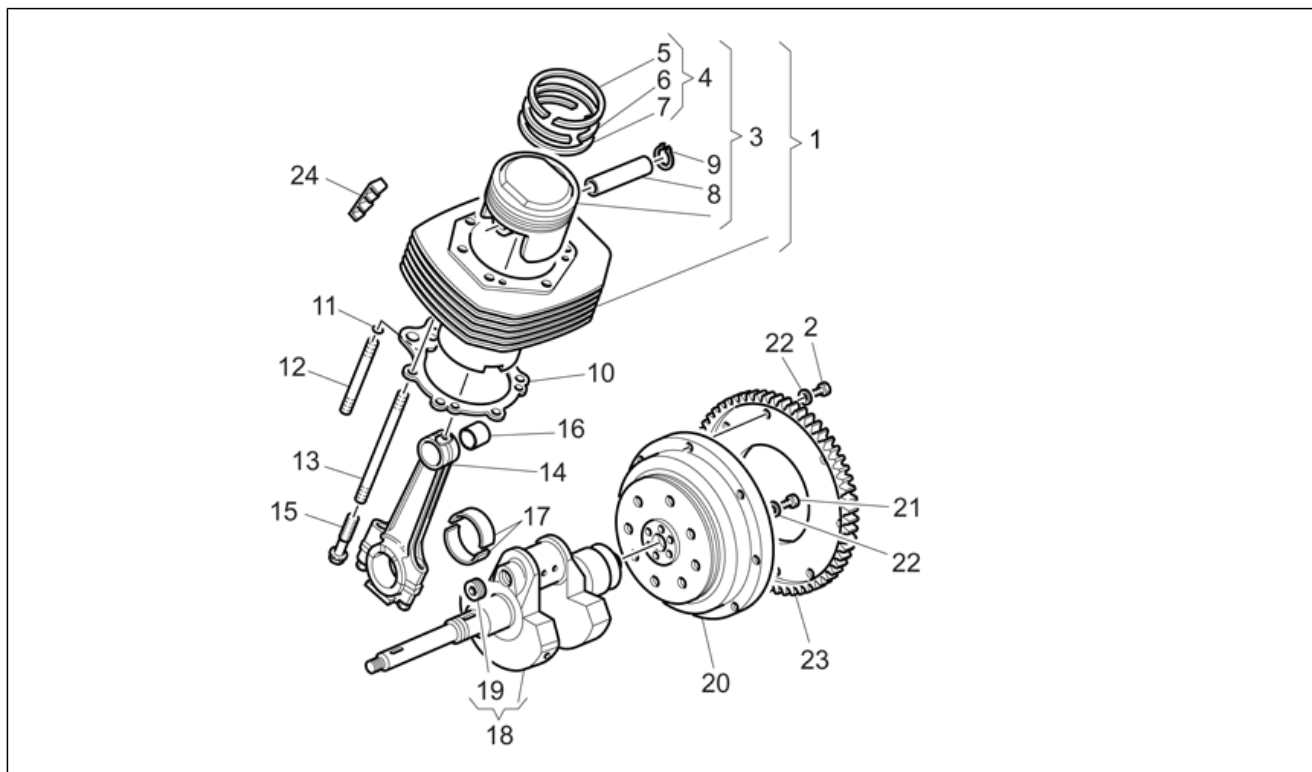
Pos.	Code	Beschrijving	Aant.	Varianten
1	GU03022130	Kop cilinder re cpl.grijs	1	
2	GU30022260	Kop cilinder li cpl.grijs	1	
3	GU13036801	Klepgeleider uitl.	2	
4	GU14036860	Klepgeleider aanz.	2	
5	GU03036100	Klep uitl.	2	
6	GU03036000	Klep aanz.	2	
7	GU90353016	Elastische ring	4	
8	GU13037200	Sluitring 14,2x31x1	4	
9	GU14037300	Sluitring 14,2x31x0,3	10	
10	GU13037000	Schijf ond.	4	Technical Specifications:Standard engine[STD]
11	GU13037400	Veer ext.	4	Technical Specifications:Standard engine[STD]
11	GU37037405	Veer ext.	4	Technical Specifications:Engine with Hydraulic tappet[PI]
12	GU13037600	Veer int.	4	Technical Specifications:Standard engine[STD]
12	GU37037605	Veer int.	4	Technical Specifications:Engine with Hydraulic tappet[PI]
13	GU14038000	Schijf bov.	4	Technical Specifications:Standard engine[STD]
13	GU37038005	Schijf bov.	4	Technical Specifications:Engine with Hydraulic tappet[PI]
14	GU12038100	Halfconus klep	8	
15	GU12022600	Oliedop	2	
16	GU90706203	OR-ring 20,24X2,62	2	
17	GU13021900	Kolomv. moer	2	
18	GU95129180	Sluitring 10,5X18X0,8	2	
19	GU96508040	Stiftbout	4	
20	GU30022060	Pakking	2	
21	GU90706094	OR-ring 9x2	8	
22	GU14034865	Steun balanceringen	2	
23	GU92603010	Moer M10X1,5	10	
24	GU14018400	Sluitring 10,5X21X1	10	
25	GU03030230	Bilanceringen cpl.re	2	Technical Specifications:Engine with Hydraulic tappet[PI]

<b>Groep</b>	ENGINE
<b>Code</b>	34.02
<b>Beschrijving</b>	Heads
<b>Revisie</b>	1



Pos.	Code	Beschrijving	Aant.	Varianten
25	GU14030201	Bilanceringsen cpl.re	2	<b>Technical Specifications:</b> Standard engine[STD]
26	GU03030430	Balanceringsen cpl.li	2	<b>Technical Specifications:</b> Engine with Hydraulic tappet[PI]
26	GU14030401	Balanceringsen cpl.li	2	<b>Technical Specifications:</b> Standard engine[STD]
27	GU91111511	Beslagring 15x18x43	4	
28	GU17034050	Registerbout	4	<b>Technical Specifications:</b> Standard engine[STD]
29	GU10034100	Moer	4	<b>Technical Specifications:</b> Standard engine[STD]
30	GU94322215	Veer	4	
31	GU90118152	Sluitring 15,2x26x1	8	
32	GU10032700	Sluitring 15,2x26x0,5	4	
33	GU12031800	Pin balancering	4	
34	GU98084316	Zeskantbout	4	
35	GU95120065	Sluitring 6,5x11x2	4	
36	GU01023560	Bedekking kop grijs	2	<b>Technical Specifications:</b> Spesial Sport Version[SS]
36	GU03023565	Bedekking kop goud	2	<b>Technical Specifications:</b> Aluminium version[AL]
37	GU14023760	Pakking bedekking	2	
38	GU98692325	Binnenzeskantbout M6x25	16	
39	GU95008206	Sluitring 6,15x11x0,8	16	
40	GU01941030	Bescherming bougie grijs	1	<b>Technical Specifications:</b> Aluminium version[AL], Standard engine[STD]
40	GU03941000	Bescherming bougie gl.	1	<b>Technical Specifications:</b> Spesial Sport Version[SS], Standard engine[STD]
40	GU03941055	Bescherming bougie	2	<b>Technical Specifications:</b> Engine with Hydraulic tappet[PI], Spesial Sport Version[SS]
40	GU03941065	Bescherming bougie grijs	2	<b>Technical Specifications:</b> Aluminium version[AL], Engine with Hydraulic tappet[PI]
41	GU01038730	Sluitring voor schijf	4	<b>Technical Specifications:</b> Engine with Hydraulic tappet[PI]
42	GU01037030	Schijf ond. 14,2x32x5	4	<b>Technical Specifications:</b> Engine with Hydraulic tappet[PI]

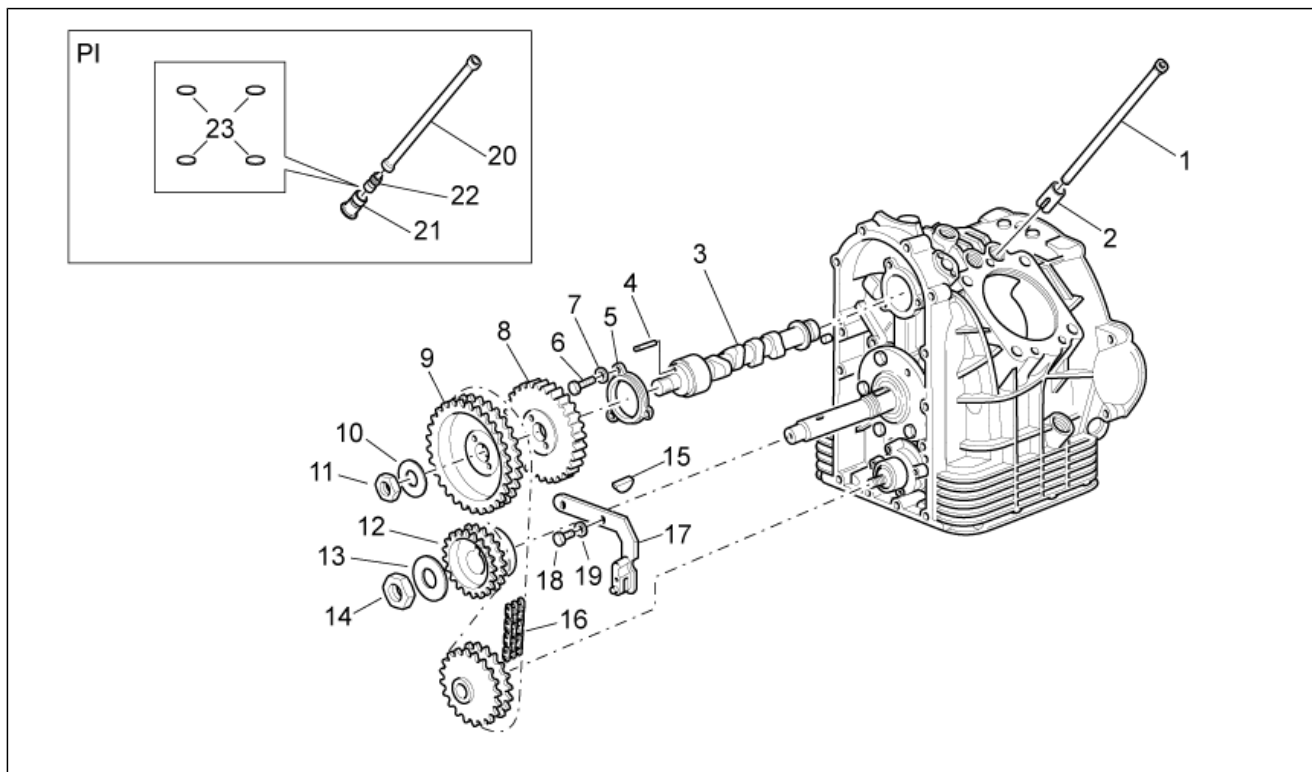
<b>Groep</b>	ENGINE
<b>Code</b>	34.03
<b>Beschrijving</b>	Crankshaft - Piston
<b>Revisie</b>	1



Pos.	Code	Beschrijving	Aant.	Varianten
1	GU03060130	Cilinder met zuiger	2	<b>Technical Specifications:</b> Standard engine[STD]
1	GU03060132	Cilinder met zuiger	2	<b>Technical Specifications:</b> Engine with Hydraulic tappet[PI]
2	GU98084420	Bout M8x20	8	
3	GU03060230	Zuiger cpl.	2	
4	GU30060660	Kit elastische banden	2	
5	GU30060760	Elast. band bov.	2	
6	GU30060960	Elastische tussenband	2	
7	GU30061060	Elast. band olieschraap	2	
8	GU30061241	Zuigerpen	2	
9	GU90351038	Blokkeerring	4	
10	GU14020865	Pakking	2	
11	GU90706094	OR-ring 9x2	4	
12	GU12021800	Stiftbout	4	
13	GU12021700	Stiftbout	8	
14	GU01061532	Drijfstang cpl.	2	
15	GU01062230	Bout drijfstang	4	
16	GU91112128	Beslagring	2	
17	GU01062030	Halfdop kussenblok	4	
17	GU01062031	Halfdop kussenblok min.0,254	4	
17	GU01062032	Halfdop kussenblok min.0,508	4	
17	GU01062033	Halfdop kussenblok min.0,762	4	
18	GU37064106	Drijfvas cpl.	1	
19	GU37065405	Dop	1	
20	GU03067030	Vliegwiel cpl.	1	
21	GU12067701	Bout	6	
22	GU14615901	Sluitering 8,4X13X0,8	14	
23	GU17067900	Kroon	1	
24	GU19025300	Antitriplaat	1	

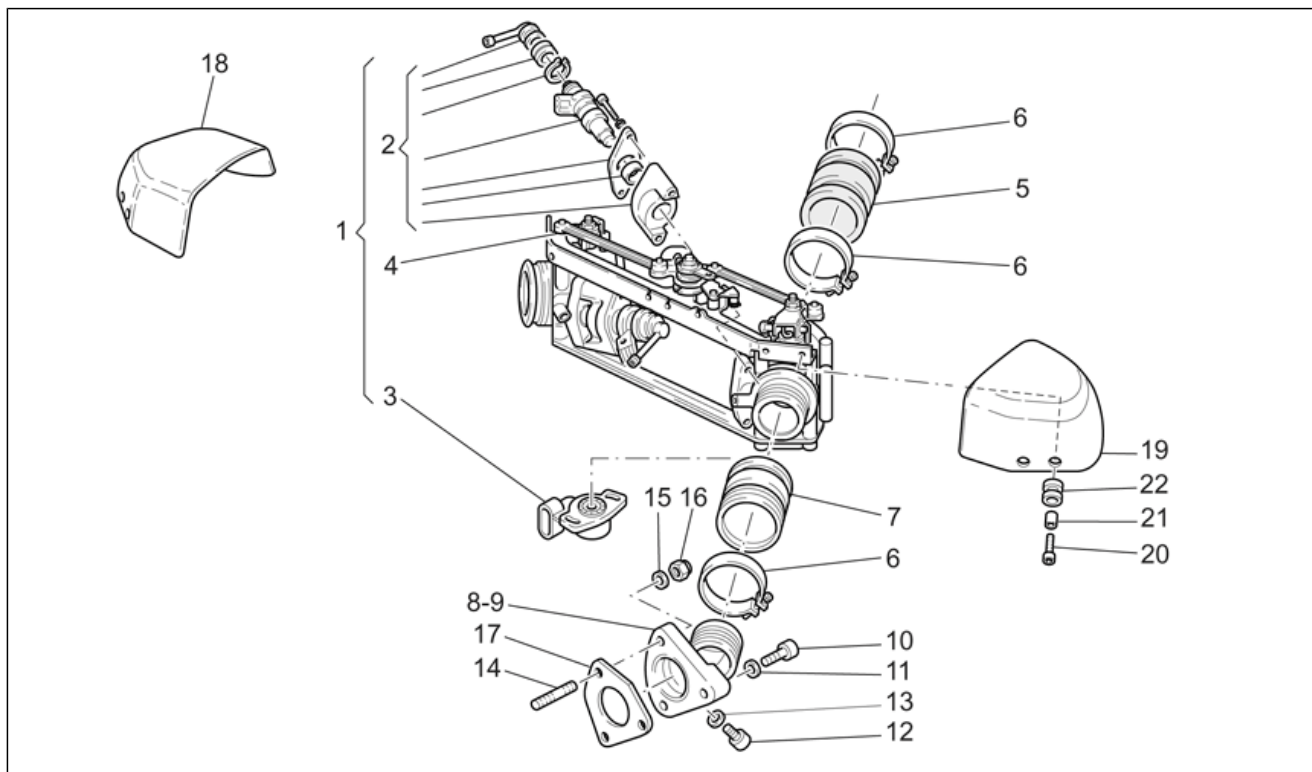


<b>Groep</b>	ENGINE
<b>Code</b>	34.04
<b>Beschrijving</b>	Timing system
<b>Revisie</b>	1



Pos.	Code	Beschrijving	Aant.	Varianten
1	GU37045006	Staaflanceringen	4	
2	GU17045860	Kleplicht.	4	
3	GU03053330	Nokkenas	1	<b>Technical Specifications:</b> Engine with Hydraulic tappet[PI]
3	GU29053351	Nokkenas	1	<b>Technical Specifications:</b> Standard engine[STD]
4	GU14234600	Plug	1	
5	GU01054000	Flens	1	
6	GU98084320	Zeskantbout M6x20	3	
7	GU95120065	Sluitring 6,5x11x2	3	
8	GU01051700	Geluidswiel	1	
9	GU01054500	Raderw.distrib.	1	
10	GU14433400	Elastische sluitring 19x34x1,5	1	
11	GU92750180	Moer M18	1	
12	GU14072001	Rondsel	1	
13	GU95100837	Sluitring 25,5x35x2	1	
14	GU92602525	Moer M25	1	
15	GU91702355	Sluitwig	1	
16	GU28058060	Ketting	1	
17	GU30057810	Kettingspanner	1	
18	GU98082435	Zeskantbout M8x35	2	
19	GU14615901	Sluitring 8,4X13X0,8	2	
20	GU03045030	Staafl	4	<b>Technical Specifications:</b> Engine with Hydraulic tappet[PI]
21	GU03045830	Bekertje kleplichter	4	<b>Technical Specifications:</b> Engine with Hydraulic tappet[PI]
22	GU03048230	Hydr. klepl.	4	<b>Technical Specifications:</b> Engine with Hydraulic tappet[PI]
23	GU03048330	Gekalibr. pastille	4	<b>Technical Specifications:</b> Engine with Hydraulic tappet[PI]

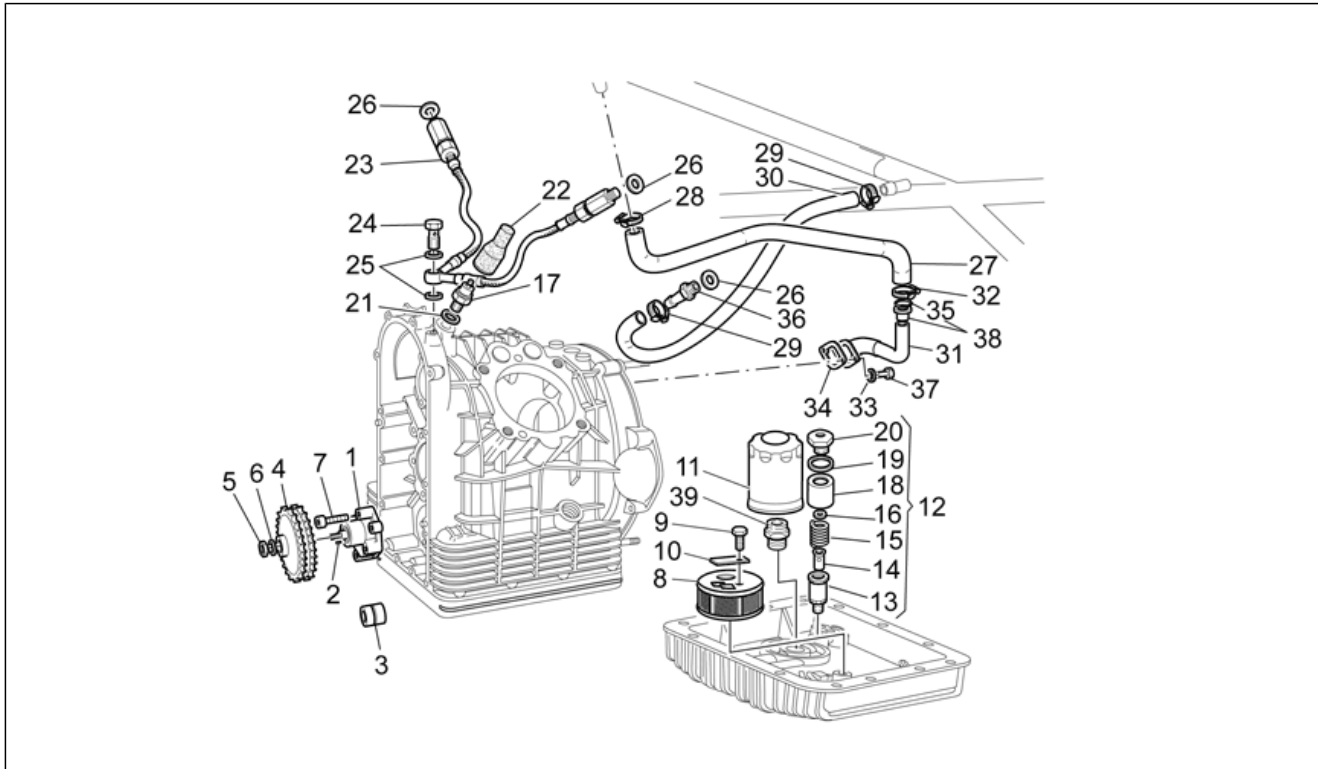
<b>Groep</b>	ENGINE
<b>Code</b>	34.06
<b>Beschrijving</b>	Throttle body
<b>Revisie</b>	1



Pos.	Code	Beschrijving	Aant.	Varianten
1	GU03112560	Groep smooklepuizen	1	
2	GU01530504	Injector cpl.	2	
3	GU01530500	Potentiometer	1	
4	GU29530562	Trekker	2	
5	GU30114470	Mof	2	
6	GU93305061	Klemmetje 61/65,5	8	
7	GU30114370	Mof	2	
8	GU30115070	Pijp aanz. re	1	
9	GU30115071	Pijp aanz. li	1	
10	GU98682325	Binnenzeskantbout M6x25	2	
11	GU14217901	Gekart. sluitring 6,4x10x0,7	2	
12	GU98310609	Bout M6x10	2	
13	GU95100116	Sluitring 6,25x10x1,5	2	
14	GU96506039	Stiftbout	4	
15	GU95008206	Sluitring 6,15x11x0,8	4	
16	GU92781062	Moer	4	
17	GU28115560	Pakking	2	
18	GU03113360	Bedekking re verchr.	1	Technical Specifications:Spezial Sport Version[SS]
18	GU03113365	Bedekking re grijs	1	Technical Specifications:Aluminium version[AL]
19	GU03113460	Bedekking li verchr.	1	Technical Specifications:Spezial Sport Version[SS]
19	GU03113465	Bedekking li grijs	1	Technical Specifications:Aluminium version[AL]
20	GU97202112	Bout	4	
21	GU91180408	Afstandhouder 4x6x8	4	
22	GU91551034	Rubbetje	4	

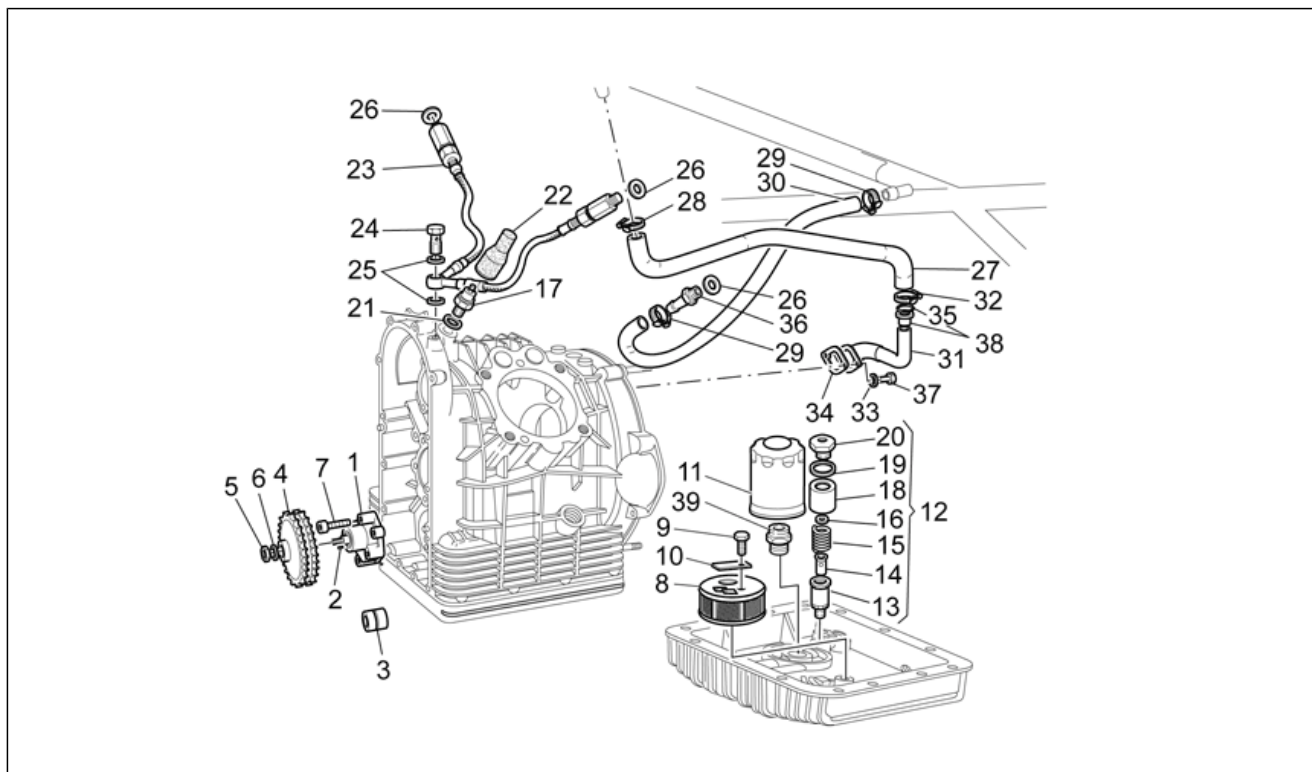


<b>Groep</b>	ENGINE
<b>Code</b>	34.09
<b>Beschrijving</b>	Supply - Oil pump
<b>Revisie</b>	1



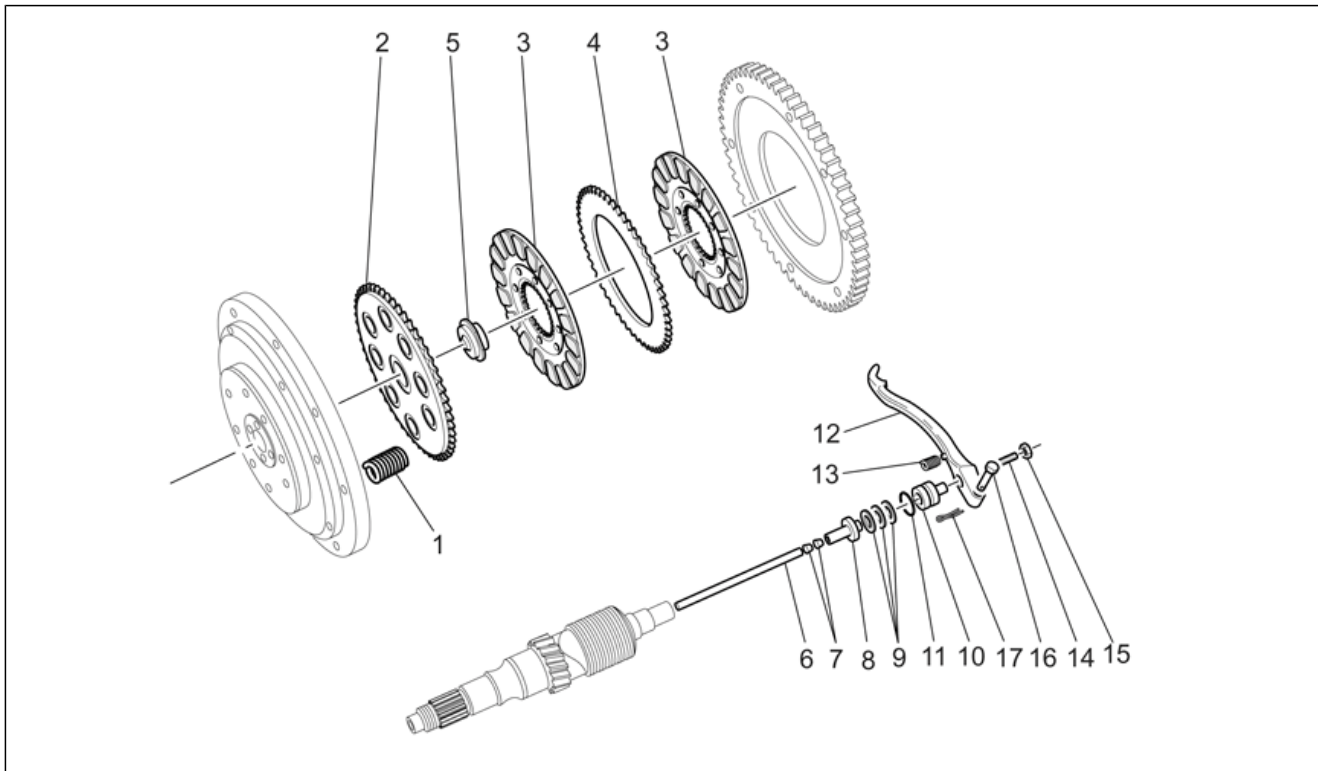
Pos.	Code	Beschrijving	Aant.	Varianten
1	GU30146400	Oliepomp	1	
2	GU13148300	Sluitwig	1	
3	GU92252210	Rollager 10x22x20	1	
4	GU30147700	Raderw.oliepomp	1	
5	GU92602308	Moer	1	
6	GU95120085	Elastische sluitring	1	
7	GU98682430	Binnenzeskantbout M8x30	4	
8	GU14152200	Oliefilter	1	
9	GU98084316	Zeskantbout	1	
10	GU95187006	Plaatje	1	
11	GU30153000	Oliefilter	1	
12	GU03158200	Klep oliedruk cpl.	1	
13	GU30158701	Romp klep	1	
14	GU30150900	Zuigertje	1	
15	GU94321079	Veer	1	
16	GU95008206	Sluitring 6,15x11x0,8	1	
17	GU17768750	Sensor oliedruk	1	
18	GU30158800	Plaatje	1	
19	GU18144350	Sluitring 18,25x24x1	1	
20	GU30159000	Dop	1	
21	GU12006400	Pakking in aluminium 12,25	1	
22	GU12717600	Kapje	1	
23	GU01153602	Leiding olietoevoer	1	
24	GU95990037	Bout	1	
25	GU12154200	Pakking 8,25x15x1	2	
26	GU25656102	Pakking in aluminium	4	
27	GU28157450	Buis	1	
28	GU28157850	Klemmetje	1	

<b>Groep</b>	ENGINE
<b>Code</b>	34.09
<b>Beschrijving</b>	Supply - Oil pump
<b>Revisie</b>	1



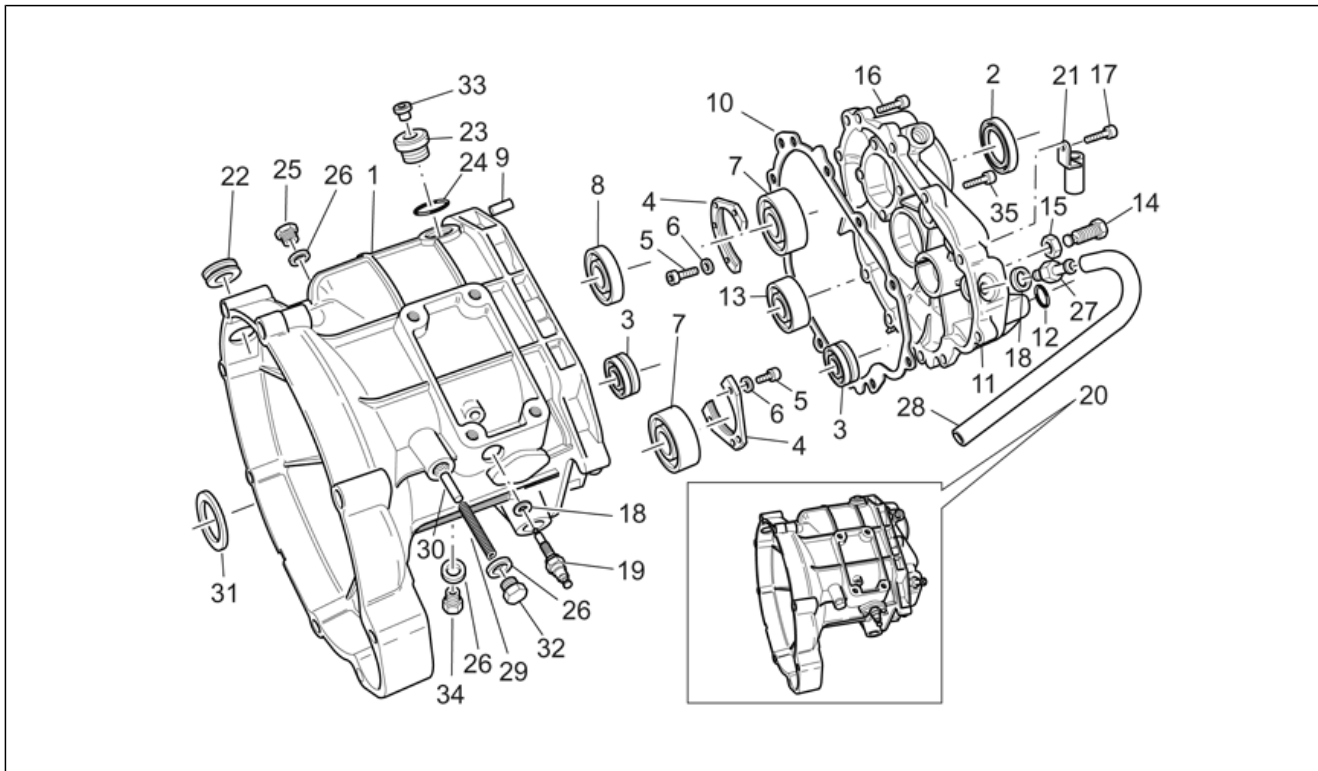
Pos.	Code	Beschrijving	Aant.	Varianten
29	GU93306017	Klemmetje	4	
30	GU00823956080	Rubberen buis 12,5X7,8 5/16"	1	
31	GU01007200	Ontluchtingsbuis	1	
32	GU12157800	Klemmetje	1	
33	GU95120065	Sluitring 6,5x11x2	2	
34	GU12007600	Pakking	1	
35	GU65061300	Blokkeerring	1	
36	GU28153960	Verbinding	2	
37	GU98084320	Zeskantbout M6x20	2	
38	GU28150560	Klep ontluchting olie	1	
39	GU30003800	Verbinding oliefilter	1	

<b>Groep</b>	ENGINE
<b>Code</b>	34.10
<b>Beschrijving</b>	Clutch
<b>Revisie</b>	1



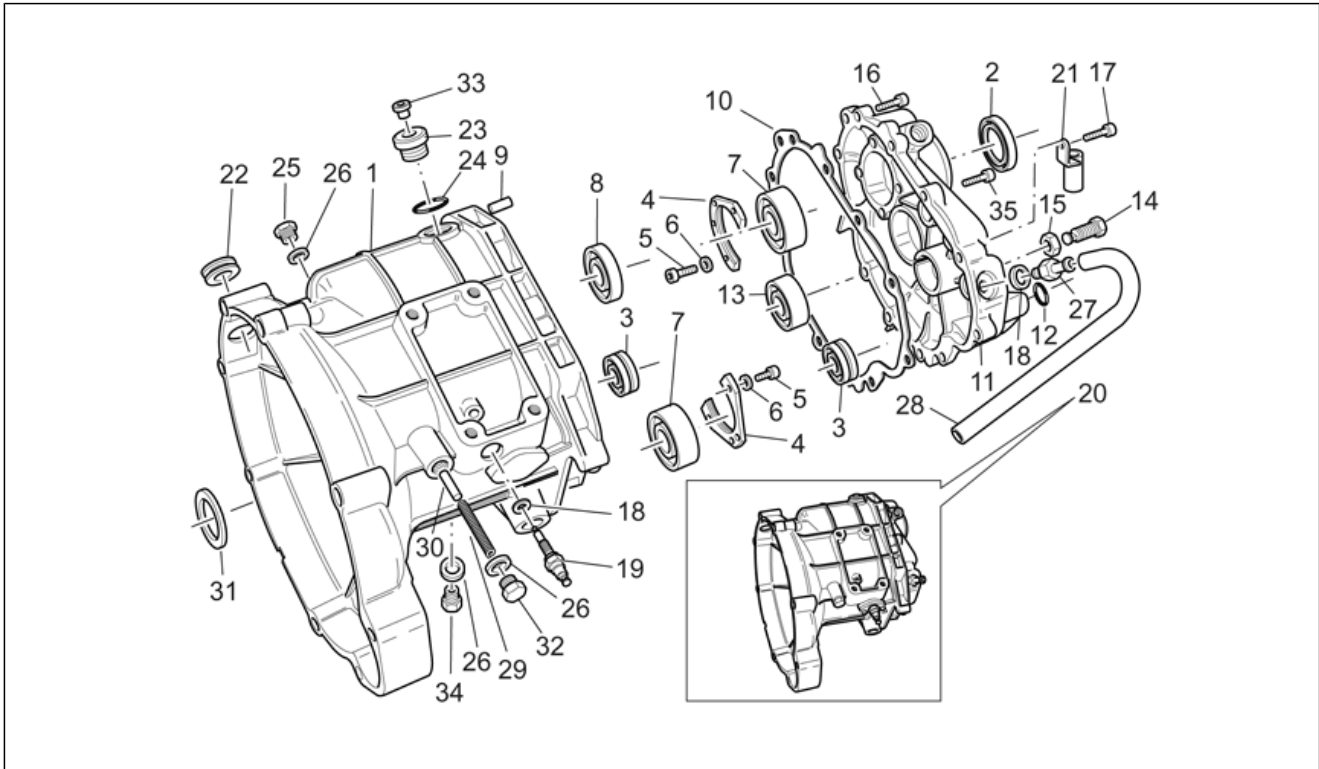
Pos.	Code	Beschrijving	Aant.	Varianten
1	GU13084100	Veer koppeling	8	
2	GU12082901	Schijf	1	
3	GU03084400	Koppelingsschijf cpl.	2	
4	GU12082300	Koppelingsschijf int.	1	
5	GU12082800	Plaatje	1	
6	GU14085700	Staaf	1	
7	GU14085900	Huls	2	
8	GU14086000	Tussenromp	1	
9	GU12087001	Lager drukst.	1	
10	GU14086100	Externe romnp	1	
11	GU90706170	O-ring 17,13x2,62	1	
12	GU14090202	Ontkoppelingshendel koppeling	1	
13	GU94321105	Trekveer hendel	1	
14	GU14090400	Registerbout	1	
15	GU92606508	Moer	1	
16	GU95780271	Plug 7x39	1	
17	GU95500222	Splitpen	1	

<b>Groep</b>	ENGINE
<b>Code</b>	34.11
<b>Beschrijving</b>	Transmission cage
<b>Revisie</b>	1



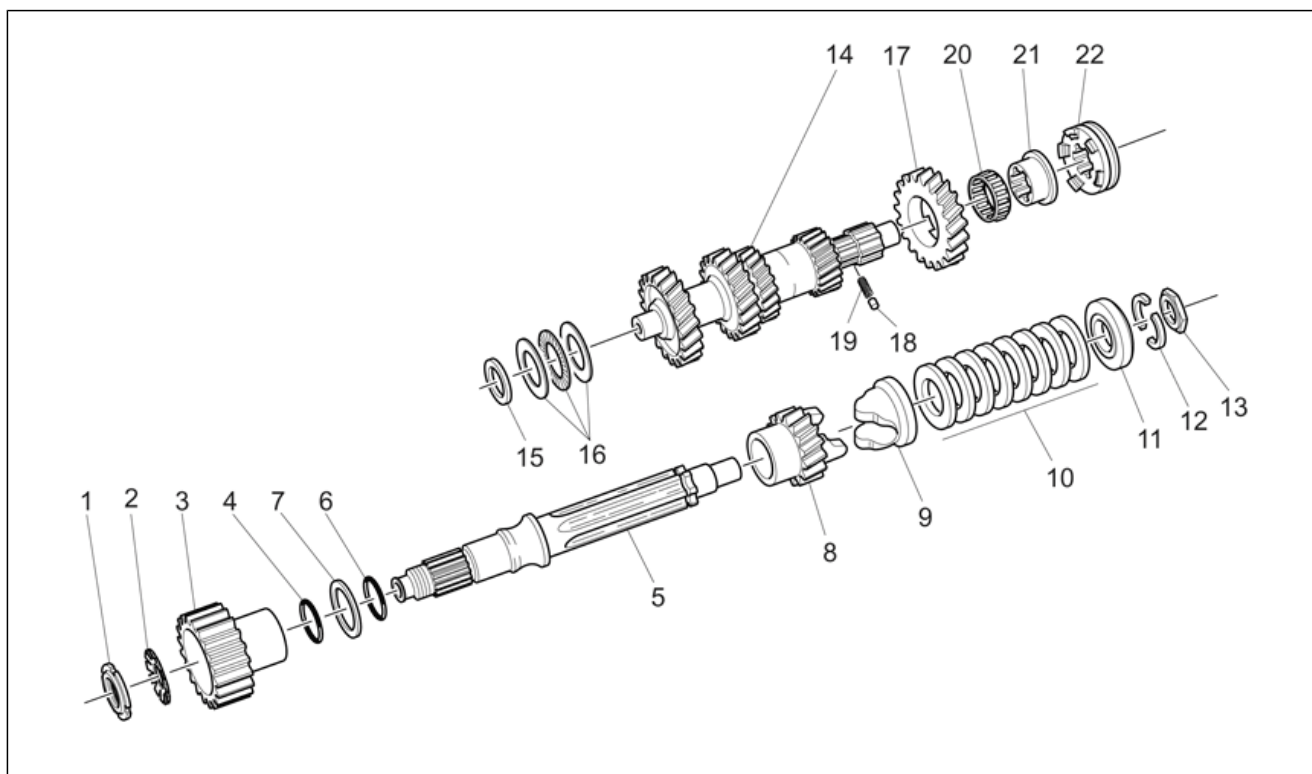
Pos.	Code	Beschrijving	Aant.	Varianten
1	GU03200260	Doos versn.bak zwart	1	
2	GU90403547	Dichtingsring 35x47x7	1	
3	GU92256218	Rollager 17x35x15	2	
4	GU14213803	Plaat	2	
5	GU98682316	Binnenzeskantbout M6x16	6	
6	GU14217901	Gekart. sluitring 6,4x10x0,7	6	
7	GU92218424	Kogellager AF/AS 25x52	2	
8	GU92234717	Rollager AS 17x47x14	1	
9	GU95512081	Plug	2	
10	GU14201110	Pakking	1	
11	GU03200860	Bedekking doos zwart	1	
12	GU90706140	O-ring 13,95x2,92	1	
13	GU92201417	Kogellager AP 17x47x14	1	
14	GU14237800	Bout	1	
15	GU92606512	Moer laag M12x1,25	1	
16	GU98682325	Binnenzeskantbout M6x25	9	
17	GU98680335	Binnenzeskantbout M6x35	1	
18	GU12154200	Pakking 8,25x15x1	3	
19	GU19207220	Sensor vrij	1	
20	GU03991560	Versn.bak cpl.zwart	1	Technical Specifications: BORLETTI instruments[BOR]
20	GU03991570	Versn.bak cpl.zwart	1	Technical Specifications: ITI instruments[ITI]
21	GU30424660	Steun	1	
22	GU93180220	Dop	1	
23	GU12022600	Oliedop	1	
24	GU90706203	OR-ring 20,24X2,62	1	
25	GU95980214	Dop oliepeil	1	
26	GU01528930	Pakking 10x18x1,5	3	
27	GU14204955	Klep ontluchting olie	1	

<b>Groep</b>	ENGINE
<b>Code</b>	34.11
<b>Beschrijving</b>	Transmission cage
<b>Revisie</b>	1



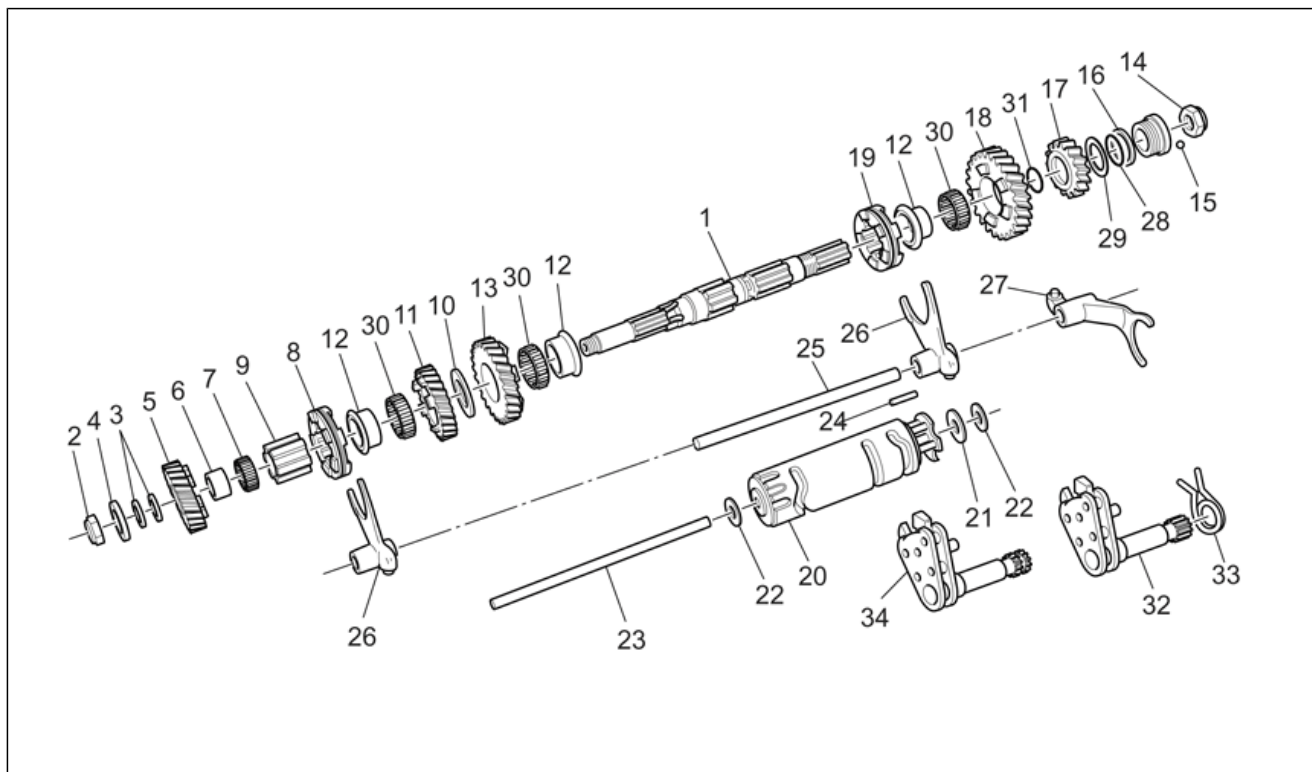
Pos.	Code	Beschrijving	Aant.	Varianten
28	GU00823956080	Rubberen buis 12,5X7,8 5/16"	1	
29	GU94321067	Trekveer hendel	1	
30	GU28234700	Sluithaak	1	
31	GU90403548	Dichtingsring 35x47x7/6,5	1	
32	GU95980610	Dop	1	
33	GU93180245	Dop	1	
34	GU31003766	Afvoerdop olie M10x1	1	
35	GU98822325	Bout	1	

<b>Groep</b>	ENGINE
<b>Code</b>	34.12
<b>Beschrijving</b>	Primary gear shaft
<b>Revisie</b>	1



Pos.	Code	Beschrijving	Aant.	Varianten
1	GU93601022	Moer	1	
2	GU95028022	Sluitring 22x20x3,9	1	
3	GU30081810	Romp int.koppeling	1	
4	GU90706235	O-ring 23,52x1,78	1	
5	GU14210702	Koppelingsas	1	
6	GU90706203	OR-ring 20,24X2,62	1	
7	GU14218401	Sluitring verspr.olie 25,1x36x0,5	1	
8	GU03211160	Raderw. overbrenging Z=17	1	
9	GU03211260	Mof	1	
10	GU04211500	Bekerveer	8	
11	GU03211660	Schijf	1	
12	GU12211700	Halfring	2	
13	GU14219401	Dikte	1	
14	GU14210513	Primaire as	1	
15	GU18211050	Schraapring sp.2	1	
15	GU18211051	Schraapring sp.2,1	1	
15	GU18211052	Schraapring sp.2,2	1	
15	GU18211054	Schraapring sp.2,4	1	
16	GU92258525	Rollager	1	
17	GU03212000	Raderwerk 5a AP 5 inn.Z=28	1	
18	GU92296750	Rol	1	
19	GU94321051	Veer	1	
20	GU92251030	Rollenkooi 30x35x13	1	
21	GU14212210	Huls 5a AP	1	
22	GU30231525	Schuifmof	1	

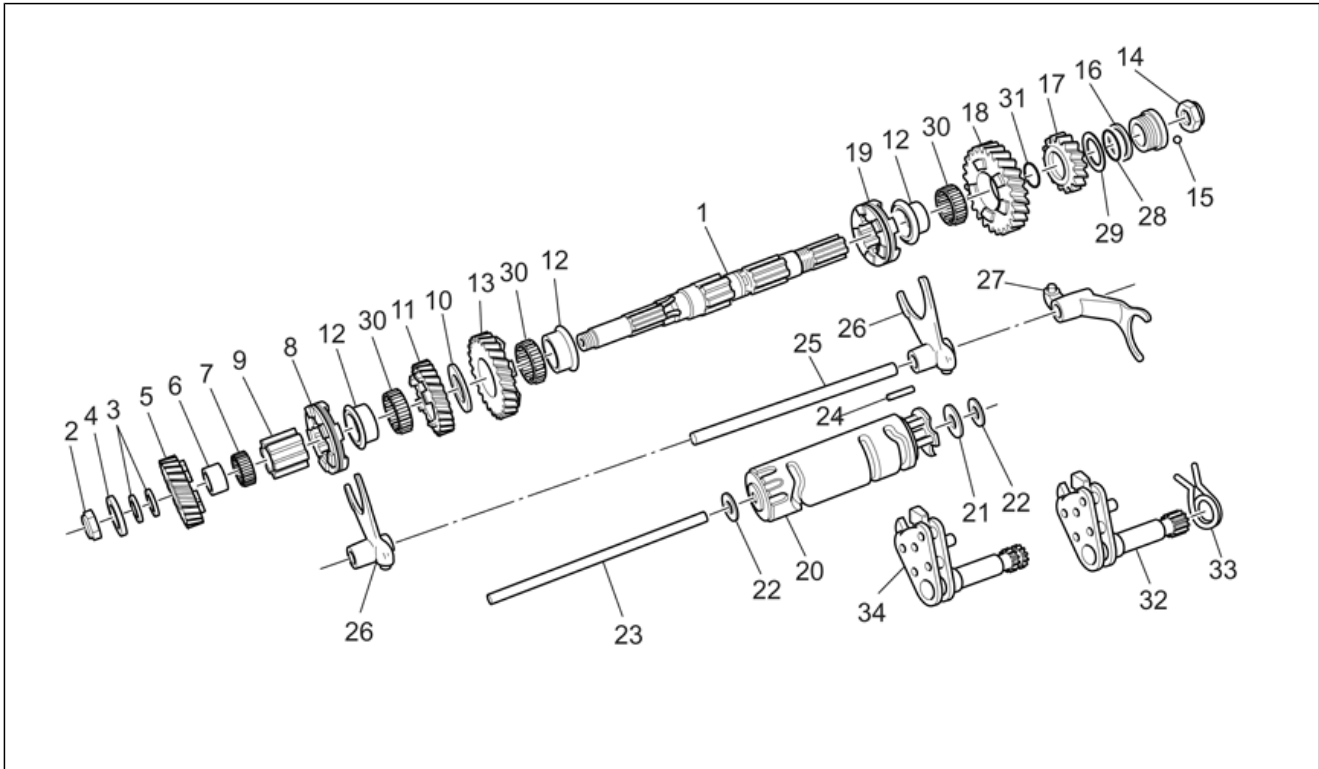
<b>Groep</b>	ENGINE
<b>Code</b>	34.13
<b>Beschrijving</b>	Driven shaft
<b>Revisie</b>	1



Pos.	Code	Beschrijving	Aant.	Varianten
1	GU14213612	Secundaire as	1	
2	GU14217410	Moer	1	
3	GU43083810	Sluitring regel. 17,25x27x0,5	2	
4	GU14215400	Steunende sluitring 17,1x30	1	
5	GU03215100	Raderwerk 4a AS 5 inn.Z=20	1	
6	GU92259017	Ring 4a	1	
7	GU92251022	Rollenkooi 4a A.S.	1	
8	GU30231025	Mof 3a-4a AS 5 inn.	1	
9	GU14232512	Mof	1	
10	GU14218011	Sluitring 25x40x3	1	
11	GU03214800	Raderwerk 3a AS 5 inn.Z=22	1	
12	GU14213001	Huls 1a-2a-3a AS	2	
13	GU03214500	Raderwerk 2a AS 5 inn.Z=25	1	
14	GU14219310	Moer	1	
15	GU92295702	Bol	1	
16	GU14217300	Sluitring 22,1x32x2	1	
17	GU14215213	Raderwerk 5a AS Z=21	1	
18	GU30214225	Raderwerk 1a AS 5 inn.Z=28	1	
19	GU30230725	Schuifmof 1a-2aAS5 inn	1	
20	GU03234400	Shift cam	1	
21	GU14235500	Sluitring 8,2x28x1	1	
22	GU55235000	Sluitring regel. 0,6 mm	2	
22	GU55235001	Sluitring regel. 0,8 mm	2	
22	GU55235002	Sluitring regel. 1 mm	2	
22	GU55235003	Sluitring regel. 1,2 mm	2	
23	GU14234300	Staaf	3	
24	GU14234600	Plug	1	
25	GU14232400	Staaf	4	

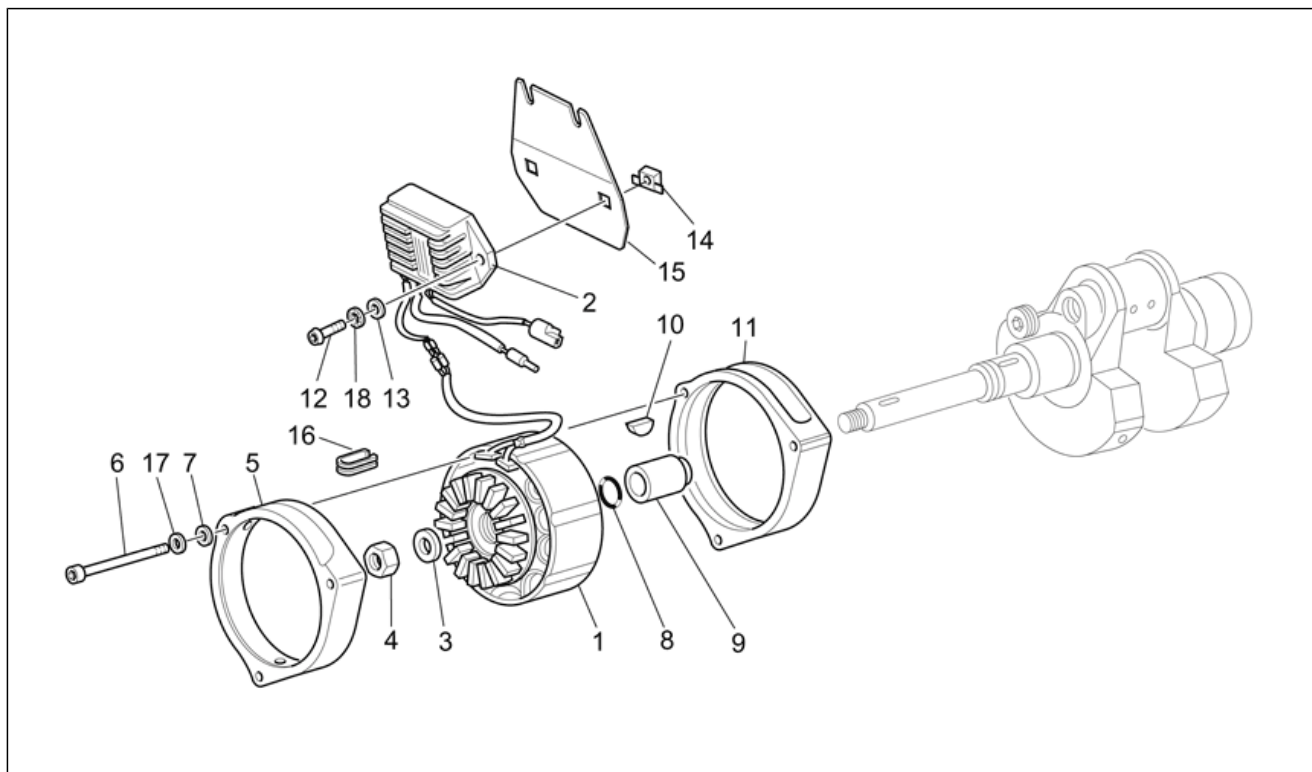


<b>Groep</b>	ENGINE
<b>Code</b>	34.13
<b>Beschrijving</b>	Driven shaft
<b>Revisie</b>	1



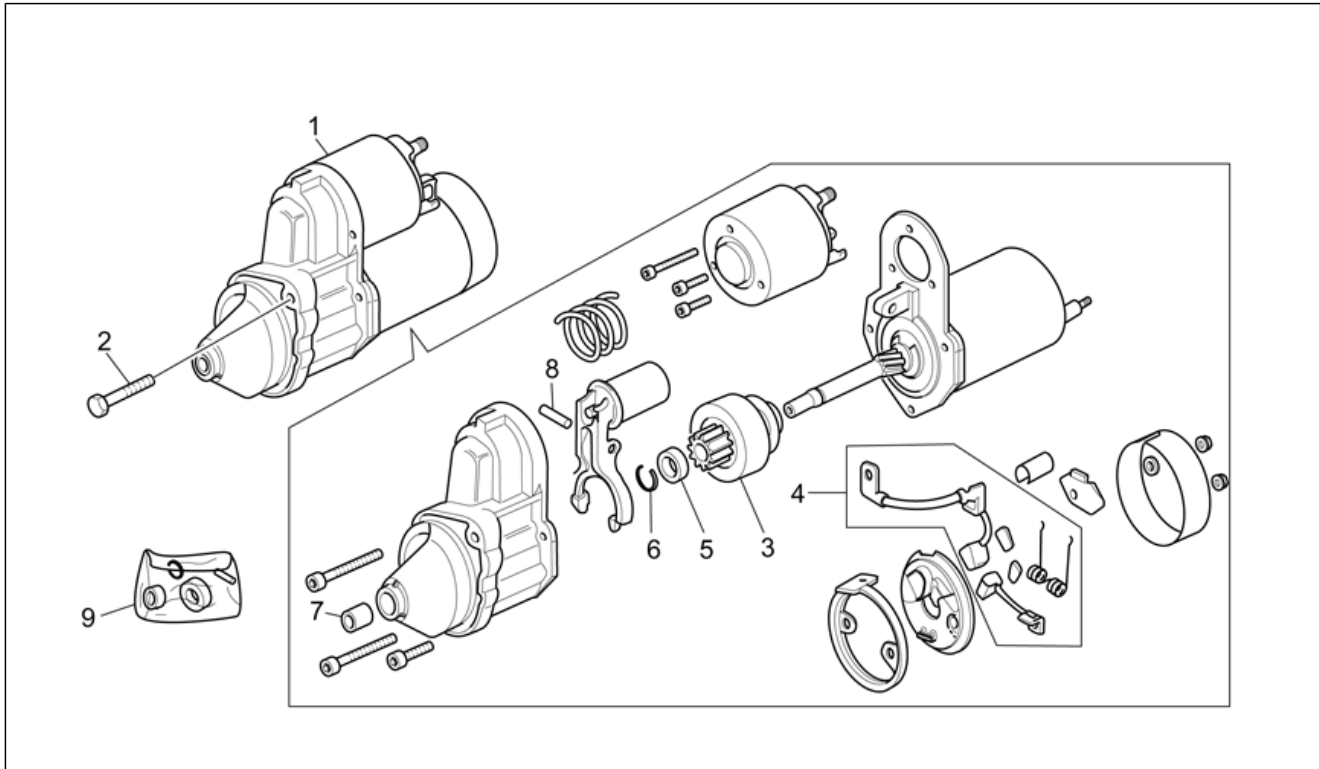
Pos.	Code	Beschrijving	Aant.	Varianten
26	GU14230501	Vork 1a-2a-3a-4a	2	
27	GU14231201	Vork	1	
28	GU90706219	O-ring 21,95x1,78	1	
29	GU28217350	Sluitring	1	
30	GU92251030	Rollenkooi 30x35x13	3	
31	GU90706203	OR-ring 20,24X2,62	1	
32	GU28236260	Voorschakelaar cpl.	1	<b>Technical Specifications:</b> Up to engine number KD 180333[M1]
33	GU28238261	Trekveer schakelaar	1	
34	GU03236250	Voorschakelaar cpl.	1	<b>Technical Specifications:</b> From engine number KD 180334[M2]

<b>Groep</b>	ENGINE
<b>Code</b>	34.37
<b>Beschrijving</b>	Generator - Regulator
<b>Revisie</b>	1



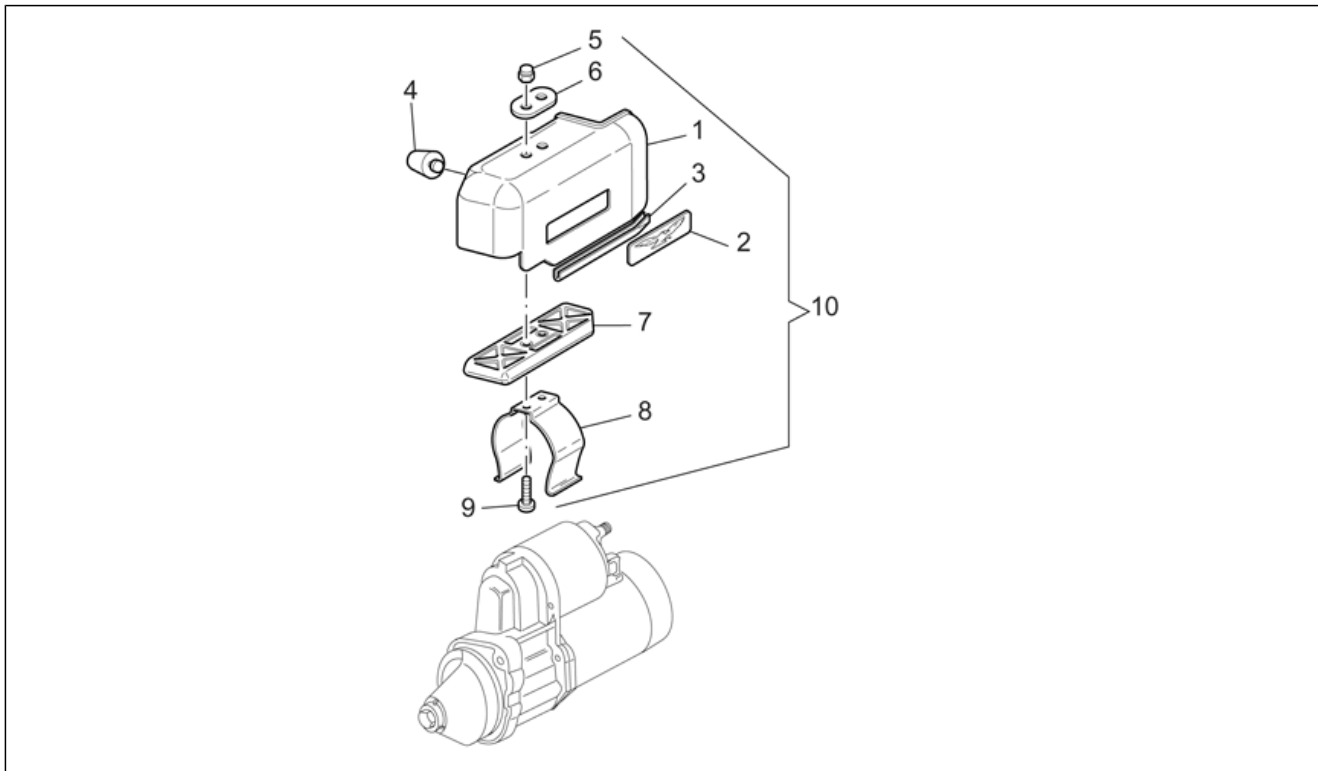
Pos.	Code	Beschrijving	Aant.	Varianten
1	GU37712405	Alternator	1	
2	GU37703805	Spanningsregelaar	1	
3	GU30714201	Sluitring 16,25x24,5x5	1	
4	GU92606516	Moer M16	1	
5	GU29711460	Kap voor.	1	
6	GU98680265	Binnenzeskantbout	3	
7	GU29217960	Sluitring 5,9X3X0,8	3	
8	GU90706178	OR-ring 17,86X2,62	1	
9	GU37712306	Afstandhouder	1	
10	GU91600450	Sluitwig	1	
11	GU29711960	Kap acht.	1	
12	GU98682318	Binnenzeskantbout	2	
13	GU95008306	Sluitring 6,4x12x1,2	2	
14	GU92660601	Moer in kooi	2	
15	GU29704060	Steunplaat	1	
16	GU19007700	Rubbertje	1	
17	GU14615901	Sluitring 8,4X13X0,8	2	
18	GU14217901	Gekart. sluitring 6,4x10x0,7	2	

<b>Groep</b>	ENGINE
<b>Code</b>	34.38
<b>Beschrijving</b>	Starter motor I
<b>Revisie</b>	1



Pos.	Code	Beschrijving	Aant.	Varianten
1	GU30730711	Startmotor Valeo	1	
2	GU98082475	Zeskantbout M8x75	2	
3	GU30530510	Rondsel cpl.	1	
4	GU30530511	Kit borstels	1	
5	0000000	Bedekking	1	
6	0000000	Bedekking	1	
7	0000000	Bedekking	1	
8	0000000	Bedekking	1	
9	GU30530512	Kit revisie startmotor	1	

<b>Groep</b>	ENGINE
<b>Code</b>	34.39
<b>Beschrijving</b>	Starter motor II
<b>Revisie</b>	1



Pos.	Code	Beschrijving	Aant.	Varianten
1	GU03733300	Bedekking start	1	<b>Technical Specifications:</b> Spesial Sport Version[SS]
1	GU03733365	Bedekking start staal	1	<b>Technical Specifications:</b> Aluminium version[AL]
2	GU01517700	Plaat "Aquila"	1	
3	GU00823931080	Pakking PVC	1	
4	GU93180577	Rubbertje	1	
5	GU92787205	Moer blind	2	
6	GU03436300	Plaatje	1	
7	GU03733000	Afstandhouder isolatie	1	
8	GU03733400	Klemmetje	1	
9	GU03733500	Bout	2	
10	GU03733200	Kit bedekking verchr.	1	<b>Technical Specifications:</b> Spesial Sport Version[SS]
10	GU03733265	Kit bedekking staal	1	<b>Technical Specifications:</b> Aluminium version[AL]